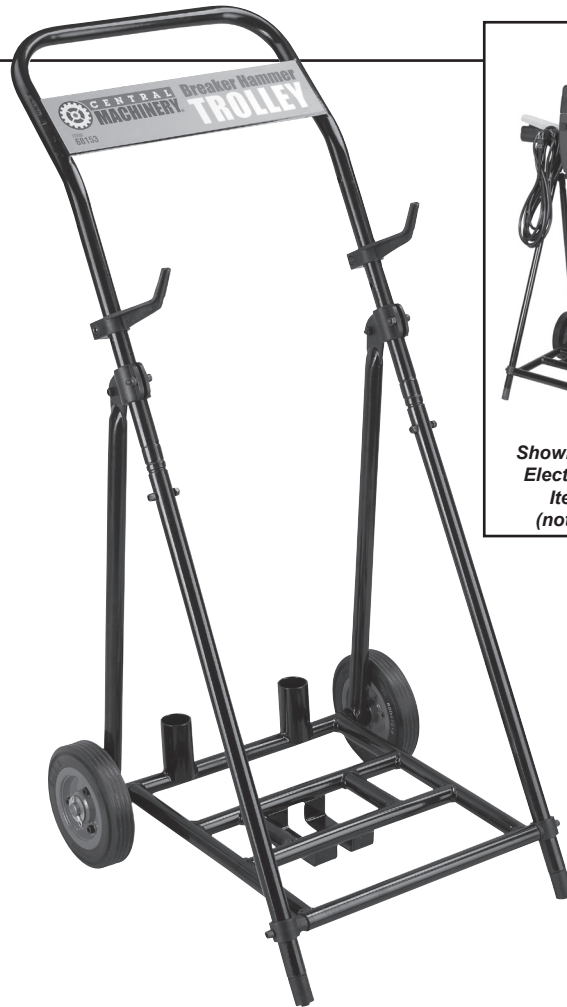




Hand Trolley

Item 68153



⚠ WARNING

Read this material before using this product.
Failure to do so can result in serious injury.
SAVE THIS MANUAL.

When unpacking, make sure that the product is intact and undamaged.
If any parts are missing or broken, please call 1-800-444-3353 as soon as possible.

Visit our website at: <http://www.harborfreight.com>

Copyright© 2010 by Harbor Freight Tools®. All rights reserved. No portion of this manual or any artwork contained herein may be reproduced in any shape or form without the express written consent of Harbor Freight Tools. Diagrams within this manual may not be drawn proportionally. Due to continuing improvements, actual product may differ slightly from the product described herein. Tools required for assembly and service may not be included.

Manual Revised 11b

Specifications

Dimensions	38" L x 17-1/2" W
Usage	Holder for Item 68147 Electric Hammer

Important SAFETY Information

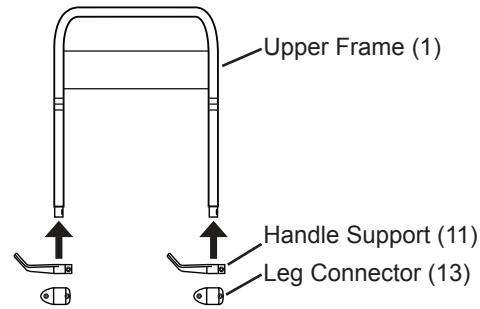
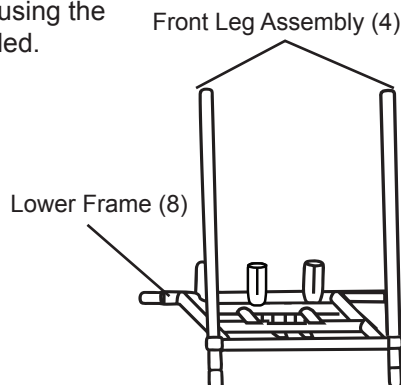
1. Assemble only according to these instructions. Improper assembly can create hazards.
2. Use as intended only. Only use the Hand Trolley to transport the 68147 Electric Hammer.
3. Wear ANSI-approved safety goggles and heavy-duty work gloves during assembly.
4. Keep assembly area clean and well lit.
5. Keep bystanders out of the area during assembly.
6. Use on dry, level and hard surface only.
7. Do not assemble when tired or when under the influence of drugs or medication.
8. This product is not a toy. Do not allow children to play with or near this item.
9. Inspect before every use; do not use if parts are loose or damaged.
10. Maintain product labels and nameplates. These carry important safety information. If unreadable or missing, contact Harbor Freight Tools for a replacement.

Assembly Instructions

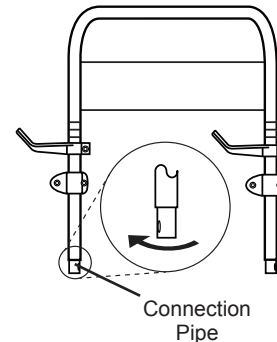


Read the **ENTIRE IMPORTANT SAFETY INFORMATION** section at the beginning of this document including all text under subheadings therein before set up or use of this product.

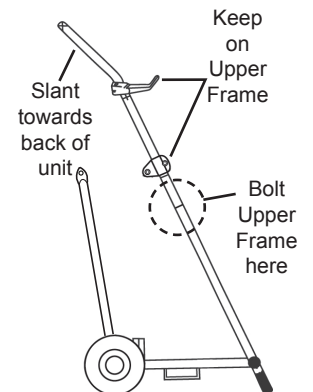
1. Slide the bottoms of the Front Leg Assembly (4) into the front mounting holes on the Lower Frame (8) and fasten together using the hardware provided.



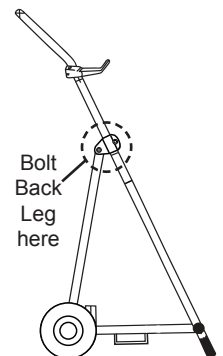
2. Slide a Handle Support (11) and Leg Connector (13) onto each end of the Upper Frame (1).



3. Rotate the connection pipe inside the Upper Frame so the holes will line up with the holes in the Front Leg Assembly.
4. Position the Upper Frame so that it slants towards the back of the unit. Keeping the Handle Support and Leg Connector on the Upper Frame, fasten the Upper Frame to the Front Leg Assembly using the hardware.



5. Slide the Back Leg (3) ends into the Leg Connectors on the Upper Frame and fasten together using the hardware.



6. Adjust the Handle Support and Leg Connection locations by sliding them up or down the Upper Frame.
7. Fully tighten all connections along the Frame.
8. Slide the Wheels (7) onto the axle on the back of the Lower Frame. Fasten in place using the Flat Washer (6) and Split Pin (5).

Operation

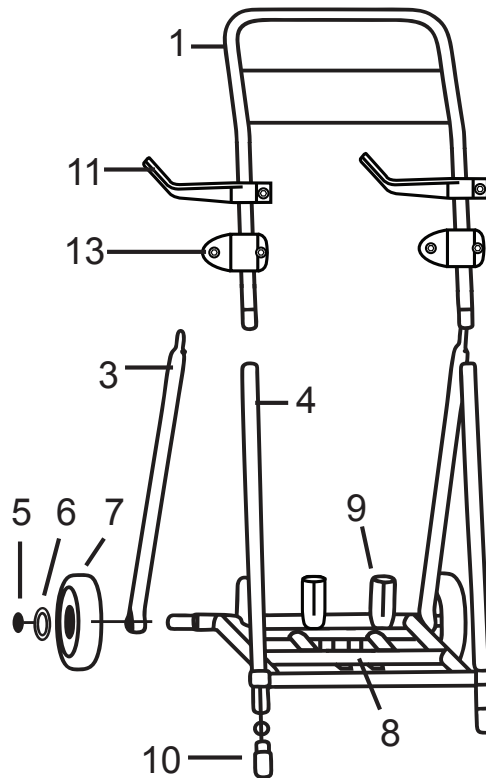


Read the **ENTIRE IMPORTANT SAFETY INFORMATION** section at the beginning of this document including all text under subheadings therein before set up or use of this product.

1. Make sure the Handle Supports are securely fastened in place before setting a tool on the Trolley.
2. When setting a tool on the Trolley, make sure it is centered with the tool's handles resting on the Supports and the tool's Chisel inserted into one of the Tool Sockets.
3. Wind up power cord of tool.

Parts List & Assembly Diagram

Part	Description	Qty
1	Upper Frame	1
3	Back Leg	2
4	Front Leg Assembly	2
5	Split Pin	2
6	Flat Washer	2
7	Wheel	2
8	Lower Frame	1
9	Tool Socket	2
10	Pad	2
11	Handle Support	2
13	Leg Connector	2



Record Product's Serial Number Here: _____

Note: If product has no serial number, record month and year of purchase instead.

Note: Some parts are listed and shown for illustration purposes only, and are not available individually as replacement parts.

PLEASE READ THE FOLLOWING CAREFULLY

THE MANUFACTURER AND/OR DISTRIBUTOR HAS PROVIDED THE PARTS LIST AND ASSEMBLY DIAGRAM IN THIS DOCUMENT AS A REFERENCE TOOL ONLY. NEITHER THE MANUFACTURER OR DISTRIBUTOR MAKES ANY REPRESENTATION OR WARRANTY OF ANY KIND TO THE BUYER THAT HE OR SHE IS QUALIFIED TO MAKE ANY REPAIRS TO THE PRODUCT, OR THAT HE OR SHE IS QUALIFIED TO REPLACE ANY PARTS OF THE PRODUCT. IN FACT, THE MANUFACTURER AND/OR DISTRIBUTOR EXPRESSLY STATES THAT ALL REPAIRS AND PARTS REPLACEMENTS SHOULD BE UNDERTAKEN BY CERTIFIED AND LICENSED TECHNICIANS, AND NOT BY THE BUYER. THE BUYER ASSUMES ALL RISK AND LIABILITY ARISING OUT OF HIS OR HER REPAIRS TO THE ORIGINAL PRODUCT OR REPLACEMENT PARTS THERETO, OR ARISING OUT OF HIS OR HER INSTALLATION OF REPLACEMENT PARTS THERETO.

Limited 90 Day Warranty

Harbor Freight Tools Co. makes every effort to assure that its products meet high quality and durability standards, and warrants to the original purchaser that this product is free from defects in materials and workmanship for the period of 90 days from the date of purchase. This warranty does not apply to damage due directly or indirectly, to misuse, abuse, negligence or accidents, repairs or alterations outside our facilities, criminal activity, improper installation, normal wear and tear, or to lack of maintenance. We shall in no event be liable for death, injuries to persons or property, or for incidental, contingent, special or consequential damages arising from the use of our product. Some states do not allow the exclusion or limitation of incidental or consequential damages, so the above limitation of exclusion may not apply to you. THIS WARRANTY IS EXPRESSLY IN LIEU OF ALL OTHER WARRANTIES, EXPRESS OR IMPLIED, INCLUDING THE WARRANTIES OF MERCHANTABILITY AND FITNESS.

To take advantage of this warranty, the product or part must be returned to us with transportation charges prepaid. Proof of purchase date and an explanation of the complaint must accompany the merchandise. If our inspection verifies the defect, we will either repair or replace the product at our election or we may elect to refund the purchase price if we cannot readily and quickly provide you with a replacement. We will return repaired products at our expense, but if we determine there is no defect, or that the defect resulted from causes not within the scope of our warranty, then you must bear the cost of returning the product.

This warranty gives you specific legal rights and you may also have other rights which vary from state to state.



3491 Mission Oaks Blvd. • PO Box 6009 Camarillo, CA 93011 • (800) 444-3353