

U.S. GENERAL[®]

18 GALLON OIL DRAIN

MODEL 94122

ASSEMBLY AND OPERATING INSTRUCTIONS



3491 Mission Oaks Blvd., Camarillo, CA 93011
Visit our Web site at <http://www.harborfreight.com>

Copyright © 2006 by Harbor Freight Tools®. All rights reserved. No portion of this manual or any artwork contained herein may be reproduced in any shape or form without the express written consent of Harbor Freight Tools.

For technical questions, please call 1-800-444-3353.

PRODUCT SPECIFICATIONS

Item	Description
Maximum Holding Capacity	18 Gallons.
Funnel Dimensions	17" Diameter x 10" Deep. 1-1/2" Diameter Drain.
Tank Dimensions	18" Diameter x 26 1/4" High.
Barrel Pump Port	2 1/4" DIA, 13 TPI standard barrel pump mount opening.
Adjustable Height	36" Minimum Height / 70" Maximum Height.
Waste Drain Dimensions	2 1/2" O.D. 3/4" standard thread
Net Weight	22.8 Pounds.

SAVE THIS MANUAL

You will need this manual for the safety warnings and precautions, assembly, operating, inspection, maintenance and cleaning procedures, parts list and assembly diagram. Keep your invoice with this manual. Write the invoice number on the inside of the front cover. Keep this manual and invoice in a safe and dry place for future reference.

UNPACKING



When unpacking, check to make sure all the parts shown in the Parts List on page 8 are included. If any parts are missing or broken, please call Harbor Freight Tools at the number shown on the cover of this manual as soon as possible.

GENERAL SAFETY WARNINGS AND PRECAUTIONS

1. **Keep work area clean and dry.** Cluttered, damp, or wet work areas invite injuries.
2. **Keep children away from work area.** Do not allow children to handle this product.
3. **Store idle equipment.** When not in use, tools and equipment should be stored in a dry location to inhibit rust. Always lock up tools and equipment, and keep out of reach of children.

4. **Do not use this product if under the influence of alcohol or drugs.** Read warning labels on prescriptions to determine if your judgement or reflexes are impaired while taking drugs. If there is any doubt, do not attempt to use this product.
5. **Use eye protection.** Wear ANSI-approved safety impact eye goggles when using this product. ANSI-approved safety impact eye goggles are available from Harbor Freight Tools.
6. **Dress safely.** Do not wear loose clothing or jewelry, as they can become caught in moving parts. Wear a protective hair covering to prevent long hair from becoming caught in moving parts.
7. **Do not overreach.** Keep proper footing and balance at all times to prevent tripping, falling, back injury, etcetera.
8. **Industrial applications must follow OSHA requirements.**
9. **Stay alert.** Watch what you are doing at all times. Use common sense. Do not use this product when you are tired or distracted from the job at hand.
10. **Check for damaged parts.** Before using this product, carefully check that it will operate properly and perform its intended function. Check for damaged parts and any other conditions that may affect the operation of this product. Replace or repair damaged or worn parts immediately.
11. **Replacement parts and accessories:** When servicing, use only identical replacement parts. Only use accessories intended for use with this product. Approved accessories are available from Harbor Freight Tools.
12. **Maintain this product with care.** Keep this product clean and dry during storage for better and safer performance. For your safety, service and maintenance should be performed regularly by a qualified technician.
13. **Use the right equipment for the job.** Do not attempt to force small equipment to do the work of a larger industrial tool. There are certain applications for which this equipment was designed. It will do the job better and more safely at the rate for which it was intended. Do not modify this equipment, and do not use this equipment for a purpose for which it was not intended.
14. **WARNING!** The warnings, precautions, and instructions discussed in this manual cannot cover all possible conditions and situations that may occur. The operator must understand that common sense and caution are factors, which cannot be built into this product, but must be supplied by the operator.

SPECIFIC PRODUCT WARNINGS AND PRECAUTIONS

1. **Make sure the Oil Drain is used only on a dry, oil/grease free, flat, level, ground surface capable of supporting the weight of the unit and contents.**
2. **Do not work under the vehicle without proper support devices.**
3. **Prior to using the Oil Drain Dolly, make sure to read and understand all warnings, safety precautions, and instructions as outlined in the vehicle manufacturer's and the support device's instruction manuals.**
4. **Do not allow anyone in the vehicle while using the Oil Drain.** Keep all bystanders a safe distance away from the vehicle.
5. **Avoid burns.** Allow the engine oil to completely cool before draining the oil into the Oil Drain Dolly.
6. **Do not leave the Oil Drain unattended when operating or evacuating oil.**
7.  **Never use the Oil Drain near open flames or heat sources.**
8. **Make sure to remove the Oil Drain and all other tools and equipment before lowering the vehicle to the floor surface.**
9.  **Follow guidelines for engine oil disposal.** Used engine oil should be removed from the vehicle and properly disposed of or recycled. Many states require recycling. Contact your local solid/liquid waste authority for information on recycling and/or disposal.
10. Oil contains hazardous chemicals which may be harmful to the environment and hazardous to your health.

UNPACKING

When unpacking your Oil Drain, check to make sure that the parts shown on the assembly diagram at the end of the manual are included. If any parts are missing or broken, please call **HARBOR FREIGHT TOOLS** at **1-800-444-3353**.

ASSEMBLY

NOTE: Please refer to the Assembly Diagram on page 8 for the following assembly instructions.

1. Insert Funnel (2) into the Upper Tube (3) and secure it using two Screws (1).
2. Connect the Upper Tube (3) to the Lower Tube (4). Secure it using a Bolt (9), a Washer (10), and a Nut (11).
3. Put the Lower Tube (4) into the Tank (6). Tighten the Adjusting Clamp (5), securing the Lower Tube (4) in place.

OPERATION

WARNING! Make sure the vehicle is properly and securely raised on the lift before raising the Oil Drain into place. Follow all safety precautions outlined in this manual and the vehicle's manual.

1. To operate the Oil Drain, slightly unscrew the Adjustable Clamp (5) and allow the two tubes and the Funnel (2) to slide downward to the lowest position.
2. Move the 18 Gallon Oil Drain under the raised vehicle, making sure the Funnel (2) is positioned directly below the oil drain plug of the engine.
3. Raise the Upper Tube (3) and Funnel (2) until the Funnel (2) sits approximately 4" directly below the oil drain plug of the engine. Then, tighten the Adjustable Clamp (5) to hold the Upper Tube, Lower Tube and the Funnel in place.
4. Remove the oil drain plug of the engine, and allow the old oil to completely drain from the engine into the Funnel (2) of the 18 Gallon Oil Drain.
(See Assembly. Diagram. Page 8)
5. Once the old engine oil is completely drained, replace the oil drain plug of the engine and refill, if needed.
6. When emptying the old oil from the Tank (6) of the Oil Drain, make sure to follow guidelines for engine oil disposal. If necessary, contact your local solid/liquid waste authority for information on recycling and/or disposal.

INSPECTION, MAINTENANCE, AND CLEANING

1. **Before each use**, inspect the general condition of the Oil Drain. Check for broken or bent parts, loose or missing parts, and any condition that may affect the proper operation of the product. If a problem occurs, have the problem corrected before further use. **Do not use damaged equipment.**

2. **When cleaning**, use a clean cloth with a detergent or mild solvent. Then, store the Oil Drain in a safe and dry location.

PLEASE READ THE FOLLOWING CAREFULLY

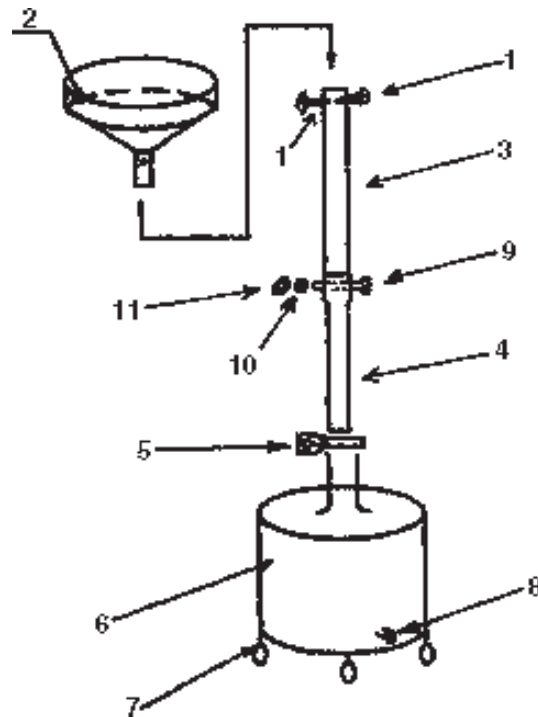
THE MANUFACTURER AND/OR DISTRIBUTOR HAS PROVIDED THE PARTS LIST AND ASSEMBLY DIAGRAM IN THIS MANUAL AS A REFERENCE TOOL ONLY. NEITHER THE MANUFACTURER OR DISTRIBUTOR MAKES ANY REPRESENTATION OR WARRANTY OF ANY KIND TO THE BUYER THAT HE OR SHE IS QUALIFIED TO MAKE ANY REPAIRS TO THE PRODUCT, OR THAT HE OR SHE IS QUALIFIED TO REPLACE ANY PARTS OF THE PRODUCT. IN FACT, THE MANUFACTURER AND/OR DISTRIBUTOR EXPRESSLY STATES THAT ALL REPAIRS AND PARTS REPLACEMENTS SHOULD BE UNDERTAKEN BY CERTIFIED AND LICENSED TECHNICIANS, AND NOT BY THE BUYER. THE BUYER ASSUMES ALL RISK AND LIABILITY ARISING OUT OF HIS OR HER REPAIRS TO THE ORIGINAL PRODUCT OR REPLACEMENT PARTS THERETO, OR ARISING OUT OF HIS OR HER INSTALLATION OF REPLACEMENT PARTS THERETO.

PARTS LIST

Part	Description	Qty.
1	Screw	2
2	Funnel	1
3	Upper Tube	1
4	Lower Tube	1
5	Adjustable Clamp	1
6	Tank	1

Part	Description	Qty.
7	Caster	4
8	Valve	1
9	Long Bolt	1
10	Washer	2
11	Nut	1

ASSEMBLY DIAGRAM



NOTE: Some parts are listed and shown for illustration purposes only, and are not available individually as replacement parts.

U.S. GENERAL® LIMITED 90 DAY WARRANTY

Harbor Freight Tools Co. makes every effort to assure that its products meet high quality and durability standards, and warrants to the original purchaser that this product is free from defects in materials and workmanship for the period of 90 days from the date of purchase. This warranty does not apply to damage due directly or indirectly, to misuse, abuse, negligence or accidents, repairs or alterations outside our facilities, or to lack of maintenance. We shall in no event be liable for death, injuries to persons or property, or for incidental, contingent, special or consequential damages arising from the use of our product. Some states do not allow the exclusion or limitation of incidental or consequential damages, so the above limitation of exclusion may not apply to you. THIS WARRANTY IS EXPRESSLY IN LIEU OF ALL OTHER WARRANTIES, EXPRESS OR IMPLIED, INCLUDING THE WARRANTIES OF MERCHANTABILITY AND FITNESS.

To take advantage of this warranty, the product or part must be returned to us with transportation charges prepaid. Proof of purchase date and an explanation of the complaint must accompany the merchandise. If our inspection verifies the defect, we will either repair or replace the product at our election or we may elect to refund the purchase price if we cannot readily and quickly provide you with a replacement. We will return repaired products at our expense, but if we determine there is no defect, or that the defect resulted from causes not within the scope of our warranty, then you must bear the cost of returning the product.

This warranty gives you specific legal rights and you may also have other rights which vary from state to state.

3491 Mission Oaks Blvd. • PO Box 6009 • Camarillo, CA 93011 • (800) 444-3353