

CENTRAL PNEUMATIC®

AIR FILE

W/4-PIECE FILE SET

MODEL 1704

ASSEMBLY AND OPERATING INSTRUCTIONS



Due to continuing improvements, actual product may differ slightly from product described herein.



3491 Mission Oaks Blvd. Camarillo, CA 93011
Visit our Web site at <http://www.harborfreight.com>

Copyright© 2006 by Harbor Freight Tools®. All rights reserved. No portion of this manual or any artwork contained herein may be reproduced in any shape or form without the express written consent of Harbor Freight Tools.

For technical questions and replacement parts, please call 1-800-444-3353.

SPECIFICATIONS

Housing material	Machined and heat-treated carbon steel
Working pressure	90 P.S.I.
Overall dimensions	8-5/8"L X 2"W X 1-7/8"H (With Hanging Loop)
Handle grip style	Contoured steel housing
Air Consumption	4.0 C.F.M.
File mounting method	6MM (1/4") fixed chuck with a 3MM (1/8") head fastener
Activation Method	2 position slider
Strokes per minute	3,700
Length of Key Stroke	3/8"
Air inlet dimensions	1/4" - 18 NPT female
File material	High carbon steel
File styles	Round, half-round, flat and triangle
Hex Wrench	Included

SAVE THIS MANUAL

You will need this manual for the safety warnings and precautions, assembly, operating, inspection, maintenance and cleaning procedures, parts and assembly diagram. Keep your invoice with this manual. Write the invoice number on the inside of the front cover. Write the product serial number in the back of the manual near the assembly diagram, or write the month and year of purchase if the product has no serial number. Keep this manual and invoice in a safe and dry place for future reference.

WARNINGS AND PRECAUTIONS GENERAL AND SPECIFIC TO THIS PRODUCT

1. **Wear proper clothing.** Always use ANSI-approved safety impact goggles when assembling or using this Air File. Wear long sleeved shirts, long pants and hard-toed shoes. Take off any loose fitting jewelry and keep long hair covered to prevent being caught in moving parts.
2. **Wear proper breathing protection.** Remember that a "dust mask" is not a breathing respirator. Use a Respirator that uses charcoal filters for the best protection.
3. **Keep work area clean and well lighted.** A dim and/or cluttered work area invites personal injury.
4. **Keep children away from work areas.** Children can be a distraction and should be supervised by an adult when near the work area. **Never allow children to play with this product even if it is turned off.**
5. **Store idle tools properly.** Keep this Air File out of the reach of children.
6. **Do not use the Air File if under the influence of alcohol or prescription drugs.** Doing so may cause damage to the tool, or personal injury. Do not use this or any tool if you are tired. Use common sense at all times.
7. **Check for damaged parts.** Before using this Air File, carefully check for any parts that may be missing or damaged and any other conditions that may affect the operation of this tool. Replace or repair damaged and worn parts immediately using only a qualified repair facility.

8. **Always use the proper tools.** This Air File was designed for a specific task. Do not alter this tool, or use it for a purpose for which it was not intended.
9. **Be careful when connecting/disconnecting air supply.** It is recommended to use quick disconnects (not included) rather than screw-on air connections.
10. **Avoid accidental starts.** Be sure all Files are securely fastened in this Air File before plugging in or turning on Air Supply.
11. **Use compressed air only.** Clean, dry regulated compressed air at 90 PSI. Never use oxygen, carbon dioxide, combustible gases, or any other bottled gas as a power source for this tool.
12. **Always disconnect air supply when this tool is not being used.**
13. **Use only Files that come with this Tool.** Using or altering another file for use with this tool could cause personal injury.

WARNING: Some dust created by power sanding, sawing, grinding, drilling and other construction activities contains chemicals known [to the State of California] to cause cancer, birth defects or other reproductive harm. Some examples of these chemicals are: Lead from lead based paint, crystalline silica from bricks and cement or other masonry products, and arsenic and chromium from chemically treated lumber. Your risk from these exposures varies depending on how often you do this type of work. To reduce your exposure to these chemicals: Work in a well ventilated area, Work with approved safety equipment such as dust masks that are specifically designed to filter out microscopic particles. (California Health & Safety Code § 25249.5, *et seq.*)

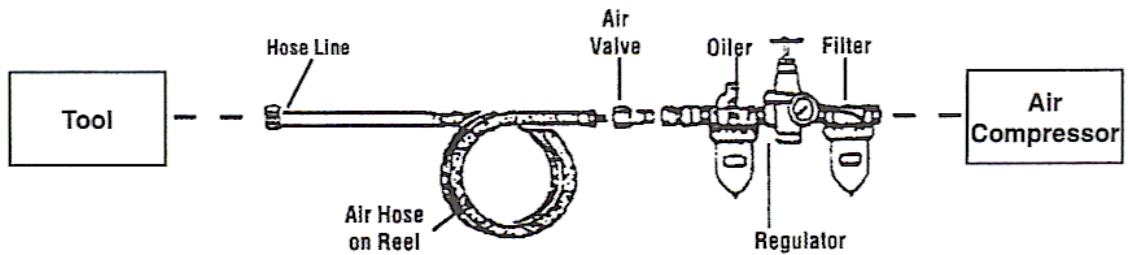
NOTE: The warnings, cautions, and instructions discussed in this instruction manual cannot cover all possible conditions and situations that may occur. It must be understood by the operator that common sense and caution are factors that cannot be built into this product but must be supplied by the operator.

NOTE: READ ALL INSTRUCTIONS BEFORE USING THIS PRODUCT

UNPACKING

When unpacking, check to be sure that all parts listed on page 5 of this manual are included. If any parts are missing or broken, please call Harbor Freight Tools® at 1-800-444-3353 as soon as possible.

SETUP



Recommended Air Line Components (Air Line Components not included)

NOTE: For best service, you should incorporate an oiler, regulator, and inline filter, as shown in the diagram above. Hoses, couplers, oilers, regulators, and filters are all available at Harbor Freight Tools.

If you are not using an automatic oiler system, before operation, add a few drops of Pneumatic Tool Oil to the airline connection. Add a few drops more after each hour of continual use.

1. You will need to prepare a 1/4" air connector (not included) to connect to the Inlet Base Cap (15) on the Air File. First wrap the 1/4" air connector with pipe thread seal tape (not included) before threading it into the inlet. Connect the 3/8" ID Air Source Hose (not included) to a quick disconnect coupler (not included) and then to the Air File.
2. Set the air pressure on the regulator (not included) to 90 PSI. **Do not exceed the recommended air pressure of 90 PSI.**
3. **Check the air connection for leaks. Disconnect from the air source.**

ASSEMBLY

1. Using the Hex Wrench (17), slide the File (18) you wish to work with into the Guide Key (2) located at the front of the Air File Housing (1) and tighten Set Screw (9) which you will find just at the bottom of the front section of the Air File Housing (1). **Do not over tighten.** See **Figure 1**.

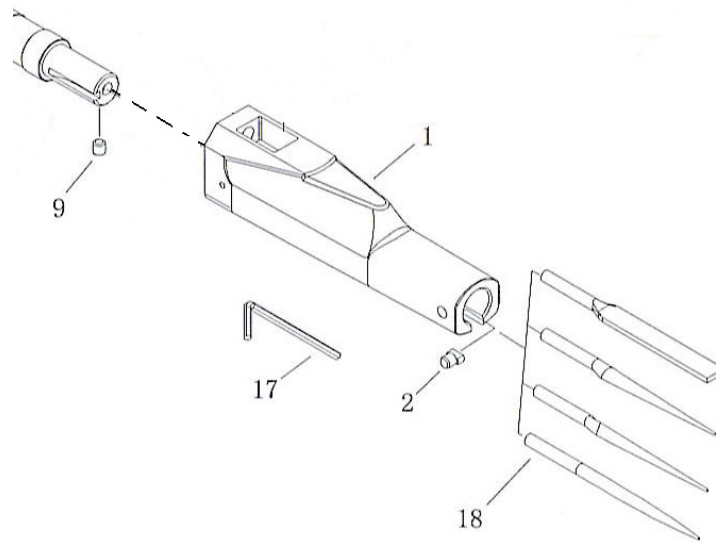


Figure 1

2. Attach air supply to the Air Inlet Base Cap (15) of the Air File Housing (1), using either a quick disconnect (recommended, but not included), or by simply screwing the air supply to the Air Inlet Base Cap (15) of the Air File Housing (1) just in front of the Loop Hanger (16). See **Figure 2**.

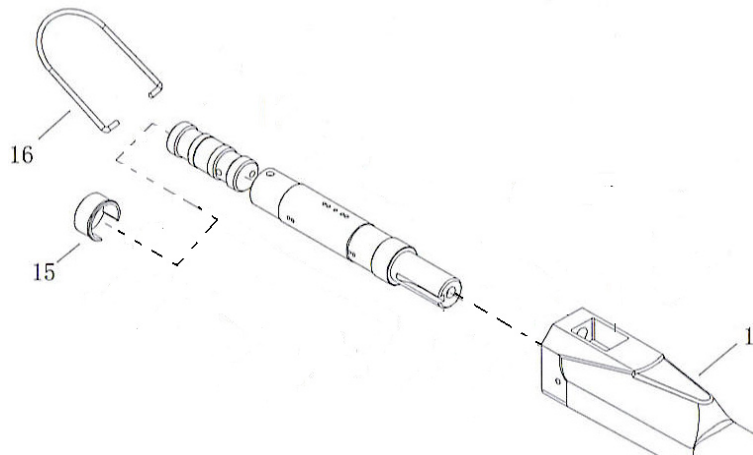


Figure 2

OPERATION

1. With proper file inserted in the Air File, and with the air supply turned on, carefully place the file against the piece of work you are filing.
2. Carefully open the Slider Valve (4) located on top of the Air Drill Housing (1).
3. Start with even strokes and light pressure. Never force the Air File against the surface you are working with. Easy, light touches will work best.

INSPECTION, MAINTENANCE, AND CLEANING

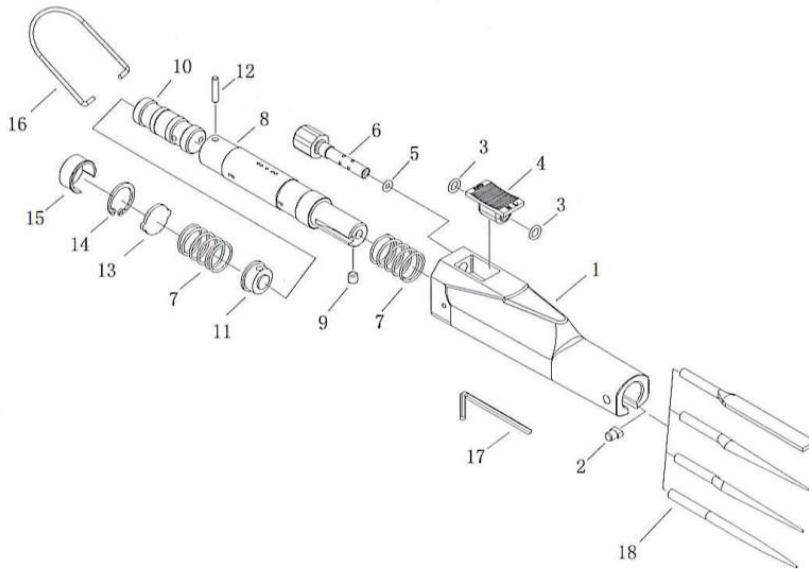
1. **Always make sure the Slider Valve (4) is in its “OFF” position, and disconnect the Air File from its compressed air supply before performing any inspection, adjustments, maintenance, or cleaning.**
2. **Before each use, inspect the general condition of the Air File.** Check for loose screws, misalignment or binding of moving parts, cracked or broken parts, damaged air hose, and any other condition that may affect its safe operation. If abnormal noise or vibration occurs, have the problem corrected before further use. **Do not use damaged equipment.**
3. **Daily:** With a clean cloth, remove all dirt, oil, and grease from the Air File. If necessary, you may use a mild detergent. Do not use solvents, as damage to the Air File may occur. Do not immerse the Air File in any liquids.

PARTS LIST AND DIAGRAM

No#	Description	Qty	No#	Description	Qty
1	Air File Housing	1	10	Piston	1
2	Guide Key	1	11	Plug	1
3	O-Ring (Large)	2	12	Spring	1
4	Slider Valve	1	13	Filter	1
5	O-Ring (Small)	1	14	Retaining Ring	1
6	Valve Nipple	1	15	Air Inlet Base Cap	1
7	Spring	2	16	Loop Hanger	1
8	Cylinder	1	17	Hex Wench	1
9	Set Screw	1	18	Files	4

NOTE: Some parts are listed for illustration purposes only, and are not available individually as replacement parts.

DIAGRAM



ATTACH RECEIPT OR COPY OF RECEIPT TO THIS PAGE

Write Serial Number, if available, or Model Number and Purchase

Date Here _____, _____.

90 DAY WARRANTY

Harbor Freight Tools Co. makes every effort to assure that its products meet high quality and durability standards, and warrants to the original purchaser that this product is free from defects in materials and workmanship for the period of 90 days from the date of purchase. This warranty does not apply to damage due directly or indirectly, to misuse, abuse, negligence or accidents, repairs or alterations outside our facilities, criminal activity, improper installation, normal wear and tear, or to lack of maintenance. We shall in no event be liable for death, injuries to persons or property, or for incidental, contingent, special or consequential damages arising from the use of our product. Some states do not allow the exclusion or limitation of incidental or consequential damages, so the above limitation of exclusion may not apply to you. This warranty is expressly in lieu of all other warranties, express or implied, including the warranties of merchantability and fitness.

To take advantage of this warranty, the product or part must be returned to us with transportation charges prepaid. Proof of purchase date and an explanation of the complaint must accompany the merchandise. If our inspection verifies the defect, we will either repair or replace the product at our election or we may elect to refund the purchase price if we cannot readily and quickly provide you with a replacement. We will return repaired products at our expense, but if we determine there is no defect, or that the defect resulted from causes not within the scope of our warranty, then you must bear the cost of returning the product.

This warranty gives you specific legal rights and you may also have other rights which vary from state to state.

3491 Mission Oaks Blvd. • PO Box 6009 • Camarillo, CA 90311 • (800) 444-3353