

BENCH GRINDER STAND

Model 03184

ASSEMBLY and OPERATING INSTRUCTIONS



3491 Mission Oaks Blvd., Camarillo, CA 93011
Visit our Web site at <http://www.harborfreight.com>

Copyright © 2002 by Harbor Freight Tools®. All rights reserved. No portion of this manual or any artwork contained herein may be reproduced in any shape or form without the express written consent of Harbor Freight Tools .

For technical questions and replacement parts, please call 1-800-444-3353

Specifications

Overall Height	32"
Base Dimensions	18-7/8" x 19-3/4"
Seat Dimensions	7-7/8" x 8-3/4"
Tool Tray Dimensions	1-15/16" Deep x 12-1/2" x 13-3/8"
Weight	19.15 Lbs.
Mounting Holes	.47" X .78" - Fits Harbor Freight Tools Grinders #39797, #39798, #37822, #37823

Save This Manual

You will need the manual for the safety warnings and precautions, assembly instructions, operating and maintenance procedures, parts list and diagram. Keep your invoice with this manual. Write the invoice number on the inside of the front cover. Keep the manual and invoice in a safe and dry place for future reference.

Safety Warnings and Precautions

WARNING: When using the Grinder Stand, basic safety precautions should always be followed to reduce the risk of personal injury and damage to equipment.

Read all instructions before using this Grinder Stand!

1. **Keep work area clean.** Cluttered areas invite injuries.
2. **Observe work area conditions.** Do not use the Grinder Stand in damp or wet locations. Don't expose to rain. Keep work area well lighted. Do not use electrically powered tools in the presence of flammable gases or liquids.
3. **Keep children away.** Children must never be allowed in the work area. Do not let them play with the Grinder Stand or the attached grinder (not included).
4. **Store idle equipment.** When not in use, the Grinder Stand must be stored in a dry location to inhibit rust. Always lock up the Grinder Stand and the attached grinder (not included).
5. **Use the right product for the job.** Do not attempt to force a small product or attachment to do the work of a larger industrial product. There are certain applications for which this product was designed. It will do the job better and more safely at the rate for which it was intended. Do not modify this product and do not use this product for a purpose for which it was not intended.
6. **Dress properly.** Do not wear loose clothing or jewelry as they can be caught in moving parts. Protective, electrically non-conductive clothes and non-skid footwear are recommended when working. Wear restrictive hair covering to contain long hair.
7. **Use eye and ear protection.** Always wear ANSI approved impact safety goggles. Wear a full face shield if you are producing metal filings or wood chips. Wear an ANSI approved dust mask or respirator when working around metal, wood, and chemical dusts and mists.

8. **Do not overreach.** Keep proper footing and balance at all times. Do not reach over or across running machines.
9. **Maintain the Grinder Stand with care.** Keep Grinder Stand clean for better and safer performance. The Grinder seat must be kept clean, dry, and free from oil and grease at all times.
10. **Disconnect power.** Unplug grinder (not included) when mounting or removing from Grinder Stand.
11. **Stay alert.** Watch what you are doing, use common sense. Do not use the Grinder Stand when you are tired.
12. **Check for damaged parts.** Before using any product, any part that appears damaged should be carefully checked to determine that it will operate properly and perform its intended function. Check for any broken parts or mounting fixtures; and any other condition that may affect proper operation. Any part that is damaged should be properly repaired or replaced by a qualified technician.
13. **Guard against electric shock.** Prevent body contact with grounded surfaces such as pipes, radiators, ranges, and refrigerator enclosures.
14. **Replacement parts and accessories.** When servicing, use only identical replacement parts. Use of any other parts will void the warranty. Only use accessories intended for use with this tool. Approved accessories are available from Harbor Freight Tools.
15. **Do not operate tool if under the influence of alcohol or drugs.** Read warning labels on prescriptions to determine if your judgment or reflexes are impaired while taking drugs. If there is any doubt, do not operate the tool.
16. **Maintenance.** For your safety, maintenance should be performed regularly by a qualified technician.

Warning: The warnings, cautions, and instructions discussed in this instruction manual cannot cover all possible conditions and situations that may occur. It must be understood by the operator that common sense and caution are factors which cannot be built into this product, but must be supplied by the operator.

Unpacking

When unpacking, check to make sure the parts listed on page 5 are included. If any parts are missing or broken, please call Harbor Freight Tools at the number on the cover of this manual as soon as possible.

Assembly

Refer to the Assembly Drawing on page 5.

1. Place the **Pads (#8)** under each one of the four **Lower Legs (#4)**.
2. Where the **Upper Leg (#3)** connects with the **Lower Leg (#4)**, there are four screw holes. Loosely connect an **Upper Leg (#3)** with a **Lower Leg (#4)** through the upper screw holes, using **Screws (#5)**, **Washers (#6)**, and **Nuts (#7)** (leave the lower screw holes empty for now). Repeat with the three other **Upper and Lower Legs (#3 and #4)**.
3. Set the **Grinder Seat (#1)** over the top of the four leg assemblies, lining up the holes on the **Grinder Seat (#1)** and the **Upper Legs (#3)**. Secure them using **Screws (#5)**, **Washers (#6)**, and **Nuts (#7)**.
4. Position the **Tool Tray (#2)** into place (see diagram on page 5). Insert **Screws (#5)** through the lower screw holes on the **Upper and Lower Legs (#3 and #4)**, and through each corner hole of the **Tool Tray (#2)**. Secure with **Washers (#6)**, and a **Nuts(#7)**.
6. Tighten all of the hardware.

Operation

Note: Set up your Grinder Stand on a flat, level, dry surface. Set up in a room with good ventilation. Only set up a grinder in an area clear of any flammable materials or liquids; sparks created by a workpiece being grinded could result in fire. Make sure your grinder (not included) is not plugged in during mounting or removal from the Grinder Stand.

Note: Before mounting your grinder (not included) to the Grinder Stand, read and understand your Grinder's (not included) instruction manual.

1. Mount the Grinder (not included) by lining up the holes on the grinder base with the holes on the **Grinder Seat (#1)** (mounting hardware not included).

Note: The Grinder Stand only fits grinders with compatible mounting holes (.47" X .78"), including Harbor Freight Tools Grinders #39797, #39798, #37822, #37823.

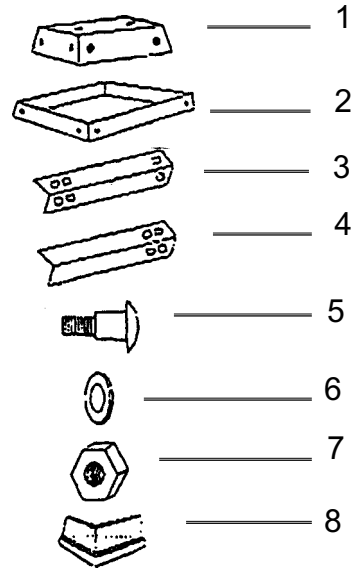
2. To cut down on grinder vibration, you may install a anti-vibration pad (not included) between the grinder (not included) and the Grinder Stand.
3. Once the grinder (not included) is mounted securely, check that the Grinder Stand is secure by gently tipping it in various directions. Once you are sure that the Grinder Stand is stable, you may begin operation.

Maintenance

1. Before and after each use, check the hardware on the Grinder Stand. Tighten if necessary.
2. Keep the **Grinder Seat (#1)** clean and clear of any dirt, greas, or debris.
3. Periodically check the bottom **Pads (#8)** to make sure they are not cracked or broken. If necessary, replace cracked or broken **Pads (#8)** to keep the Grinder Stand stable.

Parts List and Assembly Drawing

Part No.	Description	Qty.
1	Seat	1
2	Tool Tray	1
3	Upper Leg	4
4	Lower Leg	4
5	Screw	24
6	Washer	24
7	Nut	24
8	Pad	4



Note: Hardware (numbers 5, 6, 7) are shown above.

PLEASE READ THE FOLLOWING CAREFULLY

THE MANUFACTURER AND/OR DISTRIBUTOR HAS PROVIDED THE PARTS DIAGRAM IN THIS MANUAL AS A REFERENCE TOOL ONLY. NEITHER THE MANUFACTURER NOR DISTRIBUTOR MAKES ANY REPRESENTATION OR WARRANTY OF ANY KIND TO THE BUYER THAT HE OR SHE IS QUALIFIED TO MAKE ANY REPAIRS TO THE PRODUCT OR THAT HE OR SHE IS QUALIFIED TO REPLACE ANY PARTS OF THE PRODUCT. IN FACT, THE MANUFACTURER AND/OR DISTRIBUTOR EXPRESSLY STATES THAT ALL REPAIRS AND PARTS REPLACEMENTS SHOULD BE UNDERTAKEN BY CERTIFIED AND LICENSED TECHNICIANS AND NOT BY THE BUYER. THE BUYER ASSUMES ALL RISK AND LIABILITY ARISING OUT OF HIS OR HER REPAIRS TO THE ORIGINAL PRODUCT OR REPLACEMENT PARTS THERETO, OR ARISING OUT OF HIS OR HER INSTALLATION OF REPLACEMENT PARTS THERETO.

NOTE: Some parts are listed and shown for illustration purposes only and are not available individually as replacement parts.