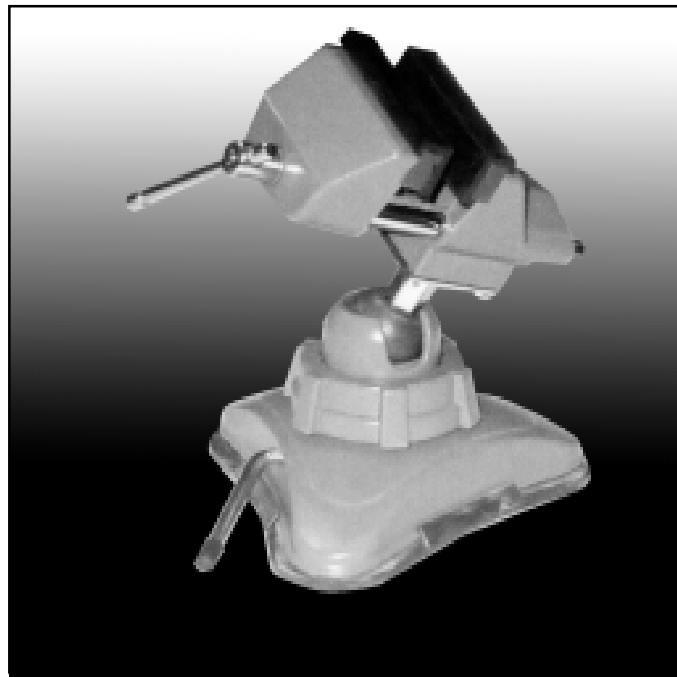


2-3/4" HOBBY VISE

Model 03311

OPERATING INSTRUCTIONS



3491 Mission Oaks Blvd., Camarillo, CA 93011
Visit our Web site at <http://www.harborfreight.com>

Copyright © 2003 by Harbor Freight Tools®. All rights reserved. No portion of this manual or any artwork contained herein may be reproduced in any shape or form without the express written consent of Harbor Freight Tools.

For technical questions please call 1-800-444-3353

SPECIFICATIONS

ITEM	DESCRIPTION
Body Construction	Base/Body: Aluminum. Lead Screw, Handle, Post, Jaws and Swivel: Alloy Steel. Replaceable Rubber Jaw Covers
Finish	Aqua Green Enamel
Anvil Size	6-1/4" Triangular Base X 6-13/16" High
Mounting	Black Rubber Suction Base Pad Mount
Net Weight	2.9 Lbs.
Max. Jaw Opening	2-1/2"
Vise Type	Articulated (Multi Swivel)
Max. Jaw Opening	2-1/2"
Jaw Width	2-3/4"
Vise Height	6-13/16" High
Throat Depth	1-5/16" Deep
Rod Handle	Handle Length: 3-7/8"

SAVE THIS MANUAL

You will need the manual for the safety warnings and precautions, assembly instructions, operating and maintenance procedures, parts list and diagram. Keep your invoice with this manual. Write the invoice number on the inside of the front cover. Keep the manual and invoice in a safe and dry place for future reference.

SAFETY WARNINGS AND PRECAUTIONS

1. **KEEP PRODUCT USAGE AREA CLEAN.** Cluttered areas invite injuries.
2. **KEEP CHILDREN AWAY FROM PRODUCT USAGE AREA.** Do not allow children to handle this product.
3. **DO NOT ASSEMBLE THIS PRODUCT IF UNDER THE INFLUENCE OF ALCOHOL OR DRUGS.** Read warning labels on prescriptions to determine if your judgement or reflexes are impaired while taking drugs. If there is any doubt, do not use this product.
4. **USE EYE PROTECTION.** Wear ANSI approved safety impact goggles. Goggles are available from Harbor Freight Tools.

5. **DRESS SAFELY.** Do not wear loose clothing or jewelry as they can become caught in moving parts. Wear a protective hair covering to prevent long hair from becoming caught in the moving parts.
6. **DO NOT OVERREACH.** Keep proper footing and balance at all times.
7. **STAY ALERT.** Watch what you are doing at all times. Use common sense. Do not operate this product when you are tired or distracted from the job at hand.
8. **CHECK FOR DAMAGED PARTS.** Before using this product, carefully check that it will operate properly and perform its intended function. Check for damaged parts and any other conditions that may affect its operation. Replace or repair damaged or worn parts immediately.
9. **REPLACEMENT PARTS AND ACCESSORIES.** When servicing, use only identical replacement parts.
10. **MAINTAIN PRODUCT WITH CARE.** Keep this product clean and dry, and moving parts lightly lubricated for better performance. Keep Handle dry, clean and free from oil, grease, and solvents.
11. **USE THE RIGHT PRODUCT FOR THE RIGHT JOB.** Do not attempt to force a small tool or attachment to do the work of a larger industrial tool. There are certain applications for which this tool was designed. It will do the job better and more safely at the rate for which it was intended. Do not modify this tool and do not use this tool for any purpose other than which it was intended.

UNPACKING

When unpacking, check to make sure all parts shown on the Parts List (page #5) are included. If any parts are missing or broken, please call Harbor Freight Tools at the number shown on the cover of this manual as soon as possible.

How to Use Vise:

1. Place the Hobby Vise on a smooth flat, non plastic surface. This will support your object being crafted. Secure the Hobby Vise to the surface by turning the Hobby Arm (#3) in the opposite direction causing the Suction Cup (#1) to grip the surface tightly. (See Figure 2) **Caution:** Use this lightweight Hobby Vise for small projects only and do not expect it to hold objects too large for its capacity.

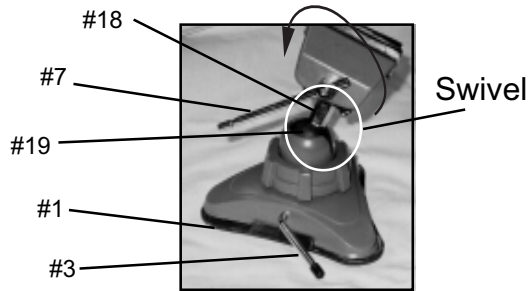


Figure 1

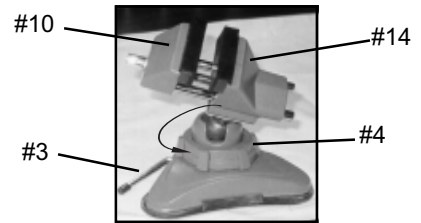


Figure 2

2. The Hobby Vise can adjust 180° vertically and 360° horizontally. The swivel of the Dome (#19) and Hex Shaft (#18) will move the Vise Front and Vise Back (#10 & #14) to the desired angle for better grip and workability. (See Figure 1)
3. Turn Rod Handle (#7) to open Front Vise (#10) and Rear Vise (#14). Place the object you wish to work on inside Jaws (#11). Close and tighten Jaws by turning Rod Handle (#7). Damage could occur if you over-tighten the Jaws.
4. Tilt or swivel Hobby Vise to desired position by loosening Collar (#4) counterclockwise. When you have the desired angle for working on your project, turn Collar (#4) clockwise tightly. (See Figure 2)
5. You can reposition your Hobby Vise again and again. The Replaceable Jaw Covers (#12) (See Figure 3) allows you to work on delicate projects without damaging your workpiece, making your Hobby Vise one of your most valuable tools.

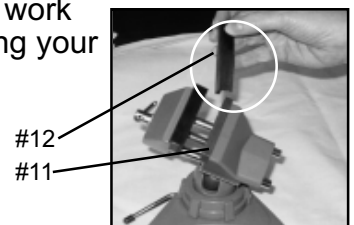


Figure 3

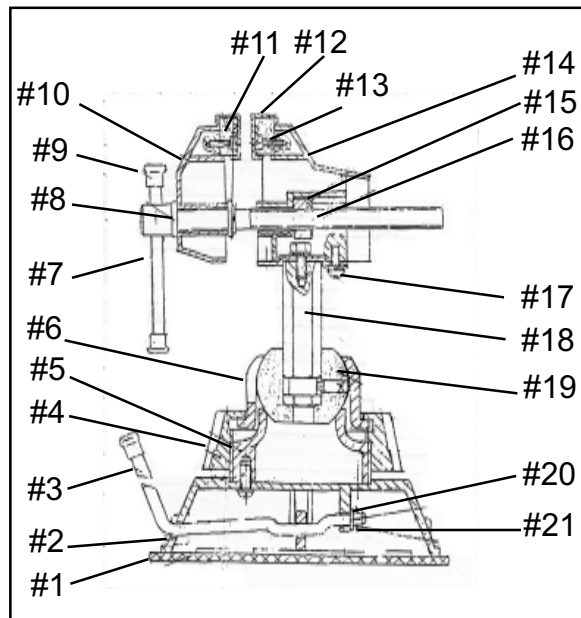
PLEASE READ THE FOLLOWING CAREFULLY

THE MANUFACTURER AND/OR DISTRIBUTOR HAS PROVIDED THE PARTS DIAGRAM IN THIS MANUAL AS A REFERENCE TOOL ONLY. NEITHER THE MANUFACTURER NOR DISTRIBUTOR MAKES ANY REPRESENTATION OR WARRANTY OF ANY KIND TO THE BUYER THAT HE OR SHE IS QUALIFIED TO MAKE ANY REPAIRS TO THE PRODUCT OR THAT HE OR SHE IS QUALIFIED TO REPLACE ANY PARTS OF THE PRODUCT. IN FACT, THE MANUFACTURER AND/OR DISTRIBUTOR EXPRESSLY STATES THAT ALL REPAIRS AND PARTS REPLACEMENTS SHOULD BE UNDERTAKEN BY CERTIFIED AND LICENSED TECHNICIANS AND NOT BY THE BUYER. THE BUYER ASSUMES ALL RISK AND LIABILITY ARISING OUT OF HIS OR HER REPAIRS TO THE ORIGINAL PRODUCT OR REPLACEMENT PARTS THERETO, OR ARISING OUT OF HIS OR HER INSTALLATION OF REPLACEMENT PARTS THERETO.

PARTS LIST

PART #	DESCRIPTION	QTY
1	Suction Cup	1
2	Triangle Base	1
3	Lock Arm	1
4	Collar	1
5	Dome Base	1
6	Dome Holder	1
7	Rod Handle	1
8	Washer	2
9	Rod Cover	3
10	Front Vise	1
11	Jaw	2
12	Jaw Cover	2
13	Screw	4
14	Rear Vise	1
15	Nut	1
16	Bolt	1
17	Fixture	1
18	Hex Shaft	1
19	Dome	1
20	Washer	1
21	Pin	1

PARTS ASSEMBLY



MAINTENANCE

1. For better and safer performance, keep all parts of this product clean and dry at all times.