

Owner's Manual & Safety Instructions

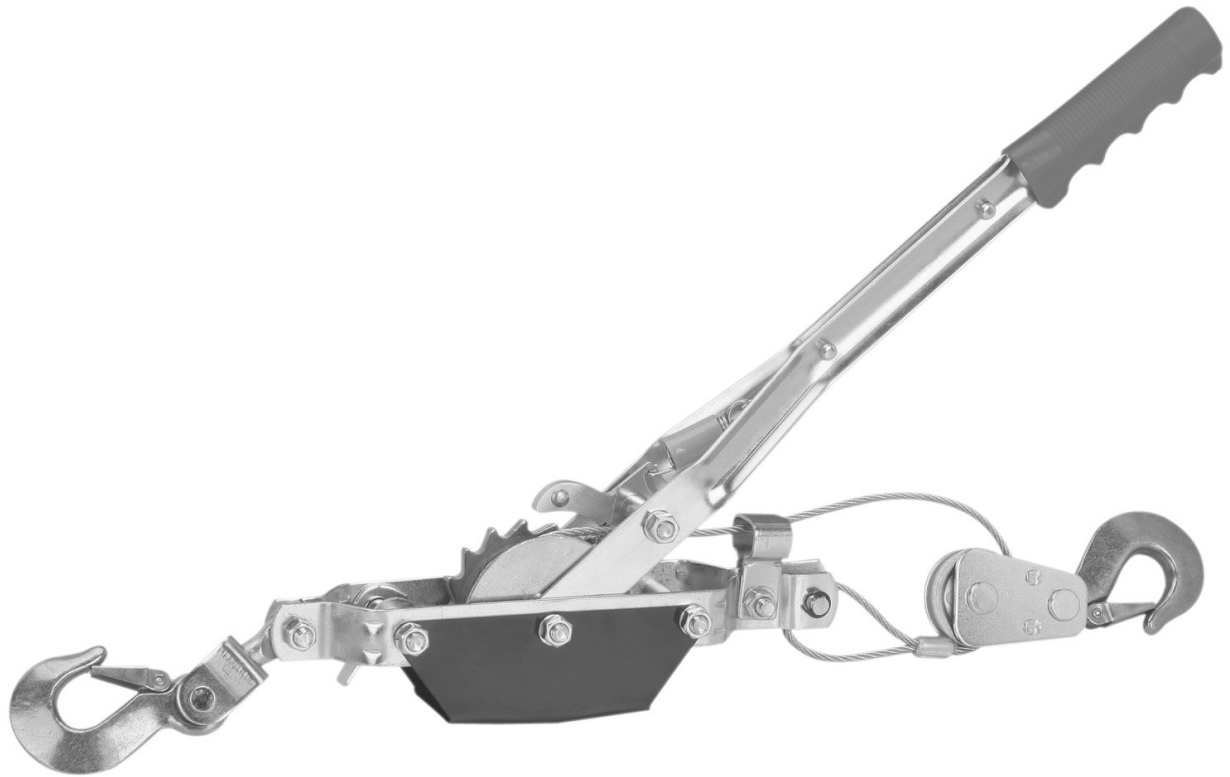
Save This Manual Keep this manual for the safety warnings and precautions, assembly, operating, inspection, maintenance and cleaning procedures. Write the product's serial number in the back of the manual (or month and year of purchase if product has no number). Keep this manual and the receipt in a safe and dry place for future reference.

23f

1200LB. CAPACITY

HaulMaster®

CABLE WINCH PULLER



Visit our website at: <http://www.harborfreight.com>
Email our technical support at: productsupport@harborfreight.com

30131

When unpacking, make sure that the product is intact and undamaged. If any parts are missing or broken, please call 1-888-866-5797 as soon as possible.

Copyright© 2023 by Harbor Freight Tools®. All rights reserved.
No portion of this manual or any artwork contained herein may be reproduced in any shape or form without the express written consent of Harbor Freight Tools. Diagrams within this manual may not be drawn proportionally. Due to continuing improvements, actual product may differ slightly from the product described herein. Tools required for assembly and service may not be included.

⚠️WARNING

**Read this material before using this product.
Failure to do so can result in serious injury.
SAVE THIS MANUAL.**

SPECIFICATIONS

2 Forged Safety Latch Hooks
Cable extends to: 89"
Drop forged steel hanging bracket
Heavy duty 5/32" Steel Cable
Pulling Capacity: 1200 LB.
One piece double ratchet gear

Save This Manual

You will need this manual for the safety warnings and precautions, assembly, operating, inspection, maintenance and cleaning procedures, parts list and assembly diagram. Keep your invoice with this manual. Write the invoice number on the inside of the front cover. Write the product's serial number in the back of the manual, or write month and year of purchase if product has no serial number. Keep this manual and invoice in a safe and dry place for future reference.

GENERAL SAFETY RULES



WARNING Read all safety warnings and instructions.

Failure to follow the warnings and instructions may result in electric shock, fire and/or serious injury.

Save all warnings and instructions for future reference.

WORK AREA

1. **Keep your work area clean and well lit.** Cluttered benches and dark areas invite accidents.
2. **Keep bystanders, children, and visitors away.** Distractions can cause you to lose control.

PERSONAL SAFETY

1. **Stay alert. Watch what you are doing, and use common sense when operating. Do not use while tired or under the influence of drugs, alcohol, or medication.** A moment of inattention while operating may result in serious personal injury.
2. **Dress properly. Do not wear loose clothing or jewelry. Contain long hair. Keep your hair, clothing, and gloves away from moving parts.** Loose clothes, jewelry, or long hair can be caught in moving parts.
3. **Do not overreach. Keep proper footing and balance at all times.** Proper footing and balance enables better control.
4. **Use safety equipment. Always wear eye protection.** Nonskid safety shoes and a hard hat must be used for appropriate conditions. Always wear ANSI-approved safety goggles and heavy-duty work gloves when using or performing maintenance on this tool.

TOOL USE AND CARE

1. **Do not force the tool. Use the correct tool for your application.** The correct tool will do the job better and safer at the rate for which it is designed. Do not force the tool and do not use the tool for a purpose for which it is not intended.
2. **Store idle tools out of reach of children and other untrained persons.** Tools are dangerous in the hands of untrained users. Never allow Children to come in contact with this product.

3. **Maintain tools with care.** Do not use a damaged tool. Tag damaged tools "Do not use" until repaired.
4. **Check for misalignment or binding of moving parts, breakage of parts, and any other condition that may affect the tool's operation. If damaged, have the tool serviced before using.** Many accidents are caused by poorly maintained tools.

SERVICE

1. **Tool service must be performed only by qualified repair personnel.** Service or maintenance performed by unqualified personnel could result in a risk of injury.
2. **When servicing a tool, use only identical replacement parts.** Use of unauthorized parts or failure to follow maintenance instructions may create a risk or injury.

SPECIFIC SAFETY RULES

1. **Maintain labels and nameplates on the tool.** These carry important information. If unreadable or missing, contact Harbor Freight Tools for a replacement.
2. **This Puller is not for aircraft purposes or for linking towed vehicles.**
3. **This Puller is not for overhead pulling or lifting.** This tool is not to be used for lifting people or animals. Not for to be used for climbing purposes.
4. **Before each use: Inspect all "E" clips making sure they are installed correctly.** Inspect the

Cable regularly. Check for fraying, kinks, broken strands, or distortion. If they appear, the Cable should be replaced immediately .

5. **When this tool is being used to pull an object, make sure the Stop Pawl Spring is engaged.**
6. **Do not pull Cable over or around a corner.** Do not wrap Cable around any object and hook it back on itself.
7. **Know how much load you are pulling. DO NOT OVERLOAD.**
8. **Never use a "cheater" pipe or other device to lengthen the handle for additional leverage.** This will cause it to bend or break thereby destroying the tool.
9. **DO NOT operate this tool with less than 3 wraps of Cable on the Spindle.**
10. **Always use an adequate sling, eyebolt or other accessories attached to the load to be pulled.** Always make sure that there is a positive engagement of the puller hook to the load.
11. **THIS PULLER IS NOT FOR LIFTING!**
12. **Keep fingers and hands clear of the ratchet and cable at all times.**

UNPACKING

When unpacking, check to make sure that the item is intact and undamaged. If any parts are missing or broken, please call Harbor Freight Tools at: **1-888-866-5797** as soon as possible.

OPERATION INSTRUCTIONS

1. Press the Stop Pawl (6) away from the Ratchet (5) allowing the Cable (8) to be pulled out to the correct length in order to reach your load. Then, release the Stop Pawl (6). See Assembly Diagram for correct location of the Stop Pawl (6) and the Stop Pawl Spring (3). **CAUTION!** Wear heavy duty gloves and be careful not to pinch your fingers.

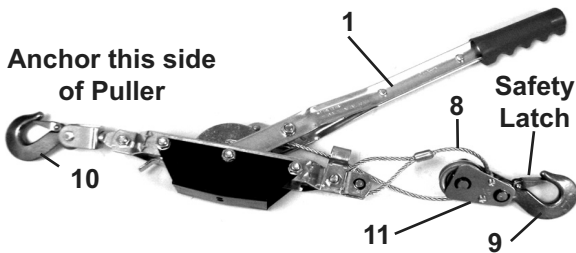


Figure 1

2. Connect the Load Hook (9) to the load. Make sure the load is rated within the capacity of the Puller. See Figure 1.
3. Position the Handle (1) to the Load Hook (9) side of the Puller as shown in Figure 1.

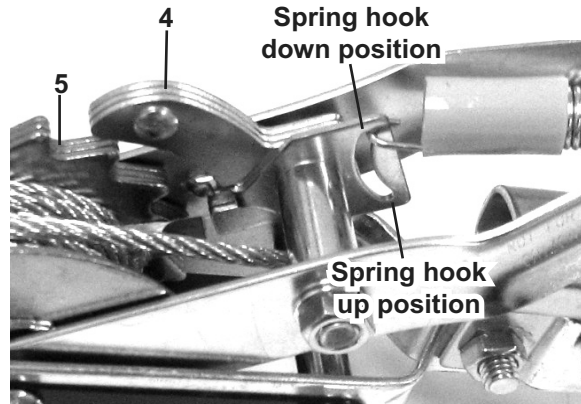


Figure 2

4. To engage the Drive Pawl (4), press it down to contact the Ratchet Gear (5) located just below Drive Pawl (4) as shown in Figure 2.

WARNING: Make sure that the Load Hook (9) closes completely when it is attached to the load. **IF IT DOES NOT CLOSE COMPLETELY DO NOT USE THE PULLER.** See Figure 1.

WARNING: Attachment points must be capable of withstanding the 1,200 pounds of pulling force of the Puller.

5. Slide the spring hook to the opposite end of its slot to make the Drive Pawl (4) stay in place. Begin cranking the Handle (1) toward the Anchor side of the Puller to begin pulling the load. See Figure 2.
6. Repeat step 5 until the load has been pulled to the necessary position. Secure the load so it will not move when you release the tension on the cable.

Releasing The Load

WARNING: Make sure the load is on a flat, level surface before it is released. Releasing the load on a slope or uneven surface could result in workpiece loss of control, property damage, and/or personal injury.

1. Hold the release lever down by cranking the Handle (9) one notch tighter. As soon as the Pawls clear the ratchet tooth the unit will disengage. When loosening the Cable (8), slide the spring back to the other end of the slot, see **Figure 2**. Pull a short portion of the Cable (8) to create slack in the line.
2. Disconnect the Load Hook (9) and the Anchor Hook (1).

NOTE: Do not drop the Puller after you remove it from the load.

INSPECTION, MAINTENANCE, AND CLEANING

1. **BEFORE EACH USE**, inspect the general condition of the tool. Check for loose screws, misalignment or binding of moving parts, cracked or broken parts, damaged electrical wiring, and any other condition that may affect its safe operation. If abnormal noise or vibration occurs, have the problem corrected before further use. **Do not use damaged equipment.**
2. Inspect the Cable (8) along its full length for kinks, frays or damage of any type. Also inspect the Anchor Hook (1) and the Load Hook (9). Have them replaced if any damage is noticed.
3. Routinely check the free movement of the Stop Pawl (6), Drive Pawl (4), Load Hook (9) and the Anchor Hook (10). Lubricate the Puller at the Stop Pawl (6), Drive Pawl (4) Load Hook (9) and Anchor Hook (10). Always store the Puller in a safe, dry place when it is not in use.

Note: No replacement parts are available. Reference UPC 193175478481.

PLEASE READ THE FOLLOWING CAREFULLY

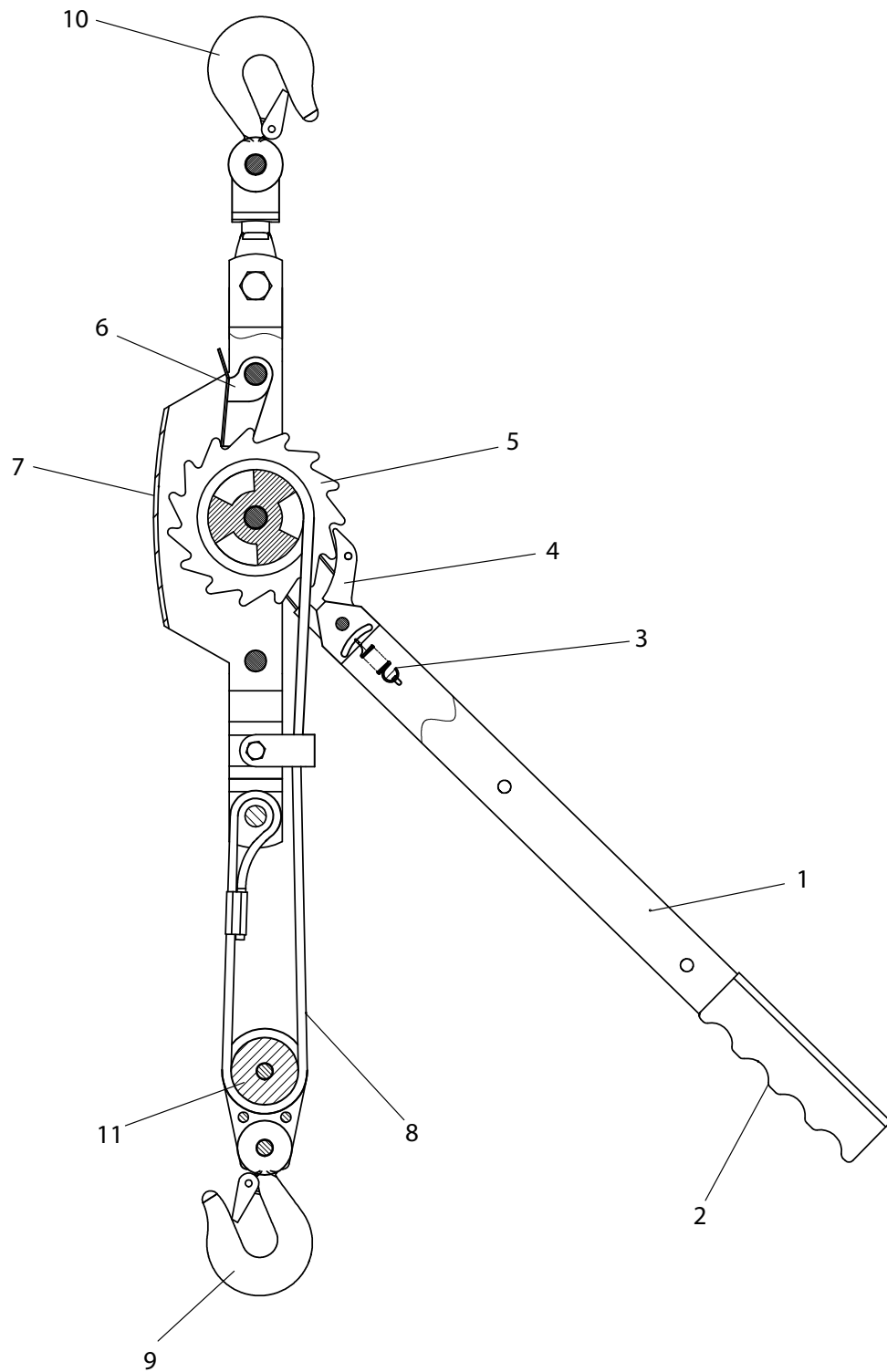
THE MANUFACTURER AND/OR DISTRIBUTOR HAS PROVIDED THE PARTS LIST AND ASSEMBLY DIAGRAM IN THIS MANUAL AS A REFERENCE TOOL ONLY. NEITHER THE MANUFACTURER OR DISTRIBUTOR MAKES ANY REPRESENTATION OR WARRANTY OF ANY KIND TO THE BUYER THAT HE OR SHE IS QUALIFIED TO MAKE ANY REPAIRS TO THE PRODUCT, OR THAT HE OR SHE IS QUALIFIED TO REPLACE ANY PARTS OF THE PRODUCT. IN FACT, THE MANUFACTURER AND/OR DISTRIBUTOR EXPRESSLY STATES THAT ALL REPAIRS AND PARTS REPLACEMENTS SHOULD BE UNDERTAKEN BY CERTIFIED AND LICENSED TECHNICIANS, AND NOT BY THE BUYER. THE BUYER ASSUMES ALL RISK AND LIABILITY ARISING OUT OF HIS OR HER REPAIRS TO THE ORIGINAL PRODUCT OR REPLACEMENT PARTS THERETO, OR ARISING OUT OF HIS OR HER INSTALLATION OF REPLACEMENT PARTS THERETO.

PARTS LIST

Part	Description	Qty
1	Lever (Handle)	1
2	Grip	1
3	Pawl Spring	1
4	Drive Pawl	1
5	Ratchet Gear	1
6	Stop Pawl	1

Part	Description	Qty
7	Guard	1
8	Cable	1
9	Load Hook	1
10	Anchor Hook	1
11	Snatch Block	1

ASSEMBLY DIAGRAM



Note: No replacement parts are available.

LIMITED 90 DAY WARRANTY

Harbor Freight Tools Co. makes every effort to assure that its products meet high quality and durability standards, and warrants to the original purchaser that this product is free from defects in materials and workmanship for the period of 90 days from the date of purchase. This warranty does not apply to damage due directly or indirectly, to misuse, abuse, negligence or accidents, repairs or alterations outside our facilities, criminal activity, improper installation, normal wear and tear, or to lack of maintenance. We shall in no event be liable for death, injuries to persons or property, or for incidental, contingent, special or consequential damages arising from the use of our product. Some states do not allow the exclusion or limitation of incidental or consequential damages, so the above limitation of exclusion may not apply to you. **THIS WARRANTY IS EXPRESSLY IN LIEU OF ALL OTHER WARRANTIES, EXPRESS OR IMPLIED, INCLUDING THE WARRANTIES OF MERCHANTABILITY AND FITNESS.**

To take advantage of this warranty, the product or part must be returned to us with transportation charges prepaid. Proof of purchase date and an explanation of the complaint must accompany the merchandise. If our inspection verifies the defect, we will either repair or replace the product at our election or we may elect to refund the purchase price if we cannot readily and quickly provide you with a replacement. We will return repaired products at our expense, but if we determine there is no defect, or that the defect resulted from causes not within the scope of our warranty, then you must bear the cost of returning the product.

This warranty gives you specific legal rights and you may also have other rights which vary from state to state.

26677 Agoura Road • Calabasas, CA 91302 • 1-888-866-5797