

Heavy-Duty Circuit Tester

Item 30779

⚠ WARNING

Read this material before using this product.
Failure to do so can result in serious injury.
SAVE THIS MANUAL.



When unpacking, make sure that the product is intact and undamaged.
If any parts are missing or broken, please call 1-800-444-3353 as soon as possible.

Visit our website at: <http://www.harborfreight.com>

Specifications

Electrical Requirements	Voltage Range: 6VDC and 12VDC Lead Wire Length: 60 IN. Bulb: 12VDC / 3 W Clamp Capacity: 20 AMP
Dimensions	Probe: 3-1/2 IN. L Handle: 8 IN. L x 1 IN. D

Save This Manual

Keep this manual for the safety warnings and precautions, assembly, operating, inspection, maintenance and cleaning procedures. Write the product's serial number in the back of the manual near the assembly diagram (or month and year of purchase if product has no number). Keep this manual and the receipt in a safe and dry place for future reference.

Important Safety Information

General Power Tool Safety Warnings



WARNING Read all safety warnings and instructions. *Failure to follow the warnings and instructions may result in electric shock, fire and/or serious injury.*

Save all warnings and instructions for future reference.

1. Work area safety

- Keep work area clean and well lit.**
Cluttered or dark areas invite accidents.
- Do not operate tools in explosive atmospheres, such as in the presence of flammable liquids, gases or dust.** *The connection may create sparks which may ignite the dust or fumes.*
- Keep children and bystanders away while operating the tool.**
Distractions can cause you to lose control.

2. Electrical safety

- Avoid body contact with grounded surfaces such as pipes, radiators, ranges and refrigerators.** *There is an increased risk of electric shock if your body is grounded.*
- Do not expose the tool to rain or wet conditions.** *Water entering a tool will increase the risk of electric shock.*
- Do not abuse the cord. Never use the cord for carrying, pulling or disconnecting the tool. Keep cord away from heat, oil, sharp edges or moving parts.** *Damaged or entangled cords increase the risk of electric shock.*

3. Personal safety

- Stay alert, watch what you are doing and use common sense when operating a tool. Do not use a tool while you are tired or under the influence of drugs, alcohol or medication.**
A moment of inattention while operating a tool may result in serious personal injury.
- Use personal protective equipment. Always wear eye protection.** *Safety equipment such as dust mask, non-skid safety shoes, hard hat, or hearing protection used for appropriate conditions will reduce personal injuries.*
- Do not overreach. Keep proper footing and balance at all times.** *This enables better control of the power tool in unexpected situations.*
- Dress properly. Do not wear loose clothing or jewelry. Keep your hair, clothing and gloves away from electrical parts.** *Loose clothes, jewelry or long hair can be caught in parts.*
- Only use safety equipment that has been approved by an appropriate standards agency.** *Unapproved safety equipment may not provide adequate protection. Eye protection must be ANSI-approved and breathing protection must be NIOSH-approved for the specific hazards in the work area.*

4. Power tool use and care

- Store idle tools out of the reach of children and do not allow persons unfamiliar with the tool or these instructions to operate the tool.** *Tools are dangerous in the hands of untrained users.*
- Maintain tools. Check for misalignment or binding of parts, breakage of parts and any other condition that may affect the tool's operation. If damaged, have the tool repaired before use.** *Many accidents are caused by poorly maintained tools.*

Circuit Tester Safety Warnings

- Maintain labels and nameplates on the tool. These carry important safety information. If unreadable or missing, contact Harbor Freight Tools for a replacement.
- Avoid unintentional starting. Prepare to begin work before connecting the tool.
- Use as intended only.
- Inspect before every use; do not use if parts are loose or damaged.
- Do not leave the tool unattended when it is connected to an electrical source. Disconnect the tool from its electrical source before leaving.
- This product is not a toy. Keep it out of reach of children.

7. People with pacemakers should consult their physician(s) before use. Electromagnetic fields in close proximity to heart pacemaker could cause pacemaker interference or pacemaker failure. In addition, people with pacemakers should:
 - Avoid operating alone.
 - Properly maintain and inspect to avoid electrical shock.
8. **WARNING:** Handling the cord on this product will expose you to lead, a chemical known to the State of California to cause cancer, and birth defects or other reproductive harm. Wash hands after handling. (California Health & Safety Code § 25249.5, *et seq.*)
9. The warnings, precautions, and instructions discussed in this instruction manual cannot cover all possible conditions and situations that may occur. It must be understood by the operator that common sense and caution are factors which cannot be built into this product, but must be supplied by the operator.



SAVE THESE INSTRUCTIONS.

Operating Instructions



Read the **ENTIRE IMPORTANT SAFETY INFORMATION** section at the beginning of this manual including all text under subheadings therein before set up or use of this product.

General Operating Instructions

1. Remove the protective tip from the Probe (1). Be careful, the tip is sharp.

Note: Before each use, first test the Circuit Tester on a known, working 6V or 12V source so you are sure it is in proper working order.
2. To test 6 volt or 12 volt fuses, wiring, or other 6V/12V circuitry, connect the Cord Clamp (11) to one side/end of the fuse, wire, vehicle battery post, etc. (either positive or negative pole).
3. Gently touch and hold the tip of the Probe (1) against the other side/end of the object being tested.
4. If the Bulb (3) inside the Handle (2) illuminates, this indicates there is electricity flowing through the circuit. No illumination of the Bulb indicates no electricity flowing through the circuit and that repair or replacement of the object being tested is needed.
5. When finished using the Circuit Tester, replace the protective tip and store the tool in a clean, dry, safe location out of reach of children.

Maintenance and Servicing



Procedures not specifically explained in this manual must be performed only by a qualified technician.

!WARNING

TO PREVENT SERIOUS INJURY FROM ELECTRICAL CONNECTIONS:

Disconnect the Circuit Tester from all power sources before performing any inspection, maintenance, or cleaning procedures.

Do not use damaged equipment. If abnormal noise or vibration occurs, have the problem corrected before further use.

Cleaning, Maintenance, and Lubrication

1. **BEFORE EACH USE**, inspect the general condition of the tool. Check for loose hardware, misalignment or binding of parts, cracked or broken parts, damaged electrical wiring, and any other condition that may affect its safe operation.
Do not use damaged tools.
2. **AFTER USE**, wipe external surfaces of the tool with clean cloth.

Changing the Bulb

1. To change the Bulb (3), remove the Cord Clamp (11) from all power sources.
2. Unscrew the Tail Base (5) from the Handle (2), and remove the Spring (4).
3. Unscrew the Bulb from the Spring and replace with a new 12V/3W Bulb.
4. Replace the Spring and Bulb in the Handle and screw in the Tail Base.

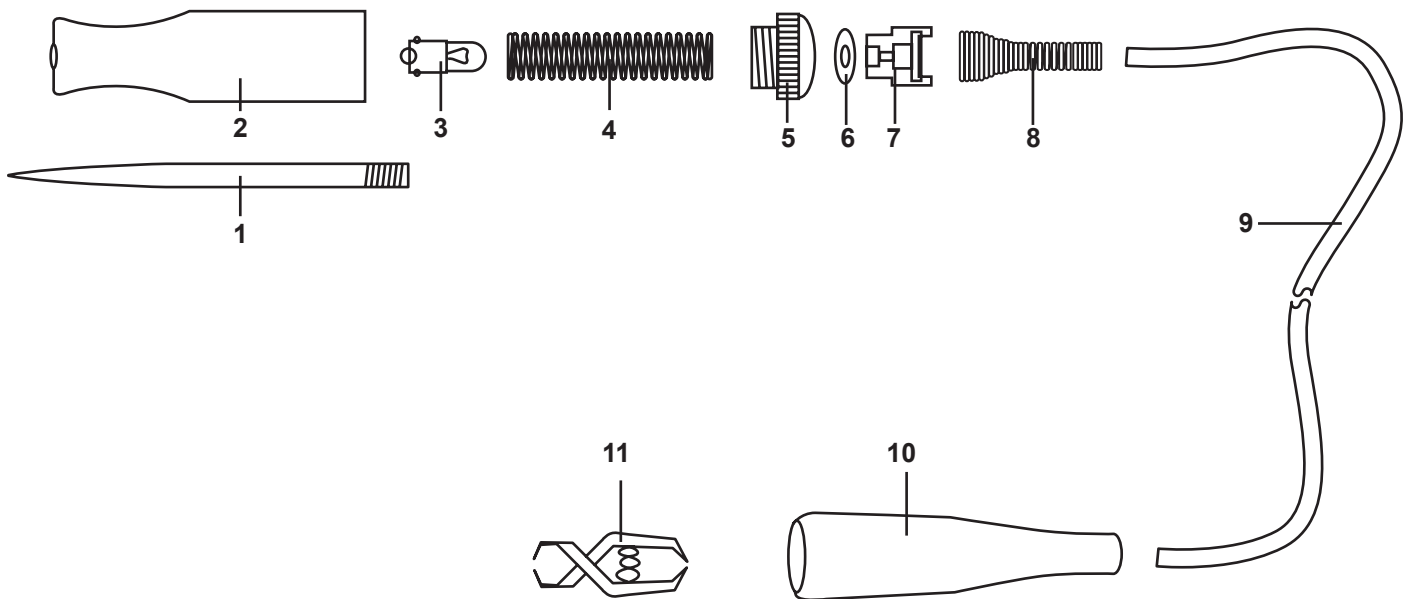
Parts List and Assembly Diagram

PLEASE READ THE FOLLOWING CAREFULLY

THE MANUFACTURER AND/OR DISTRIBUTOR HAS PROVIDED THE PARTS LIST AND ASSEMBLY DIAGRAM IN THIS MANUAL AS A REFERENCE TOOL ONLY. NEITHER THE MANUFACTURER OR DISTRIBUTOR MAKES ANY REPRESENTATION OR WARRANTY OF ANY KIND TO THE BUYER THAT HE OR SHE IS QUALIFIED TO MAKE ANY REPAIRS TO THE PRODUCT, OR THAT HE OR SHE IS QUALIFIED TO REPLACE ANY PARTS OF THE PRODUCT. IN FACT, THE MANUFACTURER AND/OR DISTRIBUTOR EXPRESSLY STATES THAT ALL REPAIRS AND PARTS REPLACEMENTS SHOULD BE UNDERTAKEN BY CERTIFIED AND LICENSED TECHNICIANS, AND NOT BY THE BUYER. THE BUYER ASSUMES ALL RISK AND LIABILITY ARISING OUT OF HIS OR HER REPAIRS TO THE ORIGINAL PRODUCT OR REPLACEMENT PARTS THERETO, OR ARISING OUT OF HIS OR HER INSTALLATION OF REPLACEMENT PARTS THERETO.

Part	Description	Qty
1	Probe	1
2	Handle	1
3	Bulb (12V/3W)	1
4	Spring	1
5	Tail Base	1
6	Washer	1

Part	Description	Qty
7	Probe Base	1
8	Spring Sleeve	1
9	Cord	1
10	Clamp Sleeve	1
11	Cord Clamp	1



Record Product's Serial Number Here: _____

Note: If product has no serial number, record month and year of purchase instead.

Note: Some parts are listed and shown for illustration purposes only, and are not available individually as replacement parts.

CEN-TECH®