

Owner's Manual & Safety Instructions

Save This Manual Keep this manual for the safety warnings and precautions, assembly, operating, inspection, maintenance and cleaning procedures. Write the product's serial number in the back of the manual near the assembly diagram (or month and year of purchase if product has no number). Keep this manual and the receipt in a safe and dry place for future reference.

REV 15c



ITEM 37349

15 AMP

CLEAR LENS HALOGEN LIGHTS



Visit our website at: <http://www.harborfreight.com>
Email our technical support at: productsupport@harborfreight.com

When unpacking, make sure that the product is intact and undamaged. If any parts are missing or broken, please call 1-888-866-5797 as soon as possible.

Copyright© 2015 by Harbor Freight Tools®. All rights reserved.

No portion of this manual or any artwork contained herein may be reproduced in any shape or form without the express written consent of Harbor Freight Tools. Diagrams within this manual may not be drawn proportionally. Due to continuing improvements, actual product may differ slightly from the product described herein. Tools required for assembly and service may not be included.

⚠WARNING


**Read this material before using this product.
Failure to do so can result in serious injury.
SAVE THIS MANUAL.**

Specifications

Electrical Rating	15A
Bulb	12V 55W H3 Halogen (included)

IMPORTANT SAFETY INFORMATION

Installation Precautions

-  A 15 amp fuse must be installed inline on the positive power supply wire of this item. Using no fuse, or using an incorrect fuse can cause an electrical fire.
- Install only according to these instructions. Improper installation can create hazards.
- Wear ANSI-approved safety goggles and heavy-duty work gloves during installation.
- Make certain the vehicle's engine is turned off and battery is disconnected before installing the Lights.
- When drilling holes, beware of any hidden electrical lines or cables. Make sure you don't damage or weaken the structural integrity of the vehicle.
- Vehicles equipped with airbags may have the sensors located inside the front bumper. Consult the vehicle owner's manual to determine the location of the airbag sensors. To avoid damaging the sensors if they are located in the front bumper, do not drill holes in the bumper.
- Do not install Lights where they could restrict sufficient airflow to the radiator or obstruct the headlights and/or turn signals of vehicle.
- Keep installation area clean and well lit.
- Keep bystanders out of the area during installation.
- Do not install when tired or when under the influence of alcohol, drugs or medication.
- Read all instructions and safety precautions in the vehicle's manual onto which the Lights will be installed.
- Install on negative ground 12 VDC systems only.
- Do not install this product yourself unless you are technically competent to do so. If necessary, have a qualified technician install the Lights.
- WARNING:** The cord of this product contains lead and/or di (2-ethylhexyl) phthalate (DEHP), chemicals known to the State of California to cause cancer, and birth defects or other reproductive harm. Wash hands after handling. (California Health & Safety Code § 25249.5, *et seq.*)
- WARNING:** This product contains or, when used, produces a chemical known to the State of California to cause cancer and birth defects or other reproductive harm. (California Health & Safety Code § 25249.5, *et seq.*)
- WARNING:** This product contains di (2-ethylhexyl) phthalate (DEHP), a chemical known to the State of California to cause cancer and birth defects or other reproductive harm. (California Health & Safety Code § 25249.5, *et seq.*)

Use Precautions

- This product is not a toy. Do not allow children to play with this item.
- The Halogen Lights become very hot during continuous use. Do not touch the Lights for at least half an hour after turning off.
- Inspect before every use; do not use if parts are loose or damaged.
- Use as intended only. Do not modify this product or use it for a purpose for which it was not intended.

5. This product may not meet D.O.T. requirements for use on public roads or highways. Follow local, state, and federal regulations.
6. The warnings and precautions discussed in this manual cannot cover all possible conditions and situations that may occur. The operator must understand that common sense and caution are factors that cannot be built into this product, but must be supplied by the operator.

Installation Instructions




Read the **ENTIRE IMPORTANT SAFETY INFORMATION** section at the beginning of this document including all text under subheadings therein before set up or use of this product.

Note: For additional information regarding the parts listed in the following pages, refer to *Parts List and Diagram* on page 6.

Light Mounting

1. To avoid accidental short circuits, disconnect the negative (-) terminal of the vehicle battery prior to installation.
 2. Driving lights must be mounted between 16" and 42" from the ground. Fog lights must be mounted between 12" and 30" from the ground. Check state and local regulations for minimum and maximum mounting height requirements.
 3. The Halogen Lights can be mounted above or below the bumper. Make sure the desired mounting locations do not obstruct the vehicle's headlights or turn signals.
 4. If mounting below the bumper, perform following procedure to maintain the optimum beam pattern:
 - a. Remove two Screws (1), Lens Holders (2), and the Glass Lens (3) from the front of each Light.
 - b. Pull out the Reflector (5) from the Light Housing (8), turn 180° and put back into the Housing in the reverse position.
 - c. Turn the Glass Lens 180°, reinstall on the Light Housing and secure in place with the Lens Holders and Screws.
 5. Place the Halogen Lights on the bumper, and mark the desired mounting locations at an equal distance from the center of the bumper.
 6. Drill 1/2" diameter holes through pre-marked mounting positions.
- CAUTION:** Make sure no electrical wires or cables are in the way of the drilling path.
7. Install the Lights on the bumper, using the Bolts (10), Attachment Plates (11), Lock Washers (12), and Nuts (13).
 8. Align Lights to desired angle and tighten the Nuts to retain aiming position.
 9. Mount the Light Switch (14) in a location that is within easy reach (i.e., dashboard, console). With the Light Switch in the desired position, mark the holes for drilling and drill two 1/16" holes. Mount the Light Switch with the Screws provided.

Wiring Installation

1. Connect the Black ground wire from each Light to the chassis or any other grounded metal surface of the vehicle.
2. Insert the male connector end of the White bulb wire from one Light into double female "Y" connector of 6 ft. White extension wire.
3. Insert the male connector end of the White bulb wire from the other Light into single female connector of 3 ft. Blue extension wire.
4. Insert the male connector end of Blue extension wire into double female "Y" connector of White extension wire.
5. Insert "U" spade connector end of White extension wire into one Light Switch terminal.
6. Insert "U" spade connector end of 5 ft. Black power supply wire with 15A in-line fuse into other Light Switch terminal. The other end of the Black power supply wire must be connected to the positive (+) terminal of battery or vehicle fuse box.
7. Use plastic tie-strips (not included) to secure the wiring throughout the vehicle. Avoid hot areas and moving parts. Tape all connections using electrical tape (not included). Protect the wiring from sharp edges with tape or grommets.
8.  A 15 amp fuse must be installed inline on the positive power supply wire of this item. Using no fuse, or using an incorrect fuse can cause an electrical fire.
9. Check that all wiring is identical with Figure A: Wiring Diagram, then reconnect negative (-) terminal of the vehicle battery. Turn on the Light Switch to confirm the Lights are operating properly.

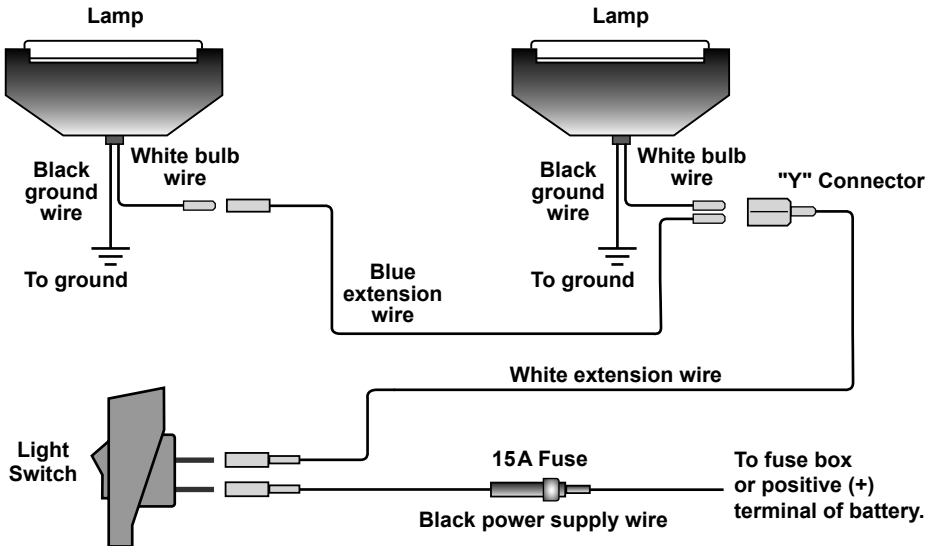


Figure A: Wiring Diagram

Aiming Beams

1. Driving lights must be aimed with the center of the high intensity zone on a vertical line, straight ahead of the light center and with the top edge of the beam 2 inches below the level of the light center at a distance of 25 feet from the lens.
2. Fog lights must be aimed with the center of the high intensity zone on a vertical line straight ahead of the lamp center and with the top edge of the beam 4 inches below the level of the light center at a distance of 25 feet from the lens.

NOTICE: Incorrectly aiming beams may present a hazard to other drivers and may be illegal. Follow local, state, and federal regulations.

Halogen Bulb Replacement

1. To avoid accidental short circuits, disconnect the negative (-) terminal of the vehicle battery prior to bulb replacement.
2. Disconnect the White bulb wire from the double female "Y" connector of the 6 ft. White extension wire or from the single female connector of the 3 ft. Blue extension wire (depending on which bulb is being replaced). Refer to Figure A: Wiring Diagram.
3. Remove two Screws (1), Lens Holders (2), and the Glass Lens (3) from the front of the Light. Refer to *Parts List and Diagram* on page 6.
4. Pull out the Reflector (5) from the Light Housing (8). Remove the Screw (7) holding the Bulb (6) and Black ground wire in place on the Reflector.
5. Remove the old Bulb from the Reflector and replace with an identical 12V 55W H3 halogen bulb.
6. Secure the new Bulb and existing Black ground wire in place with the Screw.
7. Thread the new White bulb wire through the Grommet (9) on the Light Housing and insert the Reflector back into the Housing. Replace the Glass Lens and Lens Holders. Secure in place with the two Screws.
8. Insert the male connector end of the White bulb wire into the double female "Y" connector of the 6 ft. White extension wire or into the single female connector of the 3 ft. Blue extension wire.
9. Check that all wiring is identical with Figure A: Wiring Diagram, then reconnect negative (-) terminal of the vehicle battery.

CAUTION: Do not touch the Bulb with your bare hands; oil from skin will drastically shorten the life span of the bulb if not cleaned with rubbing alcohol and allowed to dry before use. Handle the bulb with a soft, clean cloth or clean work gloves instead.

PLEASE READ THE FOLLOWING CAREFULLY

THE MANUFACTURER AND/OR DISTRIBUTOR HAS PROVIDED THE PARTS LIST AND ASSEMBLY DIAGRAM IN THIS DOCUMENT AS A REFERENCE TOOL ONLY. NEITHER THE MANUFACTURER OR DISTRIBUTOR MAKES ANY REPRESENTATION OR WARRANTY OF ANY KIND TO THE BUYER THAT HE OR SHE IS QUALIFIED TO MAKE ANY REPAIRS TO THE PRODUCT, OR THAT HE OR SHE IS QUALIFIED TO REPLACE ANY PARTS OF THE PRODUCT. IN FACT, THE MANUFACTURER AND/OR DISTRIBUTOR EXPRESSLY STATES THAT ALL REPAIRS AND PARTS REPLACEMENTS SHOULD BE UNDERTAKEN BY CERTIFIED AND LICENSED TECHNICIANS, AND NOT BY THE BUYER. THE BUYER ASSUMES ALL RISK AND LIABILITY ARISING OUT OF HIS OR HER REPAIRS TO THE ORIGINAL PRODUCT OR REPLACEMENT PARTS THERETO, OR ARISING OUT OF HIS OR HER INSTALLATION OF REPLACEMENT PARTS THERETO.

Parts List

Part	Description
1	Screw ST4x20
2	Lens Holder
3	Glass Lens
4	Gasket
5	Reflector
6	12V 55W H3 Halogen Bulb
7	Screw ST3x6
8	Light Housing

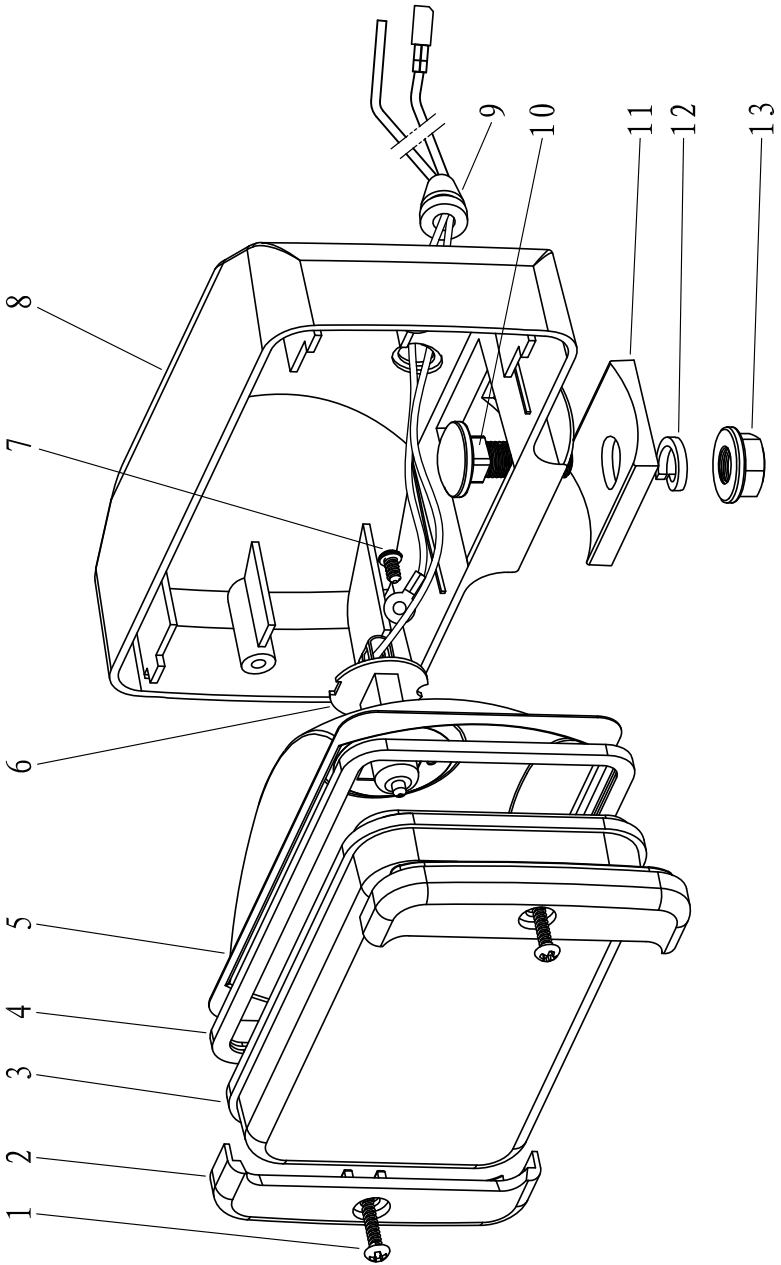
Part	Description
9	Grommet
10	Bolt M8x25
11	Attachment Plate
12	Lock Washer D8
13	Nut M8
14	Light Switch (not shown)
15	Wire Bundle (not shown)

Record Serial Number Here:

Note: If product has no serial number, record month and year of purchase instead.

Note: Some parts are listed and shown for illustration purposes only, and are not available individually as replacement parts.

Assembly Diagram



Limited 90 Day Warranty

Harbor Freight Tools Co. makes every effort to assure that its products meet high quality and durability standards, and warrants to the original purchaser that this product is free from defects in materials and workmanship for the period of 90 days from the date of purchase. This warranty does not apply to damage due directly or indirectly, to misuse, abuse, negligence or accidents, repairs or alterations outside our facilities, criminal activity, improper installation, normal wear and tear, or to lack of maintenance. We shall in no event be liable for death, injuries to persons or property, or for incidental, contingent, special or consequential damages arising from the use of our product. Some states do not allow the exclusion or limitation of incidental or consequential damages, so the above limitation of exclusion may not apply to you. THIS WARRANTY IS EXPRESSLY IN LIEU OF ALL OTHER WARRANTIES, EXPRESS OR IMPLIED, INCLUDING THE WARRANTIES OF MERCHANTABILITY AND FITNESS.

To take advantage of this warranty, the product or part must be returned to us with transportation charges prepaid. Proof of purchase date and an explanation of the complaint must accompany the merchandise. If our inspection verifies the defect, we will either repair or replace the product at our election or we may elect to refund the purchase price if we cannot readily and quickly provide you with a replacement. We will return repaired products at our expense, but if we determine there is no defect, or that the defect resulted from causes not within the scope of our warranty, then you must bear the cost of returning the product.

This warranty gives you specific legal rights and you may also have other rights which vary from state to state.

