

3-Jaw Pilot Bearing Puller

04876 Bearing Puller

INSTRUCTIONS AND PRECAUTIONS

Visit our website at:
<http://www.harborfreight.com>

⚠ WARNING

Read this material before
using this product.
Failure to do so can result
in serious injury.
SAVE THIS MANUAL.

When unpacking, make sure
that the product is intact and
undamaged.

If any parts are missing or broken,
please call 1-800-444-3353
as soon as possible.

Copyright© 1997 by Harbor Freight Tools®.
All rights reserved. No portion of this document
or any artwork contained herein may be
reproduced in any shape or form without the
express written consent of Harbor Freight
Tools. Diagrams within this document may
not be drawn proportionally. Due to continuing
improvements, actual product may differ slightly
from the product described herein. Tools required
for assembly and service may not be included.

**For technical questions or replacement
parts, please call 1-800-444-3353.**



Specifications

Attachment Type	Threaded
Capability	3/4' to 1-1/2"
Material	Carbon Steel

Important Safety Information

1. Use only according to these instructions. Improper assembly and usage can create hazards.
2. Wear ANSI-approved safety goggles and heavy-duty work gloves during usage.
3. Keep area clean and well lit.
4. Keep children and other bystanders out of the area.
5. Do not use when tired or when under the influence of drugs or medication.
6. Use as intended only.
7. Inspect before every use; do not use if parts are loose or damaged.
8. Maintain product labels and nameplates. These carry important safety information. If unreadable or missing, contact Harbor Freight Tools for a replacement.

Operating Instructions



Read the **ENTIRE IMPORTANT SAFETY INFORMATION** section at the beginning of this document including all text under subheadings therein before set up or use of this product.

Insert Three-Pronged Jaws

1. Brace the Pilot Bearing Puller directly over the Bearing Seat using the Stand Legs (8), Stand Crossbar (9) and Fixing Screws (4). See photo on opposite page.
2. Insert the Three-Pronged Jaws (7) into the inner hole of the bearing case.
3. Turn the Yoke (5) by hand so that the Tapered Tip (6) expands the jaws outward until they are snug against the bearing.

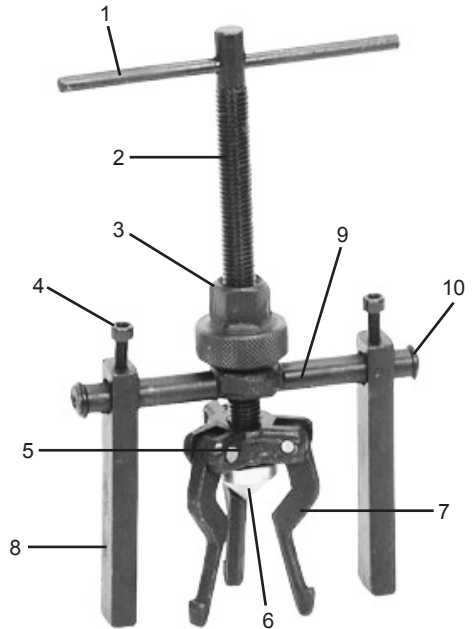
NOTE: Make sure the hooked tip of each jaw is affixed underneath the rim of the bearing case.

Extract the Bearing Case

1. Tighten the Extracting Nut (3) until it is snug against the Stand Crossbar. A crescent wrench (not included) may be needed to further tighten the Extracting Nut.
2. Turn the Handle (1) until the bearing case is removed evenly from the bearing seat.

Parts List and Diagram

Part	Description	Qty
1	Handle	1
2	Threaded Shaft	1
3	Extracting Nut	1
4	Fixing Screw	2
5	Yoke	1
6	Tapered Tip	1
7	Three-Pronged Jaw	1
8	Stand Legs	2
9	Stand Crossbar	1
10	O-Ring	1



Maintenance and Servicing

- Before each use**, inspect general condition of tool. Check for misalignment or binding of moving parts, cracked or broken parts, and any other condition that may affect its safe operation. **Do not use damaged equipment.**
- After use**, clean external surfaces. Do not use solvents.
- When storing**, keep Pilot Bearing Puller in a clean, dry, safe location that is out of reach of children.

Record Serial Number Here:

Note: If product has no serial number, record month and year of purchase instead.

PLEASE READ THE FOLLOWING CAREFULLY

NEITHER THE MANUFACTURER OR DISTRIBUTOR MAKES ANY REPRESENTATION OR WARRANTY OF ANY KIND TO THE BUYER THAT HE OR SHE IS QUALIFIED TO MAKE ANY REPAIRS TO THE PRODUCT, OR THAT HE OR SHE IS QUALIFIED TO REPLACE ANY PARTS OF THE PRODUCT. IN FACT, THE MANUFACTURER AND/OR DISTRIBUTOR EXPRESSLY STATES THAT ALL REPAIRS AND PARTS REPLACEMENTS SHOULD BE UNDERTAKEN BY CERTIFIED AND LICENSED TECHNICIANS, AND NOT BY THE BUYER. THE BUYER ASSUMES ALL RISK AND LIABILITY ARISING OUT OF HIS OR HER REPAIRS TO THE ORIGINAL PRODUCT OR REPLACEMENT PARTS THERETO, OR ARISING OUT OF HIS OR HER INSTALLATION OF REPLACEMENT PARTS THERETO.

LIMITED 90 DAY WARRANTY

Harbor Freight Tools Co. makes every effort to assure that its products meet high quality and durability standards, and warrants to the original purchaser that this product is free from defects in materials and workmanship for the period of 90 days from the date of purchase. This warranty does not apply to damage due directly or indirectly, to misuse, abuse, negligence or accidents, repairs or alterations outside our facilities, criminal activity, improper installation, normal wear and tear, or to lack of maintenance. We shall in no event be liable for death, injuries to persons or property, or for incidental, contingent, special or consequential damages arising from the use of our product. Some states do not allow the exclusion or limitation of incidental or consequential damages, so the above limitation of exclusion may not apply to you. THIS WARRANTY IS EXPRESSLY IN LIEU OF ALL OTHER WARRANTIES, EXPRESS OR IMPLIED, INCLUDING THE WARRANTIES OF MERCHANTABILITY AND FITNESS.

To take advantage of this warranty, the product or part must be returned to us with transportation charges prepaid. Proof of purchase date and an explanation of the complaint must accompany the merchandise. If our inspection verifies the defect, we will either repair or replace the product at our election or we may elect to refund the purchase price if we cannot readily and quickly provide you with a replacement. We will return repaired products at our expense, but if we determine there is no defect, or that the defect resulted from causes not within the scope of our warranty, then you must bear the cost of returning the product.

This warranty gives you specific legal rights and you may also have other rights which vary from state to state.

PITTSBURGH[®] AUTOMOTIVE

3491 Mission Oaks Blvd. • PO Box 6009 • Camarillo, CA 93011 • (800) 444-3353