



HEAVY DUTY 2000 LB. CAPACITY TOP WIND TRAILER JACK

Model 42950

SET UP AND OPERATING INSTRUCTIONS



Visit our website at: <http://www.harborfreight.com>



**Read this material before using this product.
Failure to do so can result in serious injury.
SAVE THIS MANUAL.**

Copyright© 1998 by Harbor Freight Tools®. All rights reserved. No portion of this manual or any artwork contained herein may be reproduced in any shape or form without the express written consent of Harbor Freight Tools. Diagrams within this manual may not be drawn proportionally. Due to continuing improvements, actual product may differ slightly from the product described herein. Tools required for assembly and service may not be included.

For technical questions or replacement parts, please call 1-800-444-3353.

Revised Manual 10g

SAVE THIS MANUAL

Keep this manual for the safety warnings and precautions, assembly, operating, inspection, maintenance and cleaning procedures. Write the product's serial number in the back of the manual near the assembly diagram (or month and year of purchase if product has no number). Keep this manual and the receipt in a safe and dry place for future reference.

IMPORTANT SAFETY INFORMATION

In this manual, on the labeling, and all other information provided with this product:



This is the safety alert symbol. It is used to alert you to potential personal injury hazards. Obey all safety messages that follow this symbol to avoid possible injury or death.

DANGER

DANGER indicates a hazardous situation which, if not avoided, will result in death or serious injury.

WARNING

WARNING indicates a hazardous situation which, if not avoided, could result in death or serious injury.

CAUTION

CAUTION, used with the safety alert symbol, indicates a hazardous situation which, if not avoided, could result in minor or moderate injury.

NOTICE

NOTICE is used to address practices not related to personal injury.

CAUTION

CAUTION, without the safety alert symbol, is used to address practices not related to personal injury.

General Tool Safety Warnings



WARNING Read all safety warnings and instructions.

Failure to follow the warnings and instructions may result in serious injury.

Save all warnings and instructions for future reference.

The term "tool" in the warnings refers to your Trailer Jack.

1. Work area safety

Keep work area clean and well lit. *Cluttered or dark areas invite accidents.*

2. Personal safety

a. **Stay alert, watch what you are doing and use common sense when operating a tool. Do not use a tool while you are tired or under the influence of drugs, alcohol or medication.** *A moment of inattention while operating tools may result in serious personal injury.*

b. **Use personal protective equipment. Always wear eye protection.** *Safety equipment such as non-skid safety shoes or a hard hat used for appropriate conditions will reduce personal injuries.*

c. **Do not overreach. Keep proper footing and balance at all times.** *This enables better control of the tool in unexpected situations.*

- d. **Dress properly. Do not wear loose clothing or jewelry. Keep your hair, clothing and gloves away from moving parts.** *Loose clothes, jewelry or long hair can be caught in moving parts.*

3. Tool use and care

- a. **Do not force the tool. Do not exceed 2,000 lb. capacity of this tool.** *The correct tool will do the job better and safer at the rate for which it was designed.*
- b. **Store idle tools out of the reach of children and do not allow persons unfamiliar with the tool or these instructions to operate it. Tools are dangerous in the hands of untrained users.**
- c. **Maintain tools. Check for misalignment or binding of moving parts, breakage of parts and any other condition that may affect the tool's operation. If damaged, have the tool repaired before use.** *Many accidents are caused by poorly maintained tools.*
- d. **Use the tool and accessories in accordance with these instructions, taking into account the working conditions and the work to be performed.** *Use of the tool for operations different from those intended could result in a hazardous situation.*

4. Service

- a. **Have your tool serviced by a qualified repair person using only identical replacement parts.** *This will ensure that the safety of the tool is maintained.*

Specific Safety Warnings

1. Be aware that the user/installer of this product is solely responsible for the way the Trailer Jack is installed, operated and maintained, and is responsible for any and all consequences that occur, whether or not anticipated in these warning statements.
2. Do not exceed 2000 Lb. capacity.
3. Never attempt to adjust, modify or take apart the Swing Plate, Pull Pin, or Pull Pin Handle while the Trailer Jack is supporting any weight.
4. Lock Trailer Jack in vertical position before applying load.
5. Use on flat, level, hard surface capable of supporting the combined weight of the trailer and the jack.
6. Before each use, verify that the Pull Pin is properly engaged in a hole of the Swing Plate (8).
7. Wear ANSI-approved safety goggles during use.
8. Prevent trailer wheels from moving by using wheel chocks while extending or retracting.
9. Before towing, fully raise Trailer Jack and secure properly in it's horizontal position (foot to the rear).
10. Always keep feet, arms, and legs out from under jack and tongue when applying and releasing load, or moving trailer.
11. Inspect before use. Do not use if parts are loose or damaged.

12. Use in accordance with the Department of Transportation (DOT) regulations. Information about DOT regulations can be found at www.dot.gov/regulations.html
13. Read manual before installation and/or use.
14. Maintain labels and nameplates on the tool. These carry important safety information. If unreadable or missing, contact Harbor Freight Tools for a replacement.
15. This product is not a toy. Children should be kept at a safe distance, and never allowed to operate the Trailer Jack.
16. Follow all state regulations for safety and towing when using Trailer Jack, including using safety chains securely attached to the towing vehicle when the trailer is hooked to the vehicle.
17. Not for aircraft purposes.
18. Trailer Jack must always be in the up position (horizontal to ground) when towing the trailer.
19. The warnings, precautions, and instructions discussed in this instruction manual cannot cover all possible conditions and situations that may occur. It must be understood by the operator that common sense and caution are factors which cannot be built into this product, but must be supplied by the operator.

SAVE THESE INSTRUCTIONS.

SPECIFICATIONS

Weight Capacity	2,000 lb.
Maximum Height	23-5/8" (Extended)
Minimum Height	14" (Retracted)
Lift Distance ±	9-5/8"
Net Weight	9.9 Lbs.

Trailer Jack must be welded to side of straight trailer tongue. Once welded to the trailer, the Trailer Jack is an effective aid to hitching, unhitching, leveling and moving the trailer. The Trailer Jack can be used on farm duty trailers as well as recreational boat trailers.

The Trailer Jack is designed for permanent attachment to the trailer tongue, and can be available for use wherever the trailer goes.

UNPACKING

When unpacking, make sure item is intact and undamaged. If parts are missing or broken, call Harbor Freight Tools at 1-800-444-3353.

SET UP INSTRUCTIONS

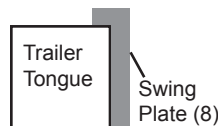


Read the ENTIRE IMPORTANT SAFETY INFORMATION section at the beginning of this manual including all text under subheadings therein before set up or use of this product.

Note: For additional information regarding the parts listed in the following pages, refer to the Assembly Diagram near the end of this manual.

Assembly

The Trailer Jack requires no assembly, but care must be taken to properly mount the Trailer Jack to the trailer. The Trailer Jack design requires that the Swing Plate (8) be securely welded to the side of the trailer's tongue with the lip of the Swing Plate (8) above the tongue for added support.



WARNING: To insure safe operation, welding of the Swing Plate (8) to the trailer tongue must only be done by a certified welder in a safe location, away from all flammable materials.

1. Plan the location of the Trailer Jack.
2. Examine both sides of the trailer tongue and choose the appropriate location for the Jack, keeping in mind the mounting method, and the need to crank the Handle (1).
3. The Trailer Jack is designed to be welded to either side of the trailer tongue, and will swing back in either direction (forward or to the rear). Leave adequate room at both sides of the trailer frame so as to allow horizontal positioning of the Jack, in either forward or rearward position.
4. Before installing the Trailer Jack, properly support the tongue of the trailer so that it is high enough off the ground to provide clearance for the Jack. Take precautions to insure the wheels of the trailer are chock and will not roll.
5. Remove Retaining Ring (7) and detach the Swing Plate (8). Carefully remove the paint from Plate edges. Position lip of the Plate over top of the trailer tongue and commence welding. Once the Swing Plate (8) is properly welded to the trailer tongue, attach the Jack to the Plate and secure in place with the Retaining Ring (7). Test the Trailer Jack to make sure it functions correctly.
6. Crank the Handle (1) both ways to make sure the Trailer Jack extends and retracts properly.
7. Pull out the Pull Pin Handle (9) and swing the Trailer Jack upward to horizontal position. Make sure the Pull Pin (10) engages into the Swing Plate (8) and locks the Trailer Jack in this upward position.
8. After you have tested the Trailer Jack and are confident of it's proper operation, the Trailer Jack is ready for use.
9. **Note:** Always have the open end of the Rotating Pin (13) pointed to the jack.

OPERATING INSTRUCTIONS



Read the **ENTIRE IMPORTANT SAFETY INFORMATION** section at the beginning of this manual including all text under subheadings therein before set up or use of this product.

Mount and dismount Trailer only on smooth, level surfaces.

Mounting The Trailer To The Towing Vehicle.

1. Before mounting, chock the trailer wheels to prevent the trailer from rolling.
2. Crank the Handle (1) counterclockwise to extend the leg to the desired height.
3. Maneuver the vehicle so that the trailer's hitch is directly over the towing vehicle's hitch ball.
4. Rotate the Handle clockwise to retract the Trailer Jack, and lower the tongue hitch onto the hitch ball.
5. Tighten the hitch retainer mechanism.
6. Continue turning the Handle (1) until the leg is fully retracted.
7. Pull out the Pull Pin (10) and rotate the Trailer Jack to its horizontal position. Make sure that it locks into the Swing Plate.
8. The Handle (1) should also be swung over and positioned to rest on top of the trailer tongue.
9. Before towing, always swing the Trailer Jack to its horizontal position (foot facing rearward). Always keep feet and hands clear of the hitch, the tongue and the area underneath.
10. **Caution:** Before driving the vehicle and trailer to your destination, always use safety chains to secure the trailer to the towing vehicle.

Removing The Trailer From The Towing Vehicle

Take the necessary precautions against uncontrolled trailer movement (use wheel chocks), before loosening the trailer hitching mechanism. Turn the Handle (1) counterclockwise to raise the tongue of the trailer from the hitch ball. Keep hands and feet clear of the hitch, tongue and the area underneath the tongue.

Leveling and Moving

1. In the unhitched mode, the trailer can be leveled front to back by turning the Handle either clockwise or counterclockwise.
2. If the trailer is to be stored in this mode, it is advised that the trailer wheels be properly chocked.

Towing

While the trailer is being towed, the Trailer Jack must be pivoted into the horizontal position with the foot facing rearward.

MAINTENANCE AND SERVICING



Procedures not specifically explained in this manual must be performed only by a qualified technician.



**TO PREVENT
SERIOUS INJURY**

FROM TOOL FAILURE:

Do not use damaged equipment. If abnormal noise or vibration occurs, have the problem corrected before further use.

Cleaning, Maintenance, and Lubrication

1. **BEFORE EACH USE**, inspect the general condition of the tool. Check for loose hardware, misalignment or binding of moving parts, cracked or broken parts, and any other condition that may affect its safe operation.
2. No lubrication is necessary until the product is dismantled for maintenance.
3. **AFTER USE**, wipe external surfaces of the tool with clean cloth, then dry.
4. Occasionally pull out the Pull Pin (10) and place a drop of lubricating oil over it's shank.

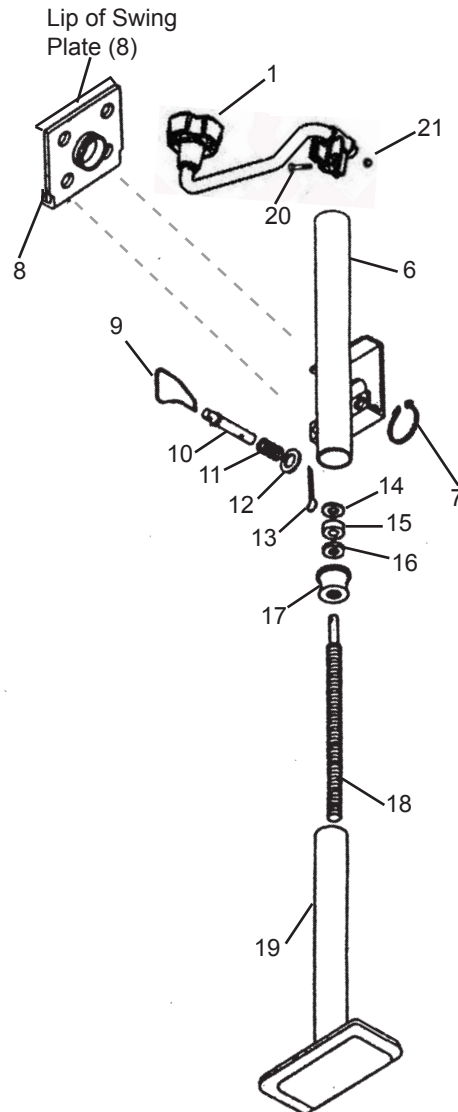
PLEASE READ THE FOLLOWING CAREFULLY

THE MANUFACTURER AND/OR DISTRIBUTOR HAS PROVIDED THE PARTS LIST AND ASSEMBLY DIAGRAM IN THIS MANUAL AS A REFERENCE TOOL ONLY. NEITHER THE MANUFACTURER OR DISTRIBUTOR MAKES ANY REPRESENTATION OR WARRANTY OF ANY KIND TO THE BUYER THAT HE OR SHE IS QUALIFIED TO MAKE ANY REPAIRS TO THE PRODUCT, OR THAT HE OR SHE IS QUALIFIED TO REPLACE ANY PARTS OF THE PRODUCT. IN FACT, THE MANUFACTURER AND/OR DISTRIBUTOR EXPRESSLY STATES THAT ALL REPAIRS AND PARTS REPLACEMENTS SHOULD BE UNDERTAKEN BY CERTIFIED AND LICENSED TECHNICIANS, AND NOT BY THE BUYER. THE BUYER ASSUMES ALL RISK AND LIABILITY ARISING OUT OF HIS OR HER REPAIRS TO THE ORIGINAL PRODUCT OR REPLACEMENT PARTS THERETO, OR ARISING OUT OF HIS OR HER INSTALLATION OF REPLACEMENT PARTS THERETO.

PARTS LIST

Part	Description	Qty
1	Handle	1
6	Outer Tube	1
7	Retaining Ring	1
8	Swing Plate	1
9	Pull Pin Handle	1
10	Pull Pin	1
11	Spring	1
12	Washer #2	1
13	Retaining Pin	1
14	Flat Washer	1
15	Bearing	1
16	Thick Washer	1
17	Nut	1
18	Spindle	1
19	Foot	1
20	Screw	1
21	Nut	1

ASSEMBLY DIAGRAM



Record Product's Serial Number Here: _____

Note: If product has no serial number, record month and year of purchase instead.

Note: Some parts are listed and shown for illustration purposes only, and are not available individually as replacement parts.