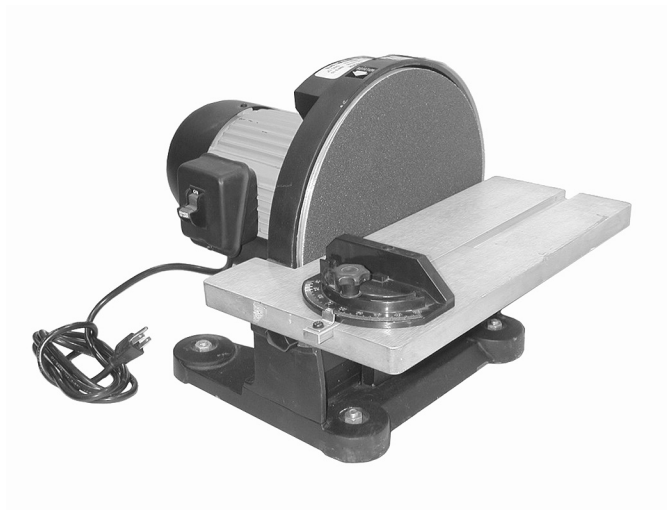


CENTRAL MACHINERY®

DISC SANDER - 12 INCH

Model 43468

SET UP AND OPERATING INSTRUCTIONS



Distributed exclusively by Harbor Freight Tools®.
3491 Mission Oaks Blvd., Camarillo, CA 93011
Visit our website at: <http://www.harborfreight.com>



**Read this material before using this product.
Failure to do so can result in serious injury.
SAVE THIS MANUAL.**

Copyright® 2000 by Harbor Freight Tools®. All rights reserved. No portion of this manual or any artwork contained herein may be reproduced in any shape or form without the express written consent of Harbor Freight Tools. Diagrams within this manual may not be drawn proportionally. Due to continuing improvements, actual product may differ slightly from the product described herein. Tools required for assembly and service may not be included.

For technical questions or replacement parts, please call 1-800-444-3353.

Specifications

Motor	120 V~ / 60 Hz / 1.25 HP; 1750 RPM
Power Switch	On/Off with removable locking key
Power Cord	6 Foot, 3-prong
Sanding Surface	12" Disc (one 80 grit disc supplied)
Table	16-3/8 (L) x 6-7/8 (W) inches; Tilt: 0 ~ 30° and 0 to 50° in 5° increments Height: 7-5/8 inches
Mitre Gauge	90° ~ 30° left and right in 1° increments
Vacuum Port	2.8 inches (O.D.)
Weight	83.2 lb.

Note: Performance of this tool may vary depending on variations in local line voltage. Extension cord usage may also affect tool performance.

Save This Manual

You will need the manual for the safety warnings and precautions, assembly instructions, operating and maintenance procedures, parts list and diagram. Keep your invoice with this manual. Write the invoice number on the inside of the front cover. Keep the manual and invoice in a safe and dry place for future reference.

Safety Warnings and Precautions

WARNING: When using tool, basic safety precautions should always be followed to reduce the risk of personal injury and damage to equipment.

Read all instructions before using this tool!

1. **Keep work area clean.** Cluttered areas invite injuries.
2. **Observe work area conditions.** Do not use machines or power tools in damp or wet locations. Don't expose to rain. Keep work area well lighted. Do not use electrically powered tools in the presence of flammable gases or liquids.
3. **Keep children away.** Children must never be allowed in the work area. Do not let them handle machines, tools, or extension cords.
4. **Store idle equipment.** When not in use, tools must be stored in a dry location to inhibit rust. Always lock up tools and keep out of reach of children.
5. **Do not force tool.** It will do the job better and more safely at the rate for which it was intended. Do not use inappropriate attachments in an attempt to exceed the tool capacity.
6. **Use the right tool for the job.** Do not attempt to force a small tool or attachment to do the work of a larger industrial tool. There are certain applications for which this tool was designed. Do not use a tool for a purpose for which it was not intended.
7. **Dress properly.** Do not wear loose clothing or jewelry as they can be caught in moving parts. Protective, electrically non-conductive clothes and non-skid footwear are recommended when working. Wear restrictive hair covering to contain long hair.

8. **Use eye and ear protection.** Always wear ANSI approved impact safety goggles. Wear a full face shield if you are producing metal filings or wood chips. Wear an ANSI approved dust mask or respirator when working around metal, wood, and chemical dusts and mists. Wear ear protection when sanding for long periods.
9. **Do not overreach.** Keep proper footing and balance at all times. Do not reach over or across running machines.
10. **Maintain tools with care.** Keep tools sharp and clean for better and safer performance. Follow instructions for lubricating and changing accessories. Inspect tool cords periodically and, if damaged, have them repaired by an authorized technician.
11. **Disconnect power.** Unplug when not in use.
12. **Remove adjusting keys and wrenches.** Check that keys and adjusting wrenches are removed from the tool or machine work surface before plugging it in.
13. **Avoid unintentional starting.** Be sure the switch is in the Off position when not in use and before plugging in.
14. **Stay alert.** Watch what you are doing, use common sense. Do not operate any tool when you are tired.
15. **Check for damaged parts.** Before using any tool, any part that appears damaged should be carefully checked to determine that it will operate properly and perform its intended function. Check for alignment and binding of moving parts; any broken parts or mounting fixtures; and any other condition that may affect proper operation. Any part that is damaged should be properly repaired or replaced by a qualified technician. Do not use the tool if any switch does not turn On and Off properly.
16. **Guard against electric shock.** Prevent body contact with grounded surfaces such as pipes, radiators, ranges, and refrigerator enclosures.
17. **Replacement parts and accessories.** When servicing, use only identical replacement parts. Use of any other parts will void the warranty. Only use accessories intended for use with this tool. Approved accessories are available from Harbor Freight Tools.
18. **Do not operate tool if under the influence of alcohol or drugs.** Read warning labels on prescriptions to determine if your judgment or reflexes are impaired while taking drugs. If there is any doubt, do not operate the tool.
19. **Avoid causing fires.** When sanding metals, remove dust collecting bags and hoses from the machine. Sparks or hot metal could start a fire. Clean all wood dust before and after sanding metal.
20. **Avoid flammable liquids.** To avoid possible fires, never use sander near flammable liquids, vapors, or gases.
21. **Avoid breathing dust.** Wear a dust mask over your mouth and nose.
22. **Use proper size and type extension cord.** If an extension cord is required, it must be of the proper size and type to supply the correct current to the tool without heating up. Otherwise, the extension cord could melt and catch fire, or cause electrical dam-

age to the tool. This tool requires use of an extension cord of **0 to 20 amps** capability (up to 50 feet), with wire size rated at **14 AWG**. Longer extension cords require larger size wire. If you are using the tool outdoors, use an extension cord rated for outdoor use (signified by “WA” on the jacket).

23. People with pacemakers should consult their physician(s) before use. Electromagnetic fields in close proximity to heart pacemaker could cause pacemaker interference or pacemaker failure.
24. **WARNING:** Some dust created by power sanding, sawing, grinding, drilling, and other construction activities, contains chemicals known [to the State of California] to cause cancer, birth defects or other reproductive harm. Some examples of these chemicals are:
 - Lead from lead-based paints
 - Crystalline silica from bricks and cement or other masonry products
 - Arsenic and chromium from chemically treated lumberYour risk from these exposures varies, depending on how often you do this type of work. To reduce your exposure to these chemicals: work in a well ventilated area, and work with approved safety equipment, such as those dust masks that are specially designed to filter out microscopic particles. (California Health & Safety Code § 25249.5, *et seq.*)
25. **WARNING:** Handling the cord on this product will expose you to lead, a chemical known to the State of California to cause cancer, and birth defects or other reproductive harm. Wash hands after handling. (California Health & Safety Code § 25249.5, *et seq.*)
26. **The warnings, cautions, and instructions discussed in this instruction manual cannot cover all possible conditions and situations that may occur. It must be understood by the operator that common sense and caution are factors which cannot be built into this product, but must be supplied by the operator.**

Unpacking

When unpacking, check to make sure the following parts are included.

Parts should include: Disc Sander unit with Work Table, Mitre Gauge, Key Switch, and three 12-inch sanding discs.

If any parts are missing or broken, please call Harbor Freight Tools at the number on the cover of this manual as soon as possible.

Installation

1. Set the Disc Sander on a sturdy work bench. Optionally, the Rubber Pads (50) can be removed and the Disc Sander Base (49) can be permanently bolted to the bench.
2. Mount the Sanding Pad (1). See page 5 for instructions.
3. Place the Mitre Gauge on the Work Table (46).
4. Insert the Plug (73) into an electrical outlet with a minimum current capability of 20 amps.

REV 09b

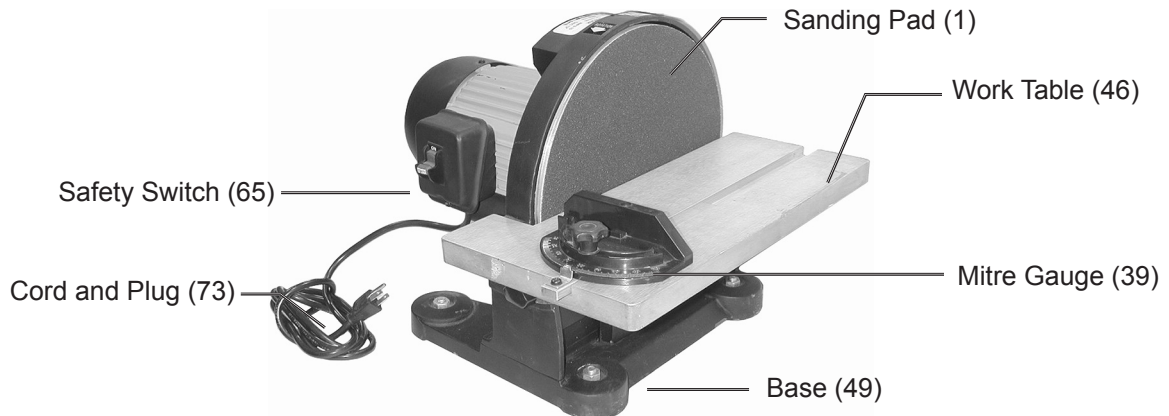
Operation

Leveling Work Table

1. Place a combination square on the Work Table (46) so that it also touches the Sanding Pad (1). Refer to the photos that follow. When the Work Table is 90 degrees to the Sanding Pad, the square is flush on the pad.
2. If the Work Table is not 90 degrees to the pad, loosen the Lock Knob Bolts (7), and tilt the table until the square is flush with the pad.
3. Retighten the Lock Knob Bolts.



4. Loosen Screws (31) holding the Reference Pointer (29) and adjust Pointer until it is aligned over "0" degrees.



5. Place the Mitre Gauge in the Work Table groove.

Placing the Work Table on an Angle

1. Loosen the Lock Knob Bolts (7), and tilt the table to the desired angle as read on the Scale Plate (43).
2. Retighten the Lock Knob Bolts.

Replacing Sanding Pad

1. Remove Work Table (46) assembly.

2. Peel off old Sanding Pad. It may be necessary to use a mild solvent to remove any remaining glue on the Disc Plate (4).
3. Locate Sanding Pad (1) and peel off the Disc backing.
4. Align perimeter of Sanding Pad over Disc Plate (4) and press in place until secure.
5. Replace Work Table assembly.

ON/OFF Safety Switch

1. Insert the Switch Key (64) into the safety Switch (65).
2. To turn machine ON, place finger under safety Switch and push up.
3. To turn machine OFF, place finger over safety Switch and press down.
4. To lock safety Switch in the OFF position, pull the Switch Key out and store in a safe location.



Caution: Never walk away from the machine when it is running. Always lock the safety Switch in the OFF position when not in use.

Caution: Always sand on the down movement side of the Sanding Disc and Sanding Roll. Otherwise, the workpiece could fly up and hit you.

Maintenance

1. Apply a light coat of paste wax to the Work Table to make feeding stock easier.
2. Use compressed air to blow out dust and debris from sander and motor after each use.
3. Store in a clean and dry location.
4. Unplug when not in use.
5. Replace Sanding Pad when its paper backing begins to tear.

PLEASE READ THE FOLLOWING CAREFULLY

THE MANUFACTURER AND/OR DISTRIBUTOR HAS PROVIDED THE PARTS DIAGRAM IN THIS MANUAL AS A REFERENCE TOOL ONLY. NEITHER THE MANUFACTURER NOR DISTRIBUTOR MAKES ANY REPRESENTATION OR WARRANTY OF ANY KIND TO THE BUYER THAT HE OR SHE IS QUALIFIED TO MAKE ANY REPAIRS TO THE PRODUCT OR THAT HE OR SHE IS QUALIFIED TO REPLACE ANY PARTS OF THE PRODUCT. IN FACT, THE MANUFACTURER AND/OR DISTRIBUTOR EXPRESSLY STATES THAT ALL REPAIRS AND PARTS REPLACEMENTS SHOULD BE UNDERTAKEN BY CERTIFIED AND LICENSED TECHNICIANS AND NOT BY THE BUYER. THE BUYER ASSUMES ALL RISK AND LIABILITY ARISING OUT OF HIS OR HER REPAIRS TO THE ORIGINAL PRODUCT OR REPLACEMENT PARTS THERETO, OR ARISING OUT OF HIS OR HER INSTALLATION OF REPLACEMENT PARTS THERETO.

Parts List

Part	Description	Qty
1	Sanding Pad	1
2	Cross Countersunk Screw, M6x20	1
3	Washer	1
4	Disc Plate	1
5	Cross Panhead Screw, M5x20	3
6	Spring Washer, 5	3
7	Lock Knob Bolt	2
8	Adjusting Pin	2
9	Disc Plate Housing	1
10	Wave Washer	1
11	Bearing	2
12	Key	1
13	Rotor	1
14	Cent. Switch	1
15	Baffle Clip	1
16	Stator	1
17	Grounding Mark	1
18	Cross Panhead Screw, M5x6	1
19	Toothed Washer, 5	1
20a	Run Capacitor, 20uF/300V	1
21	Capacitor Box	1
22	Flat Washer, 4	2
23	Cross Panhead Screw, M4x6	2
24	Flat Washer	4
25	Cross Panhead Screw	4
26	Seal Cover	1
27	Seal Washer	1
28	Spring Washer, 4	2
29	Reference Pointer	1
30	Flat Washer, 4	2
31	Cross Panhead Screw, M4x6	2
32	Cross Panhead Screw, M6x20	2
33	Spring Washer, 6	2
34	Dust Chute Cover	1
37	Adjustment Knob Bolt	1
38	Flat Washer, 5	1
39	Mitre Gauge	1
40	Cross Panhead Screw, M5x6	1
41	Mitre Gauge Pointer	1
42	Gauge Slide	1

Part	Description	Qty
43	Scale Plate	2
44	Spring Washer, 6	6
45	Hex. Bolt, M6x8	6
46	Work Table	1
47	Hex Nut, M8	4
48	Flat Washer, 8	4
49	Base	1
50	Rubber Pad	4
51	Flat Washer, 8	4
52	Hex. Bolt, M8x25	4
53	Spring Washer, 12	2
54	Hex. Bolt, M12x25	2
55	Cross Panhead Screw, M4x6	2
56	Cent. Switch Plate	1
57	End Bell	1
58	Spring Washer, 5	3
59	Cross Panhead Screw, M5x25	3
60	Fan Blade	1
61	Cross Panhead Screw, M4x6	3
62	Flat Washer, 4	3
63	Fan Cover	1
64	Switch Key	1
65	Switch	1
66	Cross Panhead Screw, M4x8	1
67	Toothed Washer, 4	1
68	Switch Box	1
69	Cross Panhead Screw, M5x10	4
70	Spring Washer, 5	4
71	Wiring Box	1
72	Cord Bushing	1
73	Cord and Plug	1
74	Grounding Lug	1
75	Flat washer, 5	1
76	Warning Label	1
77	Rotation Label	1
78	Name Plate	1
79	Start Capacitor 100uF/125V	1
80	Capacitor Box	1
81	Flat Washer 4	2
82	Cross Panhead Screw, M4*6	2

NOTE: Some parts are listed and shown for illustration purposes only and are not available individually as replacement parts.

Assembly Drawing

