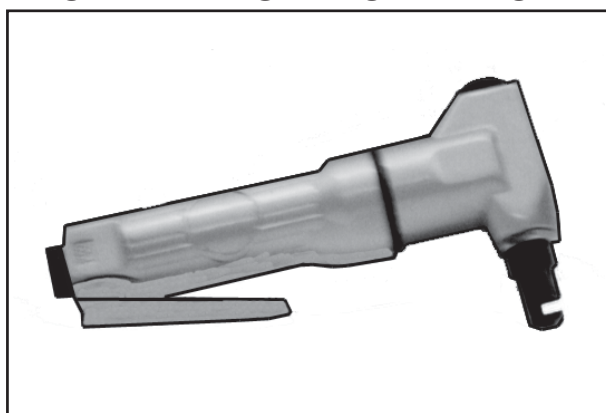


CENTRAL PNEUMATIC®

AIR NIBBLER

Model 46061

OPERATING INFORMATION



3491 Mission Oaks Blvd., Camarillo, CA 93011
Visit our Web site at <http://www.harborfreight.com>

Copyright ©2001 by Harbor Freight Tools. All rights reserved. No portion of this manual or any artwork contained herein may be reproduced in any shape or form without the express written consent of Harbor Freight Tools.

For technical questions please call 1-800-444-3353

SPECIFICATIONS TABLE

Item	Description
Cutting Capacity	1/16" (16 Gauge) Steel / 5/64" Aluminum
Operating PSI	90
Air Consumption	17.5 CFM @ 90 PSI Continuous Flow
No Load Reciprocation	3,500
Recommended Hose I.D.	3/8"
Air Inlet Size	1/4" NPT
Length	8-1/4"
Weight	1.95 Lbs.

SAVE THIS MANUAL

You will need this manual for the safety warnings and precautions, operating and maintenance procedures, parts list and diagram. Keep your invoice with this manual. Write the invoice number on the inside of the front cover. Keep this manual and invoice in a safe and dry place for future reference.

SAFETY WARNINGS AND PRECAUTIONS

1. **KEEP WORK AREA CLEAN AND DRY.** Cluttered, damp or wet work areas invite injuries.
2. **KEEP CHILDREN AWAY FROM WORK AREA.** Do not allow children to handle this product.
3. **STORE IDLE EQUIPMENT.** When not in use, tools and equipment should be stored in a dry location to inhibit rust. Always lock up tools and equipment and keep out of reach of children.
4. **DO NOT USE THIS PRODUCT IF UNDER THE INFLUENCE OF ALCOHOL OR DRUGS.** Read warning labels on prescriptions to determine if your judgement or reflexes are impaired while taking drugs. If there is any doubt, do not attempt to use this tool.
5. **USE EYE AND HEARING PROTECTION.** Wear ANSI approved safety impact eye glasses and ANSI approved hearing protection when working with this product. ANSI approved safety impact eye glasses and hearing protection are available from Harbor Freight Tools.

6. **DRESS SAFELY.** Non-skid footwear or safety shoes should be used when working with this product. Do not wear loose clothing or jewelry as they can become caught in moving parts. Wear a protective hair covering to prevent long hair from becoming caught in moving parts.
7. **INDUSTRIAL APPLICATIONS MUST FOLLOW OSHA REQUIREMENTS.**
8. **DO NOT OVERREACH.** Keep proper footing and balance at all times to prevent tripping, falling, back injury, etcetera.
9. **STAY ALERT.** Watch what you are doing at all times. Use common sense. Do not use this tool when you are tired or distracted from the job at hand.
10. **CHECK FOR DAMAGED PARTS.** Before using this product, carefully check that this tool will operate properly and perform its intended function. Check for damaged parts and any other conditions that may affect the operation of this tool. Replace or repair damaged or worn parts immediately.
11. **REPLACEMENT PARTS AND ACCESSORIES.** When servicing, use only identical replacement parts. Only use accessories intended for use with this product. Approved accessories are available from Harbor Freight Tools.
12. **MAINTAIN THIS PRODUCT WITH CARE.** Keep this tool clean and dry for better and safer performance.
13. **MAINTENANCE:** For your safety, service and maintenance should be performed regularly by a qualified technician.
14. **USE THE RIGHT PRODUCT FOR THE RIGHT JOB.** There are certain applications for which this product was designed. Do not use a small tool or attachment to do the work of a larger industrial tool or attachment. Do not use this product for a purpose for which it was not intended.
15. **WARNING:** The warnings and precautions discussed in this manual cannot cover all possible conditions and situations that may occur. It must be understood by the operator that common sense and caution are factors which cannot be built into this product, but must be supplied by the operator.

SPECIFIC PRODUCT WARNINGS AND PRECAUTIONS

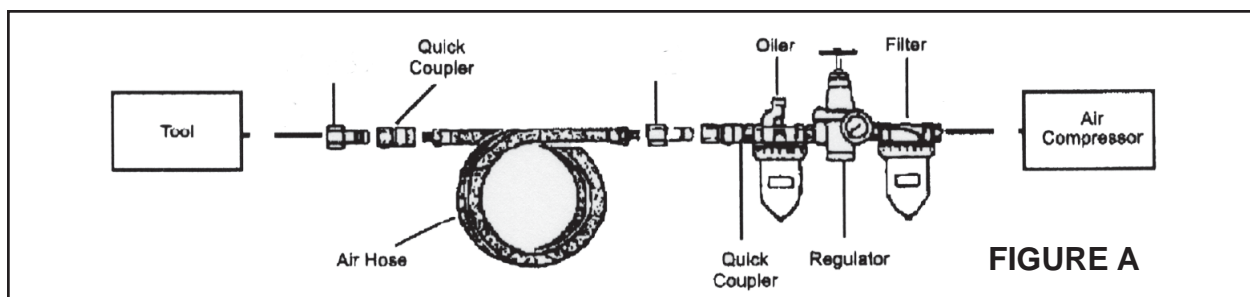
1. **USE CLEAN, DRY, REGULATED COMPRESSED AIR AT 90 PSI.** Do not exceed the recommended 90 PSI. Never use oxygen, carbon dioxide, combustible gases or any other bottled gas as a power source for these tools.

2. **WHEN CONNECTING TO THE AIR SUPPLY:**

A. Wrap approximately 4" of Teflon tape around the male threads of a Quick Connector (not provided). Then, wrench tighten the Quick Connector into the Air Inlet Bushing (part #1) of the Air Nibbler. **(See Figures A, B, and Assy. Diagram.)**

B. If an automatic oiler is not used, add two drops of oil into the Quick Connector of the tool.

C. Turn on the compressor and set the regulator to the pressure recommended for this tool (90 PSI).



3. **ALWAYS DISCONNECT TOOL FROM ITS COMPRESSED AIR SUPPLY SOURCE BEFORE PERFORMING ANY SERVICES OR MAINTENANCE** such as cleaning the tool, moving to a different work location, handing the tool to another person, etcetera.
4. **MAINTAIN A SAFE WORK ENVIRONMENT.** Keep work area well lit. Make sure there is adequate surrounding work space. Use this product in a well ventilated area. Do not operate this product in the presence of flammable liquids, gasses, or dust.
5. **DO NOT FORCE THE EQUIPMENT.** This product will do the work better and safer at the speed and capacity for which it was designed.
6. **AVOID UNINTENTIONAL STARTING.** Make sure you are prepared to begin work before depressing the Throttle Lever (part #2). **(See Figure B, and Assy. Diagram.)**
7. **WARNING:** This product contains or produces a chemical known to the State of California to cause cancer and birth defects (or other reproductive harm). *(California Health & Safety Code 25249.5 et seq.)*
8. Some dust created by power sanding, sawing, grinding, drilling, and other construction activities, contain chemicals known [to the State of California] to cause cancer, birth defects or other reproductive harm.

Some examples of these chemicals are: A) Lead from lead-based paints, B) Crystalline silica from bricks and cement or other masonry products, C) Arsenic and chromium from chemically treated lumber. Your risk from these exposures varies, depending on how often you do this type of work. To reduce your exposure to these chemicals: work in a well ventilated area, and work with approved safety equipment, such as those dust masks that are specially designed to filter out microscopic particles. (California Health & Safety Code 25249.5, *et seq.*)

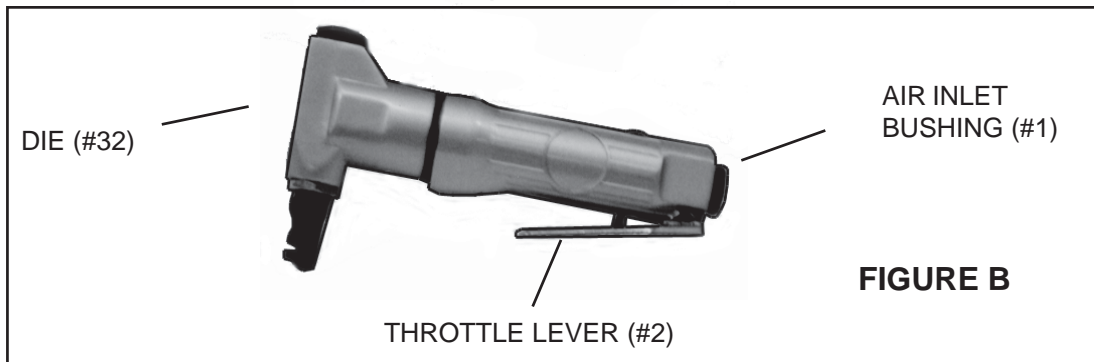
UNPACKING

When unpacking, check to make sure all parts shown on the Parts List (page 7) are included. If any parts are missing or broken, please call Harbor Freight Tools at the number shown on the cover of this manual as soon as possible.

OPERATING INSTRUCTIONS

NOTE: All parts below refer to the parts listed on page 7 of this manual.

1. Make sure the material to be cut does not exceed the capacity for this Air Nibbler: 1/16" (16 Gauge) for steel, 5/64" for aluminum.
2. On the material, mark the line or shape to be cut.
3. Grip the Air Nibbler firmly, and depress the Throttle Lever (part #2) to begin cutting. **(See Figure B, and Assy. Diagram.)**



4. Apply light pressure to move the Air Nibbler through the material. If the Air Nibbler stalls while cutting, release pressure on the Throttle Lever (part #2) to turn off the tool. Then, back the tool out an inch and restart the cutting process.
5. **NOTE:** The Air Nibbler is designed for cutting gradual curves, not 90 degree corners.
6. When finished cutting, release pressure on the Throttle Lever (part #2) to turn off the tool. Then, disconnect the Air Nibbler from its compressed air supply source.

CLEANING AND MAINTENANCE

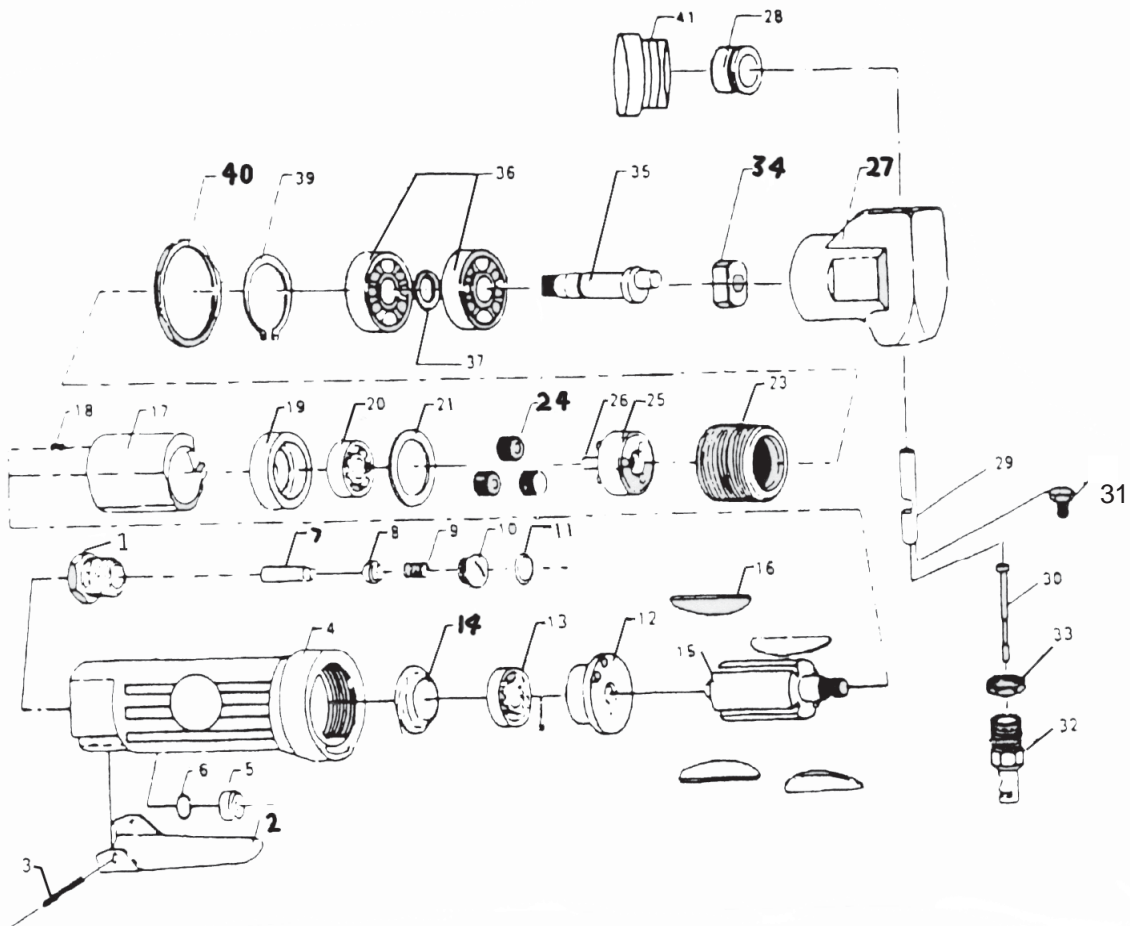
1. **Caution:** Always disconnect the Air Nibbler from its compressed air supply source before performing any cleaning, servicing, or maintenance.
2. Before each use, inspect the general condition of the Air Nibbler. Check for loose screws, misalignment, binding of moving parts, broken parts, loose or damaged air hose, and any other condition that may affect its safe operation. If abnormal noise or vibration occurs, disconnect the Air Nibbler from its compressed air supply source immediately and have the problem corrected before further use. Do not use damaged equipment.
3. Periodically, inspect the condition of the Cutter (part #30). If dull or damaged, the Cutter (available from Harbor Freight Tools) should be replaced. To replace, unscrew and remove the Die (part #32). Unscrew and remove the Nut (part #33). Unscrew and remove the Screw (part #31), and pull the Cutter out of the Pushing Rod (part #29). Replace the Cutter, making sure the tip of the cutting edge fits snugly into the Pushing Rod. Then, reverse the steps above to re-assemble the Air Nibbler. **(See Assy. Diagram.)**
4. If necessary, wipe with a damp cloth. You may use a mild detergent or non-flammable solvent.
5. Once clean, lubricate all moving parts with a light oil.
6. When storing, keep the Air Nibbler covered with a cloth cover.

PLEASE READ THE FOLLOWING CAREFULLY

THE MANUFACTURER AND/OR DISTRIBUTOR HAS PROVIDED THE PARTS DIAGRAM IN THIS MANUAL AS A REFERENCE TOOL ONLY. NEITHER THE MANUFACTURER NOR DISTRIBUTOR MAKES ANY REPRESENTATION OR WARRANTY OF ANY KIND TO THE BUYER THAT HE OR SHE IS QUALIFIED TO MAKE ANY REPAIRS TO THE PRODUCT OR THAT HE OR SHE IS QUALIFIED TO REPLACE ANY PARTS OF THE PRODUCT. IN FACT, THE MANUFACTURER AND/OR DISTRIBUTOR EXPRESSLY STATES THAT ALL REPAIRS AND PARTS REPLACEMENTS SHOULD BE UNDERTAKEN BY CERTIFIED AND LICENSED TECHNICIANS AND NOT BY THE BUYER. THE BUYER ASSUMES ALL RISK AND LIABILITY ARISING OUT OF HIS OR HER REPAIRS TO THE ORIGINAL PRODUCT OR REPLACEMENT PARTS THERETO, OR ARISING OUT OF HIS OR HER INSTALLATION OF REPLACEMENT PARTS THERETO.

PARTS LIST/ ASSEMBLY DIAGRAM

Part #	Description	Qty.	Part #	Description	Qty.
1	Air Inlet Bushing	1	21	Washer	1
2	Throttle Lever	1	23	Gear Case	1
3	Handle Pin	1	24	Idler-Gear	3
4	Handle, Throttle	1	25	Rear Spindle	1
5	O-Ring Keeper	1	26	Idler Gear Pin	3
6	O-Ring	1	27	Nibbler Head	1
7	Valve Stem	1	28	Pushing Rod Bushing	1
8	Valve Ball	1	29	Pushing Rod	1
9	Spring	1	30	Cutter	1
10	Plug	1	31	Screw	1
11	O-Ring	1	32	Die	1
12	Rear End Plate	1	33	Nut	1
13	Bearing	1	34	Drive Bushing	2
14	End Plate Cap	1	35	Shaft	1
15	Rotor	1	36	Bearing	2
16	Vane	4	37	Washer	1
17	Cylinder	1	39	Snap Ring	1
18	Pin	1	40	Nut	1
19	Front End Plate	1	41	Plug	1
20	Bearing	1			1



NOTE: Some parts are listed and shown for illustration purposes only, and are not available individually as replacement parts.

90 Day Warranty

Harbor Freight Tools Co. makes every effort to assure that its products meet high quality and durability standards, and warrants to the original purchaser that this product is free from defects in materials and workmanship for the period of 90 days from the date of purchase. This warranty does not apply to damage due directly or indirectly, to misuse, abuse, negligence or accidents, repairs or alterations outside our facilities, criminal activity, improper installation, normal wear and tear, or to lack of maintenance. We shall in no event be liable for death, injuries to persons or property, or for incidental, contingent, special or consequential damages arising from the use of our product. Some states do not allow the exclusion or limitation of incidental or consequential damages, so the above limitation of exclusion may not apply to you. THIS WARRANTY IS EXPRESSLY IN LIEU OF ALL OTHER WARRANTIES, EXPRESS OR IMPLIED, INCLUDING THE WARRANTIES OF MERCHANTABILITY AND FITNESS.

To take advantage of this warranty, the product or part must be returned to us with transportation charges prepaid. Proof of purchase date and an explanation of the complaint must accompany the merchandise. If our inspection verifies the defect, we will either repair or replace the product at our election or we may elect to refund the purchase price if we cannot readily and quickly provide you with a replacement. We will return repaired products at our expense, but if we determine there is no defect, or that the defect resulted from causes not within the scope of our warranty, then you must bear the cost of returning the product.

This warranty gives you specific legal rights and you may also have other rights which vary from state to state.

3491 Mission Oaks Blvd. • PO Box 6009 • Camarillo, CA 93011 • (800) 444-3353