





# IMPORTANT SAFETY INSTRUCTIONS

**When using your garage equipment, basic safety precautions should always be followed, including the following:**

1. Read all instructions.
2. Do not operate equipment with a damaged cord or if the equipment has been dropped or damaged – until it has been examined by a qualified service person.
3. Do not let a cord hang over the edge of the table, bench, or counter or come in contact with hot manifolds or moving fan blades.
4. If an extension cord is necessary, a cord with a current rating equal to or more than that of the equipment should be used. Cords rated for less current than the equipment may overheat. Care should be taken to arrange the cord so that it will not be tripped over or pulled.
5. Always unplug equipment from electrical outlet when not in use. Never use the cord to pull the plug from the outlet. Grasp plug and pull to disconnect.
6. Loop cord loosely around equipment when storing.
7. To reduce the risk of fire, do not operate equipment in the vicinity of open containers of flammable liquids (gasoline).
8. Adequate ventilation should be provided when working on operating internal combustion engines.

## **TOOL STORAGE SAFETY**

For technical questions, please call 1-888-866-5797.



9. Keep hair, loose clothing, fingers, and all parts of body away from moving parts.
10. To reduce the risk of electric shock, do not use on wet surfaces or expose to rain.
11. Use only as described in this manual. Use only manufacturer's recommended attachments.
12. **ALWAYS WEAR SAFETY GLASSES.**  
Everyday eyeglasses only have impact resistant lenses, they are not safety glasses.
13. To reduce the risk of injury, close supervision is necessary when this product will be used around children.
14. To reduce the risk of injury, never overload the drawers or shelves. Refer to loading instructions.
15. To reduce the risk of electric shock or fire, never overload receptacles. Refer to markings for the proper load on receptacles.
16. **TO PREVENT SERIOUS INJURY AND DEATH FROM TIPPING: DO NOT SIT, STAND OR CLIMB ON THIS ITEM.**
17. This product is not a toy nor a toy chest.  
Do not allow children to play with or near this item.
18. Assemble only according to these instructions.  
Improper assembly can create hazards.
19. Wear ANSI-approved safety goggles and heavy-duty work gloves during assembly.



20. Keep assembly area clean and well lit.
21. Keep bystanders out of the area during assembly.
22. Do not assemble when tired or when under the influence of alcohol, drugs or medication.
23. Weight capacity and other product capabilities apply to properly and completely assembled product only.
24. Assemble on a flat, level, hard and smooth surface capable of safely supporting a fully loaded Cabinet.
25. Do not exceed drawer weight capacities, evenly distributed from bottom up.  
**Be aware of dynamic loading!** Sudden load movement may briefly create excess load causing product failure.
26. Do not have more than one Drawer open at a time.
27. Empty, close, and lock Drawers before moving.
28. Use only on a flat, level, hard and smooth surface capable of safely supporting a fully loaded Cabinet.  
Do not roll cabinet over concrete seams or other rough/uneven surfaces.
29. Do not lift using handle(s).  
Do not move or lift while loaded.
30. Lock Swivel Casters after moving.
31. Do not mount on truck bed or any other moving object.

32. Use as intended only.
33. Inspect before every use;  
do not use if parts are loose or damaged.
34. Maintain product labels and nameplates. These carry important safety information. If unreadable or missing, contact Harbor Freight Tools for a replacement.

 **SAVE THESE  
INSTRUCTIONS.**

**ICON**<sup>TM</sup>

**ICON**

**28" END LOCKER**

For technical questions, please call 1-888-866-5797.







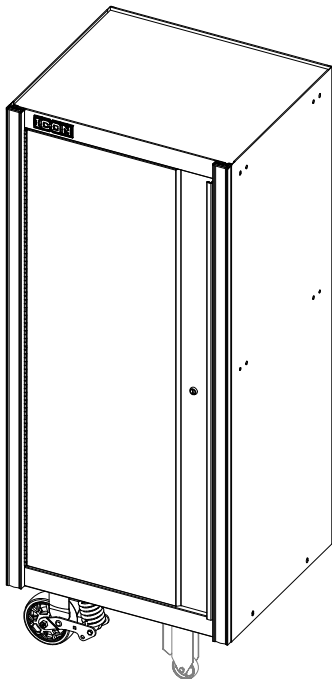
# Owner's Manual & Safety Instructions

**Save This Manual** Keep this manual for the safety warnings and precautions, assembly, operating, inspection, maintenance and cleaning procedures. Write the product's serial number in the back of the manual near the assembly diagram (or month and year of purchase if product has no number). Keep this manual and the receipt in a safe and dry place for future reference.

19c

# ICON™

## 28" END LOCKER



**ITSEL SERIES**

Visit our website at: <http://www.harborfreight.com>  
Email our technical support at: [productsupport@harborfreight.com](mailto:productsupport@harborfreight.com)

When unpacking, make sure that the product is intact and undamaged. If any parts are missing or broken, please call 1-888-866-5797 as soon as possible.

Copyright © 2019 by Harbor Freight Tools®. All rights reserved.  
No portion of this manual or any artwork contained herein may be reproduced in any shape or form without the express written consent of Harbor Freight Tools. Diagrams within this manual may not be drawn proportionally. Due to continuing improvements, actual product may differ slightly from the product described herein. Tools required for assembly and service may not be included.

### **⚠ WARNING**

Read this material before using this product.  
Failure to do so can result in serious injury.  
**SAVE THIS MANUAL.**

**28" END LOCKER**



## Specifications

|  |  |
|--|--|
| <b>Drawer Weight Capacity<br/>(Evenly distributed<br/>from bottom up.)</b> | <b>265 lb per connected<br/>pair of slides</b> |
|--|--|

| <b>Model</b> | <b>Color</b> | <b>Item</b> |
|--------------|--------------|-------------|
| ITSELR       | Red          | 56138       |
| ITSELBLU     | Blue         | 56320       |
| ITSELBLK     | Black        | 56321       |
| ITSELGN      | Green        | 56322       |



# Assembly Instructions

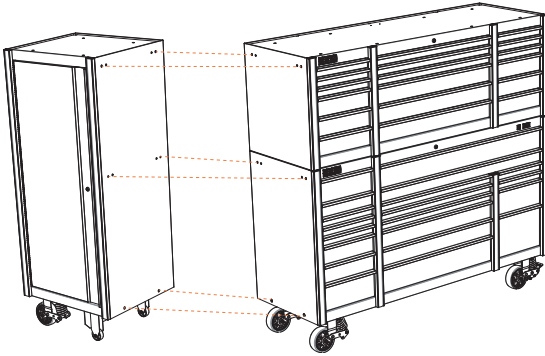


Read the **ENTIRE IMPORTANT SAFETY INFORMATION** section at the beginning of this document including all text under subheadings therein before set up or use of this product.

1. Assemble on a flat, level, hard and smooth surface capable of safely supporting a fully loaded Roll Cab and End Locker.
2. The End Locker can connect to either:
  - a. a fully assembled Roll Cab and Top Chest, or
  - b. a fully assembled Roll Cab, Stainless Steel Top, and Work Center.
3. Decide which side of the Roll Cab you want to install the End Locker. Remove any Handles from that side of the Roll Cab and Top Chest/Work Center.
4. The larger Swivel Brake Casters (19) need to be mounted on the side farther away from the Roll Cab. Depending on mounting location, the location of the Temporary Caster Pair (20) and the Swivel Brake Casters may need to be switched before standing the End Locker upright.

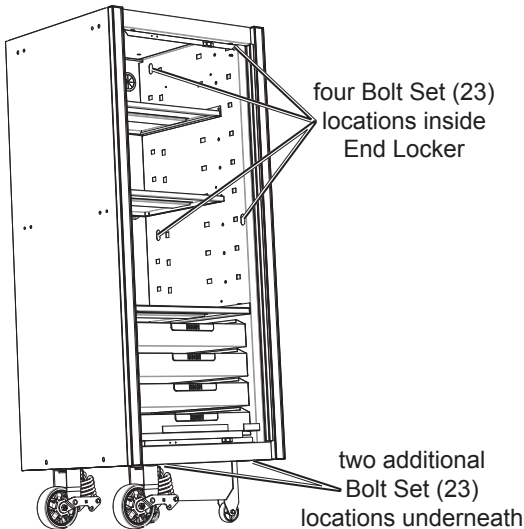
**WARNING! TO PREVENT SERIOUS INJURY FROM TIPPING, make sure the Temporary Caster Pair (20) and both Swivel Brake Casters (19) are securely installed before standing the End Locker upright.**

5. With the Temporary Caster Pair (20) still in place under the End Locker, stand the End Locker upright and roll it against the side of the Roll Cab. Note how the 6 Bolt locations line up.



**Figure A: Bolt Location Alignment**

6. Use four Bolt and Washer Sets (23) from within the End Locker to attach it to the Roll Cab and Top Chest/Work Center.



**Figure B**

7. Use two Bolt and Washer Sets to attach the End Locker to the Roll Cab from underneath.
8. Make sure all parts align properly and then tighten all 6 Bolt and Washer Sets securely.
9. After all screws are properly secured, remove the Caster Bolts (22) that secure the Temporary Caster Pair (20), and remove them. Set the parts aside so that they can be used if changing configuration in the future.

## Changing Door Direction

---

1. The Door (12) can be set to open from the other side if desired.

**CAUTION!** TO PREVENT INJURY, the Door must be properly supported by and assistant during this process.

2. Open the Door and support it.
3. Remove the 13 Door Hinge Screws (13).
4. With assistance, carefully turn the Door 180° so that the hinge aligns with the holes on the other side of the Housing.
5. Reattach the Door using all 13 Door Hinge Screws. Tighten the Door Hinge Screws securely in place.
6. Check the Door for proper operation.





# Operation Instructions



Read the **ENTIRE IMPORTANT SAFETY INFORMATION** section at the beginning of this document including all text under subheadings therein before set up or use of this product.

Unlock Drawers, and fill Chest evenly, from bottom to top. Do not exceed weight capacities.

## Detent Force Adjustment

1. Each slide on the Drawers has a dial to adjust the amount of force required to open the Drawer.
2. Turn the knob on the end of the Drawer slide to the desired detent force setting.
3. Adjust all slides on a Drawer to the same detent force setting. Using different detent force settings on a single Drawer may cause uneven slide motion and damage the slides.

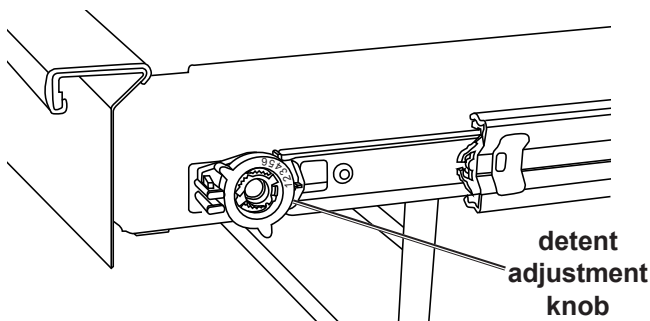


Figure D



## Maintenance and Servicing



Procedures not specifically explained in this manual must be performed only by a qualified technician.

### **WARNING**

**TO PREVENT SERIOUS INJURY FROM TOOL FAILURE:**  
Do not use damaged equipment. If any part becomes damaged, have the problem corrected before further use.

1. **PERIODICALLY**, inspect the general condition of the Chest. Check for:
  - loose hardware,
  - misalignment or binding of moving parts,
  - brake operation,
  - caster swivel function and movement,
  - cracked or broken parts,
  - any other condition that may affect its safe operation.
2. Wipe external surfaces of the Chest with clean cloth.

## PLEASE READ THE FOLLOWING CAREFULLY

---

THE MANUFACTURER AND/OR DISTRIBUTOR HAS PROVIDED THE PARTS LIST AND ASSEMBLY DIAGRAM IN THIS DOCUMENT AS A REFERENCE TOOL ONLY. NEITHER THE MANUFACTURER OR DISTRIBUTOR MAKES ANY REPRESENTATION OR WARRANTY OF ANY KIND TO THE BUYER THAT HE OR SHE IS QUALIFIED TO MAKE ANY REPAIRS TO THE PRODUCT, OR THAT HE OR SHE IS QUALIFIED TO REPLACE ANY PARTS OF THE PRODUCT. IN FACT, THE MANUFACTURER AND/OR DISTRIBUTOR EXPRESSLY STATES THAT ALL REPAIRS AND PARTS REPLACEMENTS SHOULD BE UNDERTAKEN BY CERTIFIED AND LICENSED TECHNICIANS, AND NOT BY THE BUYER. THE BUYER ASSUMES ALL RISK AND LIABILITY ARISING OUT OF HIS OR HER REPAIRS TO THE ORIGINAL PRODUCT OR REPLACEMENT PARTS THERETO, OR ARISING OUT OF HIS OR HER INSTALLATION OF REPLACEMENT PARTS THERETO.

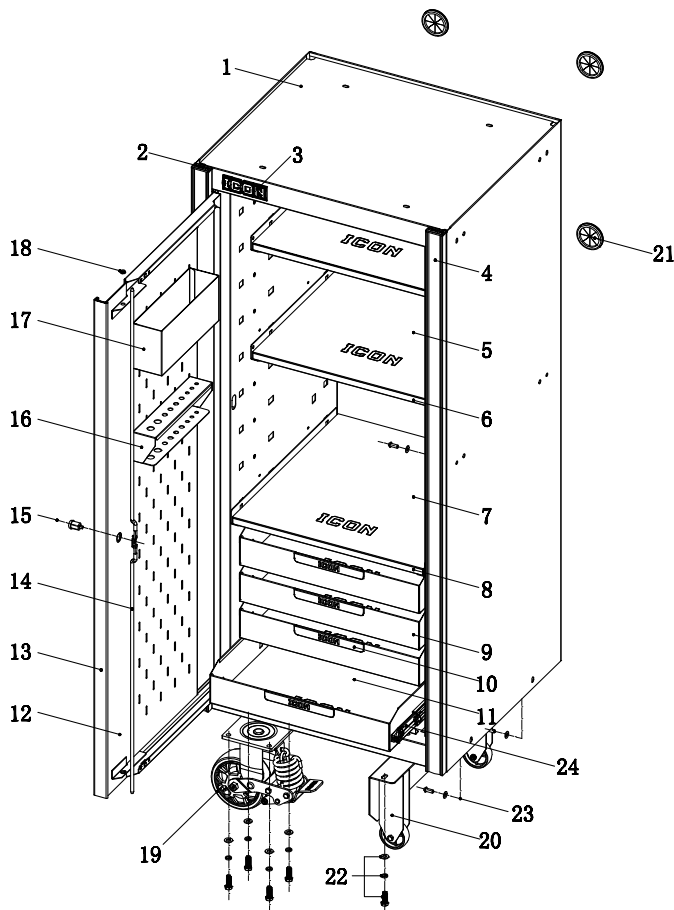


# Parts List and Diagram

## Parts List

| <b>Part</b> | <b>Description</b>                                   | <b>Qty</b> |
|-------------|--|------------|
| 1           | Housing  | 1          |
| 2           | Drawer Trim End Cap                                  | 2          |
| 3           | Icon Badge   | 1          |
| 4           | Front Trim   | 2          |
| 5           | Short Shelf Mat                                      | 2          |
| 6           | Short Shelf  | 2          |
| 7           | Long Shelf Mat                                       | 1          |
| 8           | Long Shelf   | 1          |
| 9           | Drawer   | 4          |
| 10          | Drawer Handle  | 4          |
| 11          | Drawer Mat   | 4          |
| 12          | Door   | 1          |
| 13          | Door Trim  | 1          |
| 14          | Lock Bar   | 1          |
| 15          | 90° Lock   | 1          |
| 16          | Screwdriver Holder                                   | 1          |
| 17          | Bin  | 1          |
| 18          | Lock Bar Protector                                   | 2          |
| 19          | Swivel Brake Caster                                  | 2          |
| 20          | Temporary Caster Pair                                | 1          |
| 21          | Strip Protector                                      | 4          |
| 22          | M10x30 Caster Bolt                                   | 10         |
| 23          | M8x20 Bolt and Washer Set                            | 6          |
| 24          | Drawer Slide Pair<br>(includes a left & right slide) | 4          |
| 25          | Slide Screw (not shown)                              | 8          |
| 26          | Door Hinge Screw (not shown)                         | 13         |

# Assembly Diagram



**Record Serial Number Here:** \_\_\_\_\_

**Note:** If product has no serial number, record month and year of purchase instead.

**Note:** Some parts are listed and shown for illustration purposes only, and are not available individually as replacement parts. Parts may not be interchangeable. Specify item number when ordering.



## **ICON™ TOOL STORAGE LIMITED LIFETIME WARRANTY**

Harbor Freight Tools makes every effort to assure that its products meet the highest quality and durability standards. Harbor Freight Tools warrants to the original purchaser of this ICON™ Tool Storage that the parts and components of the ICON™ Tool Storage will be free from defects in material and manufacturing workmanship during the ICON™ Tool Storage's useful life. If the parts or components do not perform in accordance with this warranty, Harbor Freight Tools will provide the parts necessary to put the ICON™ Tool Storage back in working order. Replacement parts may be obtained by calling 1-888-866-5797 or by e-mailing [productsupport@harborfreight.com](mailto:productsupport@harborfreight.com). Proof of purchase (original sales receipt) from the original consumer purchaser must accompany all warranty claims.

This warranty does not apply to damage due directly or indirectly, to misuse, abuse, negligence or accidents, unauthorized repair, improper installation, improper storage, normal wear and tear, neglect, alteration or modification, or to lack of maintenance. Abnormal use of tool storage units also includes, without limitation, situations when a unit is pulled using a vehicle, rolled over large drops, used in a highly corrosive environment, used as a step stool, overloaded or modified in any way. This warranty is in lieu of all other warranties, express or implied, including the warranties of merchantability and fitness. Harbor Freight Tools is not liable for incidental, indirect, special, consequential, or punitive damages or costs arising from the use of this product. Some states do not allow the exclusion or limitation of incidental or consequential damages, so the above limitation may not apply to you. This warranty gives you specific legal rights, and you may also have other rights which vary from state to state.



26541 Agoura Road • Calabasas, CA 91302 • 1-888-866-5797