

IMPORTANT SAFETY INSTRUCTIONS

When using your garage equipment, basic safety precautions should always be followed, including the following:

1. Read all instructions.
2. Do not operate equipment with a damaged cord or if the equipment has been dropped or damaged – until it has been examined by a qualified service person.
3. Do not let a cord hang over the edge of the table, bench, or counter or come in contact with hot manifolds or moving fan blades.
4. If an extension cord is necessary, a cord with a current rating equal to or more than that of the equipment should be used. Cords rated for less current than the equipment may overheat. Care should be taken to arrange the cord so that it will not be tripped over or pulled.
5. Always unplug equipment from electrical outlet when not in use. Never use the cord to pull the plug from the outlet. Grasp plug and pull to disconnect.
6. Loop cord loosely around equipment when storing.
7. To reduce the risk of fire, do not operate equipment in the vicinity of open containers of flammable liquids (gasoline).
8. Adequate ventilation should be provided when working on operating internal combustion engines.

TOOL STORAGE SAFETY

For technical questions, please call 1-888-866-5797.



9. Keep hair, loose clothing, fingers, and all parts of body away from moving parts.
10. To reduce the risk of electric shock, do not use on wet surfaces or expose to rain.
11. Use only as described in this manual. Use only manufacturer's recommended attachments.
12. **ALWAYS WEAR SAFETY GLASSES.**
Everyday eyeglasses only have impact resistant lenses, they are not safety glasses.
13. To reduce the risk of injury, close supervision is necessary when this product will be used around children.
14. To reduce the risk of injury, never overload the drawers or shelves. Refer to loading instructions.
15. To reduce the risk of electric shock or fire, never overload receptacles. Refer to markings for the proper load on receptacles.
16. **TO PREVENT SERIOUS INJURY AND DEATH FROM TIPPING: DO NOT SIT, STAND OR CLIMB ON THIS ITEM.**
17. This product is not a toy nor a toy chest.
Do not allow children to play with or near this item.
18. Assemble only according to these instructions.
Improper assembly can create hazards.
19. Wear ANSI-approved safety goggles and heavy-duty work gloves during assembly.



20. Keep assembly area clean and well lit.
21. Keep bystanders out of the area during assembly.
22. Do not assemble when tired or when under the influence of alcohol, drugs or medication.
23. Weight capacity and other product capabilities apply to properly and completely assembled product only.
24. Assemble on a flat, level, hard and smooth surface capable of safely supporting a fully loaded Cabinet.
25. Do not exceed drawer weight capacities, evenly distributed from bottom up.
Be aware of dynamic loading! Sudden load movement may briefly create excess load causing product failure.
26. Do not have more than one Drawer open at a time.
27. Empty, close, and lock Drawers before moving.
28. Use only on a flat, level, hard and smooth surface capable of safely supporting a fully loaded Cabinet.
Do not roll cabinet over concrete seams or other rough/uneven surfaces.
29. Do not lift using handle(s).
Do not move or lift while loaded.
30. Lock Swivel Casters after moving.
31. Do not mount on truck bed or any other moving object.

32. Use as intended only.
33. Inspect before every use;
do not use if parts are loose or damaged.
34. Maintain product labels and nameplates. These carry important safety information. If unreadable or missing, contact Harbor Freight Tools for a replacement.

 **SAVE THESE
INSTRUCTIONS.**

ICONTM

ICON

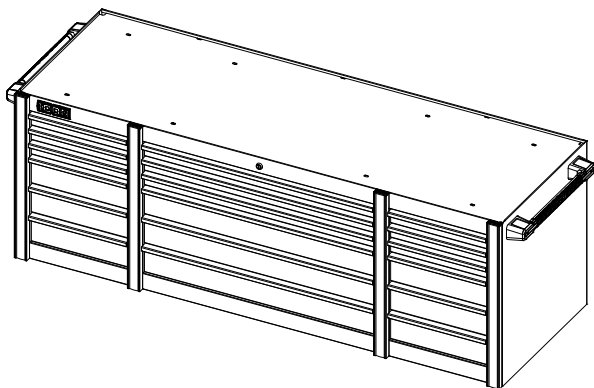
Owner's Manual & Safety Instructions

Save This Manual Keep this manual for the safety warnings and precautions, assembly, operating, inspection, maintenance and cleaning procedures. Write the product's serial number in the back of the manual near the assembly diagram (or month and year of purchase if product has no number). Keep this manual and the receipt in a safe and dry place for future reference.

19c

ICON™

73" TOP CHEST



IT5TC73 SERIES

Visit our website at: <http://www.harborfreight.com>
Email our technical support at: productsupport@harborfreight.com

When unpacking, make sure that the product is intact and undamaged. If any parts are missing or broken, please call 1-888-866-5797 as soon as possible.

Copyright© 2019 by Harbor Freight Tools®. All rights reserved.
No portion of this manual or any artwork contained herein may be reproduced in any shape or form without the express written consent of Harbor Freight Tools. Diagrams within this manual may not be drawn proportionally. Due to continuing improvements, actual product may differ slightly from the product described herein. Tools required for assembly and service may not be included.

⚠WARNING

Read this material before using this product.
Failure to do so can result in serious injury.
SAVE THIS MANUAL.

73" TOP CHEST

Specifications

Drawer Weight Capacity (Evenly distributed from bottom up.)	265 lb per connected pair of slides
--	--

Model	Color	Item
ITSTC73R	Red	56140
ITSTC73BLU	Blue	56300
ITSTC73BLK	Black	56301
ITSTC73GN	Green	56302



Assembly Instructions



Read the **ENTIRE IMPORTANT SAFETY INFORMATION** section at the beginning of this document including all text under subheadings therein before set up or use of this product.

1. Assemble on a flat, level, hard and smooth surface capable of safely supporting a fully loaded Chest.
2. Bolt Handles (2) to each end of the Housing using two M8 Handle Bolts (3) each. Tighten hardware securely.

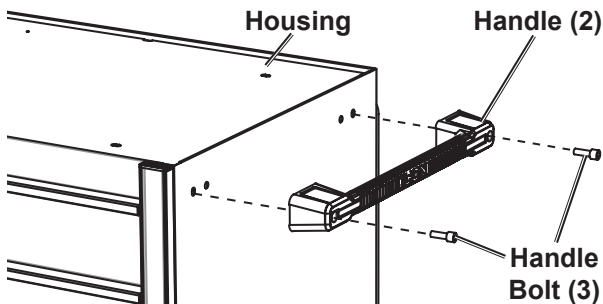


Figure A

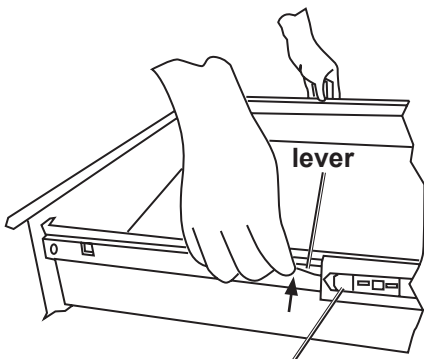
3. Remove Mat from top of 73" Roll Cab.
4. Place Chest atop fully assembled Roll Cab.
5. Remove top Drawers from Roll Cab.
6. Use four Bolts (12) from within the Roll Cab to attach the Top Chest to the top.
7. Reinstall the top Drawers into the Roll Cab.

Reconfiguring Drawers

1. The Drawers can be rearranged.

WARNING! TO PREVENT SERIOUS INJURY AND DEATH FROM TIPPING: All drawers must be reinstalled before use. Do not use a partially assembled Chest.

2. Remove the Drawers you want to move.
To remove a Drawer:
 - a. Slide the Drawer out until it stops and empty it completely.
 - b. There is a small lever at the end of each Chest Slide (17). Push up on the right lever, and push down on the left lever.
 - c. While holding the levers, slide the Drawer out completely and set it on a flat, stable surface.



Chest Slide (17)
Figure B

3. After removing the Drawers, check where the slides are positioned on them. All the slides on each Drawer must be fully supported by Chest Slides.
4. Reposition Chest Slides as needed to properly support the Drawers as explained in the two following steps.

5. Chest Slide Removal (tools sold separately):

- a. With the Chest Slide extended, remove the Slide Screw (18).

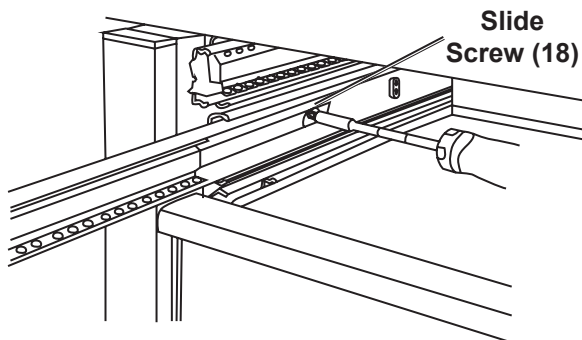


Figure C

- b. Gently pry the Chest Slide outward in the location shown and raise the end of the Chest Slide to disengage it.

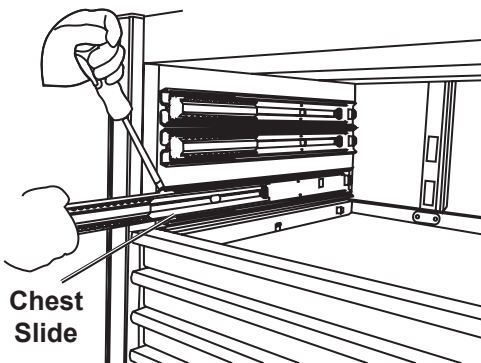


Figure D

6. Chest Slide installation:

a. Align the tabs on the Chest Slide with the holes on the side of the Housing. Align the rear tab first, then lower the front tabs into the front holes.

b. Align the screw hole in the center of the Chest Slide with the screw hole on the Housing.

Secure it with a Slide Screw.

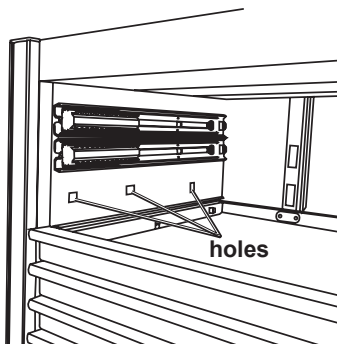


Figure E

7. Install the Drawers according to the following instructions:

a. Select a properly-sized Drawer to install.

b. Confirm that all Chest Slides are properly aligned with the slides on the Drawer.

c. Slide all Chest Slides out fully.

d. Confirm that ball bearing racks are at the front of each Slide.

e. Carefully partially slide the Drawer in and check again that all slides are engaging properly.

NOTICE: DO NOT FORCE THE DRAWER.

If the Drawer does not slide in easily, the slides are likely misaligned or not installed correctly.

f. Slide the Drawer in completely.

g. Slide it back out to make sure the slides keep it from coming disengaged.

h. Slide the Drawer closed.

Operation Instructions



Read the **ENTIRE IMPORTANT SAFETY INFORMATION** section at the beginning of this document including all text under subheadings therein before set up or use of this product.

Unlock Drawers, and fill Chest evenly, from bottom to top. Do not exceed weight capacities.

Detent Force Adjustment

1. Each slide on the Drawers has a dial to adjust the amount of force required to open the Drawer.
2. Turn the knob on the end of the Drawer slide to the desired detent force setting.
3. Adjust all slides on a Drawer to the same detent force setting. Using different detent force settings on a single Drawer may cause uneven slide motion and damage the slides.

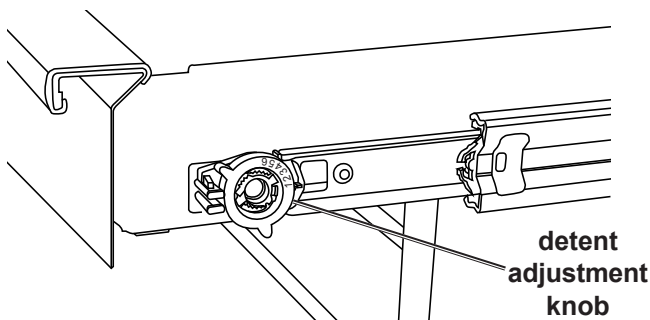


Figure F



Maintenance and Servicing



Procedures not specifically explained in this manual must be performed only by a qualified technician.

WARNING

TO PREVENT SERIOUS INJURY FROM TOOL FAILURE:
Do not use damaged equipment. If any part becomes damaged, have the problem corrected before further use.

1. **PERIODICALLY**, inspect the general condition of the Chest. Check for:
 - loose hardware,
 - misalignment or binding of moving parts,
 - brake operation,
 - caster swivel function and movement,
 - cracked or broken parts,
 - any other condition that may affect its safe operation.
2. Wipe external surfaces of the Chest with clean cloth.

PLEASE READ THE FOLLOWING CAREFULLY

THE MANUFACTURER AND/OR DISTRIBUTOR HAS PROVIDED THE PARTS LIST AND ASSEMBLY DIAGRAM IN THIS DOCUMENT AS A REFERENCE TOOL ONLY. NEITHER THE MANUFACTURER OR DISTRIBUTOR MAKES ANY REPRESENTATION OR WARRANTY OF ANY KIND TO THE BUYER THAT HE OR SHE IS QUALIFIED TO MAKE ANY REPAIRS TO THE PRODUCT, OR THAT HE OR SHE IS QUALIFIED TO REPLACE ANY PARTS OF THE PRODUCT. IN FACT, THE MANUFACTURER AND/OR DISTRIBUTOR EXPRESSLY STATES THAT ALL REPAIRS AND PARTS REPLACEMENTS SHOULD BE UNDERTAKEN BY CERTIFIED AND LICENSED TECHNICIANS, AND NOT BY THE BUYER. THE BUYER ASSUMES ALL RISK AND LIABILITY ARISING OUT OF HIS OR HER REPAIRS TO THE ORIGINAL PRODUCT OR REPLACEMENT PARTS THERETO, OR ARISING OUT OF HIS OR HER INSTALLATION OF REPLACEMENT PARTS THERETO.



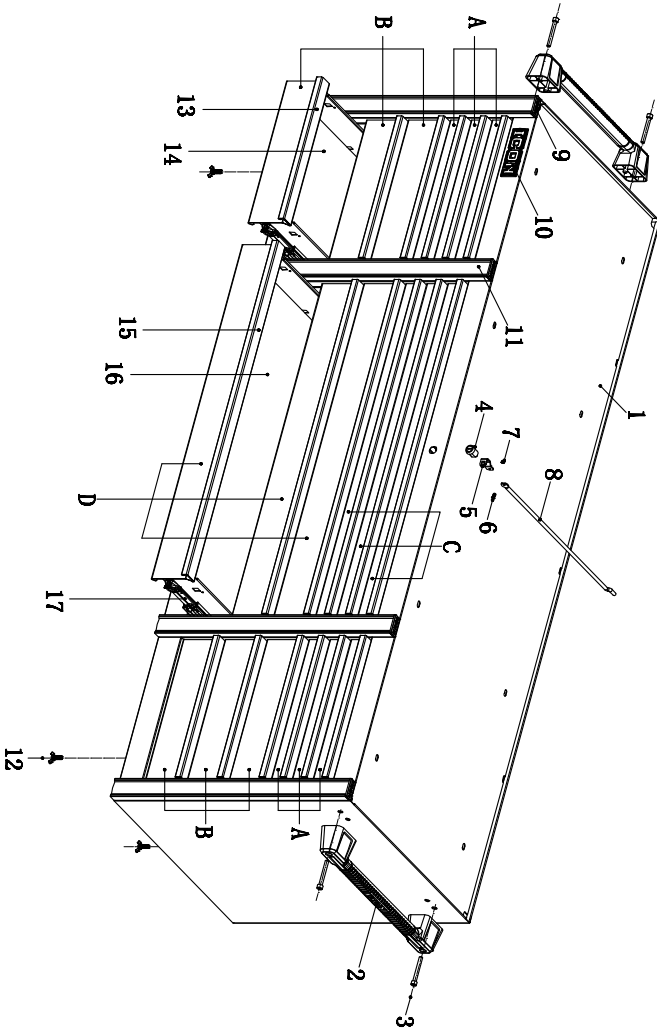
Parts List and Diagram

Parts List

Part	Description	Qty
1	Chest	1
2	Handle	2
3	M8x65 Handle Bolt	4
4	Lock	1
5	Lock Connector	1
6	M4x10 Screw	1
7	M4 Nut	1
8	Lock Bar	1
9	Drawer Trim End Cap	4
10	Brand	1
11	Front Trim	4
12	M8x20 Bolt	4
13	Drawer Trim	12
14	Drawer EVA liner	12
15	Drawer Trim	6
16	Drawer EVA liner	6
17	Drawer Slide Pair (includes a left & right slide)	18
18	Slide Screw (not shown)	36
19	Top Mat (not shown)	1
A	Drawer A	6
B	Drawer B	6
C	Drawer C	3
D	Drawer D	3

Note: Some parts are listed and shown for illustration purposes only, and are not available individually as replacement parts. Parts may not be interchangeable. Specify item number when ordering.

Assembly Diagram



Record Serial Number Here: _____

Note: If product has no serial number, record month and year of purchase instead.



73" TOP CHEST

ICON™ TOOL STORAGE LIMITED LIFETIME WARRANTY

Harbor Freight Tools makes every effort to assure that its products meet the highest quality and durability standards. Harbor Freight Tools warrants to the original purchaser of this ICON™ Tool Storage that the parts and components of the ICON™ Tool Storage will be free from defects in material and manufacturing workmanship during the ICON™ Tool Storage's useful life. If the parts or components do not perform in accordance with this warranty, Harbor Freight Tools will provide the parts necessary to put the ICON™ Tool Storage back in working order. Replacement parts may be obtained by calling 1-888-866-5797 or by e-mailing productsupport@harborfreight.com. Proof of purchase (original sales receipt) from the original consumer purchaser must accompany all warranty claims.

This warranty does not apply to damage due directly or indirectly, to misuse, abuse, negligence or accidents, unauthorized repair, improper installation, improper storage, normal wear and tear, neglect, alteration or modification, or to lack of maintenance. Abnormal use of tool storage units also includes, without limitation, situations when a unit is pulled using a vehicle, rolled over large drops, used in a highly corrosive environment, used as a step stool, overloaded or modified in any way. This warranty is in lieu of all other warranties, express or implied, including the warranties of merchantability and fitness. Harbor Freight Tools is not liable for incidental, indirect, special, consequential, or punitive damages or costs arising from the use of this product. Some states do not allow the exclusion or limitation of incidental or consequential damages, so the above limitation may not apply to you. This warranty gives you specific legal rights, and you may also have other rights which vary from state to state.



26541 Agoura Road • Calabasas, CA 91302 • 1-888-866-5797