

IMPORTANT SAFETY INSTRUCTIONS

When using your garage equipment, basic safety precautions should always be followed, including the following:

1. Read all instructions.
2. Do not operate equipment with a damaged cord or if the equipment has been dropped or damaged – until it has been examined by a qualified service person.
3. Do not let a cord hang over the edge of the table, bench, or counter or come in contact with hot manifolds or moving fan blades.
4. If an extension cord is necessary, a cord with a current rating equal to or more than that of the equipment should be used. Cords rated for less current than the equipment may overheat. Care should be taken to arrange the cord so that it will not be tripped over or pulled.
5. Always unplug equipment from electrical outlet when not in use. Never use the cord to pull the plug from the outlet. Grasp plug and pull to disconnect.
6. Loop cord loosely around equipment when storing.
7. To reduce the risk of fire, do not operate equipment in the vicinity of open containers of flammable liquids (gasoline).
8. Adequate ventilation should be provided when working on operating internal combustion engines.

TOOL STORAGE SAFETY

For technical questions, please call 1-888-866-5797.



9. Keep hair, loose clothing, fingers, and all parts of body away from moving parts.
10. To reduce the risk of electric shock, do not use on wet surfaces or expose to rain.
11. Use only as described in this manual. Use only manufacturer's recommended attachments.
12. **ALWAYS WEAR SAFETY GLASSES.**
Everyday eyeglasses only have impact resistant lenses, they are not safety glasses.
13. To reduce the risk of injury, close supervision is necessary when this product will be used around children.
14. To reduce the risk of injury, never overload the drawers or shelves. Refer to loading instructions.
15. To reduce the risk of electric shock or fire, never overload receptacles. Refer to markings for the proper load on receptacles.
16. **TO PREVENT SERIOUS INJURY AND DEATH FROM TIPPING: DO NOT SIT, STAND OR CLIMB ON THIS ITEM.**
17. This product is not a toy nor a toy chest.
Do not allow children to play with or near this item.
18. Assemble only according to these instructions.
Improper assembly can create hazards.
19. Wear ANSI-approved safety goggles and heavy-duty work gloves during assembly.



20. Keep assembly area clean and well lit.
21. Keep bystanders out of the area during assembly.
22. Do not assemble when tired or when under the influence of alcohol, drugs or medication.
23. Weight capacity and other product capabilities apply to properly and completely assembled product only.
24. Assemble on a flat, level, hard and smooth surface capable of safely supporting a fully loaded Cabinet.
25. Do not exceed drawer weight capacities, evenly distributed from bottom up.
Be aware of dynamic loading! Sudden load movement may briefly create excess load causing product failure.
26. Do not have more than one Drawer open at a time.
27. Empty, close, and lock Drawers before moving.
28. Use only on a flat, level, hard and smooth surface capable of safely supporting a fully loaded Cabinet.
Do not roll cabinet over concrete seams or other rough/uneven surfaces.
29. Do not lift using handle(s).
Do not move or lift while loaded.
30. Lock Swivel Casters after moving.
31. Do not mount on truck bed or any other moving object.

32. Use as intended only.
33. Inspect before every use;
do not use if parts are loose or damaged.
34. Maintain product labels and nameplates. These carry important safety information. If unreadable or missing, contact Harbor Freight Tools for a replacement.

 **SAVE THESE
INSTRUCTIONS.**

ICONTM

ICON

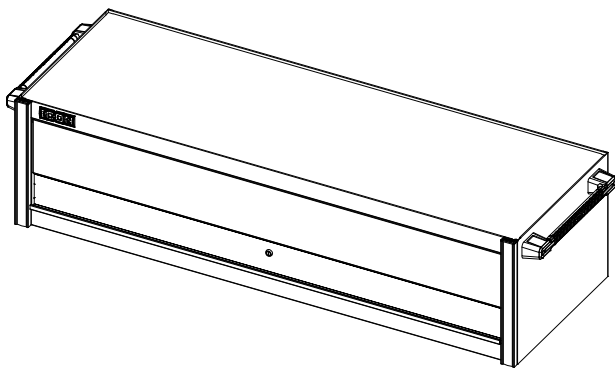
Owner's Manual & Safety Instructions

Save This Manual Keep this manual for the safety warnings and precautions, assembly, operating, inspection, maintenance and cleaning procedures. Write the product's serial number in the back of the manual near the assembly diagram (or month and year of purchase if product has no number). Keep this manual and the receipt in a safe and dry place for future reference.

19d

ICON™

73" OVERHEAD



IT50H73 SERIES

Visit our website at: <http://www.harborfreight.com>
Email our technical support at: productsupport@harborfreight.com

When unpacking, make sure that the product is intact and undamaged. If any parts are missing or broken, please call 1-888-866-5797 as soon as possible.

Copyright© 2019 by Harbor Freight Tools®. All rights reserved.
No portion of this manual or any artwork contained herein may be reproduced in any shape or form without the express written consent of Harbor Freight Tools. Diagrams within this manual may not be drawn proportionally. Due to continuing improvements, actual product may differ slightly from the product described herein. Tools required for assembly and service may not be included.

⚠ WARNING

Read this material before using this product.
Failure to do so can result in serious injury.
SAVE THIS MANUAL.

73" OVERHEAD

Model	Color	Item
ITSOH73R	Red	56141
ITSOH73BLU	Blue	56305
ITSOH73BLK	Black	56306
ITSOH73GN	Green	56307

Assembly Instructions



Read the **ENTIRE IMPORTANT SAFETY INFORMATION** section at the beginning of this document including all text under subheadings therein before set up or use of this product.

1. Assemble on a flat, level, hard and smooth surface capable of safely supporting a fully loaded Roll Cab.
2. Bolt Handles (2) to each end of the Housing using two M8 Handle Bolts (3) each. Tighten hardware securely.

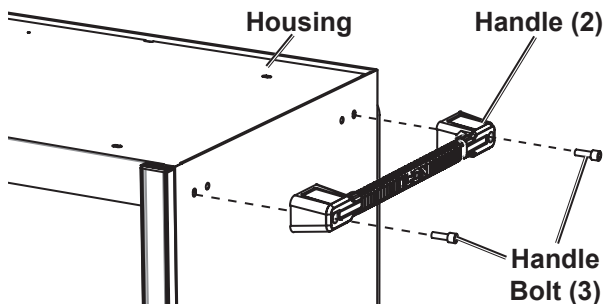


Figure A

3. Place Overhead atop Top Chest/Work Center mounted to a Roll Cab.

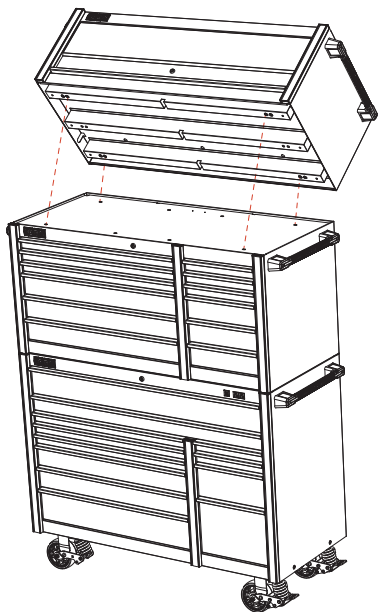


Figure B

4. If mounting to Top Chest, remove its top Drawers.
5. Use four Bolts (15) from within the Top Chest/Work Center to attach the Overhead to the top.
6. If removed, reinstall the top Drawers into the Top Chest.

ICONTM

ICON

Operation Instructions



Read the **ENTIRE IMPORTANT SAFETY INFORMATION** section at the beginning of this document including all text under subheadings therein before set up or use of this product.

1. Do not exceed weight capacities.
2. Close and lock Overhead compartment before moving assembled Roll Cab.

Maintenance and Servicing



Procedures not specifically explained in this manual must be performed only by a qualified technician.

WARNING

TO PREVENT SERIOUS INJURY FROM TOOL FAILURE:
Do not use damaged equipment. If any part becomes damaged, have the problem corrected before further use.

1. **PERIODICALLY**, inspect the general condition of the Overhead. Check for:
 - loose hardware,
 - misalignment or binding of moving parts,
 - brake operation,
 - caster swivel function and movement,
 - cracked or broken parts,
 - any other condition that may affect its safe operation.
2. Wipe external surfaces of the Overhead with clean cloth.

PLEASE READ THE FOLLOWING CAREFULLY

THE MANUFACTURER AND/OR DISTRIBUTOR HAS PROVIDED THE PARTS LIST AND ASSEMBLY DIAGRAM IN THIS DOCUMENT AS A REFERENCE TOOL ONLY. NEITHER THE MANUFACTURER OR DISTRIBUTOR MAKES ANY REPRESENTATION OR WARRANTY OF ANY KIND TO THE BUYER THAT HE OR SHE IS QUALIFIED TO MAKE ANY REPAIRS TO THE PRODUCT, OR THAT HE OR SHE IS QUALIFIED TO REPLACE ANY PARTS OF THE PRODUCT. IN FACT, THE MANUFACTURER AND/OR DISTRIBUTOR EXPRESSLY STATES THAT ALL REPAIRS AND PARTS REPLACEMENTS SHOULD BE UNDERTAKEN BY CERTIFIED AND LICENSED TECHNICIANS, AND NOT BY THE BUYER. THE BUYER ASSUMES ALL RISK AND LIABILITY ARISING OUT OF HIS OR HER REPAIRS TO THE ORIGINAL PRODUCT OR REPLACEMENT PARTS THERETO, OR ARISING OUT OF HIS OR HER INSTALLATION OF REPLACEMENT PARTS THERETO.

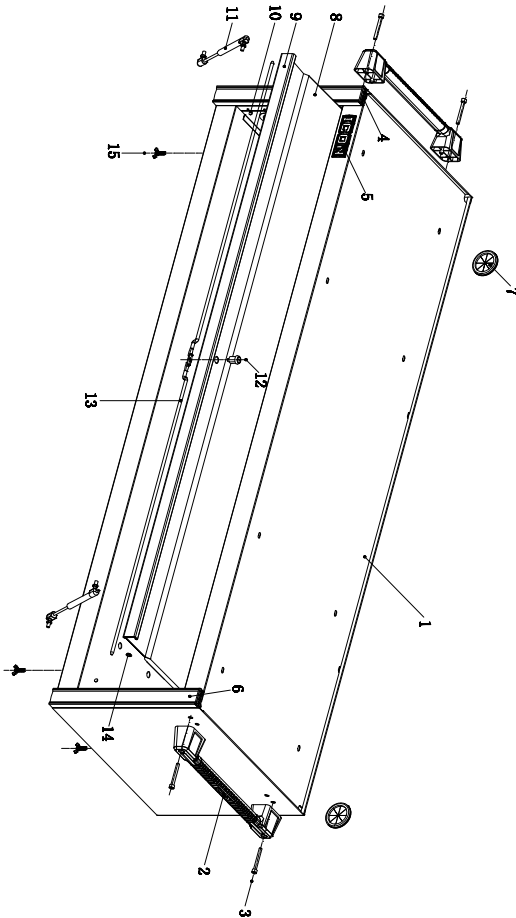


Parts List and Diagram

Parts List

Part	Description	Qty
1	Housing	1
2	Handle	2
3	M8x65 Handle Bolt	4
4	Drawer Trim End Cap	2
5	Badge	1
6	Front Trim	2
7	Strip Protector	4
8	Door	1
9	Door Trim	1
10	Cushion Rubber	2
11	Gas Strut	2
12	90° Lock	1
13	Lock Bar	1
14	Lock Bar Protector	2
15	M8x 20 Bolt	4

Assembly Diagram



Record Serial Number Here: _____

Note: If product has no serial number, record month and year of purchase instead.

Note: Some parts are listed and shown for illustration purposes only, and are not available individually as replacement parts. Parts may not be interchangeable. Specify item number when ordering.



ICON™ TOOL STORAGE LIMITED LIFETIME WARRANTY

Harbor Freight Tools makes every effort to assure that its products meet the highest quality and durability standards. Harbor Freight Tools warrants to the original purchaser of this ICON™ Tool Storage that the parts and components of the ICON™ Tool Storage will be free from defects in material and manufacturing workmanship during the ICON™ Tool Storage's useful life. If the parts or components do not perform in accordance with this warranty, Harbor Freight Tools will provide the parts necessary to put the ICON™ Tool Storage back in working order. Replacement parts may be obtained by calling 1-888-866-5797 or by e-mailing productsupport@harborfreight.com. Proof of purchase (original sales receipt) from the original consumer purchaser must accompany all warranty claims.

This warranty does not apply to damage due directly or indirectly, to misuse, abuse, negligence or accidents, unauthorized repair, improper installation, improper storage, normal wear and tear, neglect, alteration or modification, or to lack of maintenance. Abnormal use of tool storage units also includes, without limitation, situations when a unit is pulled using a vehicle, rolled over large drops, used in a highly corrosive environment, used as a step stool, overloaded or modified in any way. This warranty is in lieu of all other warranties, express or implied, including the warranties of merchantability and fitness. Harbor Freight Tools is not liable for incidental, indirect, special, consequential, or punitive damages or costs arising from the use of this product. Some states do not allow the exclusion or limitation of incidental or consequential damages, so the above limitation may not apply to you. This warranty gives you specific legal rights, and you may also have other rights which vary from state to state.



26541 Agoura Road • Calabasas, CA 91302 • 1-888-866-5797