

Owner's Manual & Safety Instructions

Save This Manual Keep this manual for the safety warnings and precautions, assembly, operating, inspection, maintenance and cleaning procedures. Write the product's serial number in the back of the manual near the assembly diagram (or month and year of purchase if product has no number). Keep this manual and the receipt in a safe and dry place for future reference.

19e

BRAUN™

PROFESSIONAL RECHARGEABLE COLOR MATCH LIGHT



Visit our website at: <http://www.harborfreight.com>
Email our technical support at: productsupport@harborfreight.com

56354

When unpacking, make sure that the product is intact and undamaged. If any parts are missing or broken, please call 1-888-866-5797 as soon as possible.

Copyright© 2019 by Harbor Freight Tools®. All rights reserved.

No portion of this manual or any artwork contained herein may be reproduced in any shape or form without the express written consent of Harbor Freight Tools. Diagrams within this manual may not be drawn proportionally. Due to continuing improvements, actual product may differ slightly from the product described herein. Tools required for assembly and service may not be included.

⚠WARNING

Read this material before using this product. Failure to do so can result in serious injury. **SAVE THIS MANUAL.**

Specifications

Charging Base Input Rating	5VDC / 1A
Battery	3.7V Li-Ion 2600mAh
Charge Time*	4 hours
Run Time	Up to 3 hours (Eco mode)
CRI Rating	95+
Light Output	455 Lumens (high mode)
Beam Distance	Up to 111 Feet (high mode)
Color Temperature	4100K
Bulb Type	LED COB
Operating Temperature	14° F to 104° F

*Note: Charge time will vary depending on the amp rating of the USB port the cord is attached to.

IMPORTANT SAFETY INFORMATION

⚠ WARNING

To prevent serious injury, FIRE, and EXPLOSION:

1. Do not open the device, except when removing battery for disposal/recycling.
2. To prevent permanent eye injury and blindness: Do not direct light at eyes.
3. Do not operate in direct sunlight or extreme temperature conditions.
4. Keep away from children! This is not a toy.
5. Inspect before every use; do not use or charge if damaged or parts loose.
6. **Have your tool serviced by a qualified repair person using only identical replacement parts.** This will ensure that the safety of the tool is maintained.
7. Do not set light down on lens while on.
8. Only use included charging adaptor. Other adaptors may damage tool or cause fire.
9. People with pacemakers should consult their physician(s) before use. Electromagnetic fields in close proximity to heart pacemaker could cause pacemaker interference or pacemaker failure.
10. Contains Li-Ion battery. Battery must be recycled or disposed of properly. Do not open, crush, heat above 140° F or incinerate.

Lithium Battery Safety Warnings



**LITHIUM BATTERIES STORE
A LARGE AMOUNT OF ENERGY AND
WILL VENT FIRE OR EXPLODE IF MISTREATED:**



1. **Keep Battery Pack dry.**
2. **DO NOT DO ANY OF THE FOLLOWING TO THE BATTERY PACK:**
 - a. **Open,**
 - b. **Drop,**
 - c. **Short-circuit,**
 - d. **Puncture,**
 - e. **Incinerate, or**
 - f. **Expose to temperatures greater than 265°F.**
3. Charge Battery Pack only according to its Charger's instructions.
4. Inspect Battery Pack before every use; do not use or charge if damaged.

Tool Setup - Before Use



Read the **ENTIRE IMPORTANT SAFETY INFORMATION** section at the beginning of this document including all text under subheadings therein before set up or use of this product.

Charging Instructions

NOTE: Before using Light for the first time, fully charge the Battery.

1. Switch Light off and place it on the Charging Base. Be sure the charging leads on back of the Light make full contact with the leads in the Charging Base. The magnets in the Base and Light will lock these two items together when connected.
2. Using the provided USB Cable, connect the Charging Base to a powered USB connector. The USB cable plugs into the Charging Jack at the side of the Charging Base.
3. The Battery Indicator on front of the Light will blink when the battery is charging. When the battery is fully charged, the Battery Light will be on steadily. Unplug the Light.

NOTICE: Do not leave the Battery in a discharged state. Charge the Battery every 3 months if the Light is not in use. This will keep the Battery from wearing down and add to its life.



Charging Base Mounting Instructions

Note: Screws sold separately. Make sure screw heads fit into the holes on the back of the Charging Base.

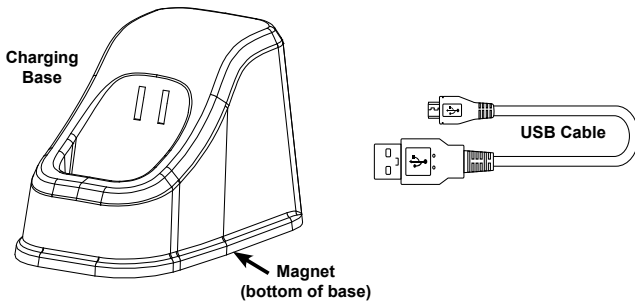
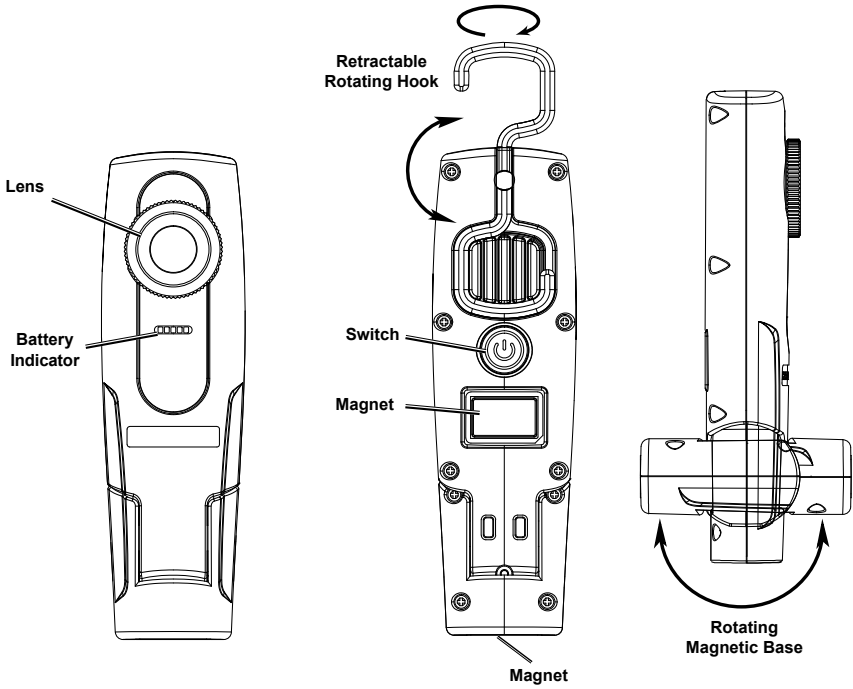
1. There are two mounting holes on the back of the Charging Base.



Mounting holes

2. Verify that installation surface has no hidden utility lines before drilling or driving screws.
3. Drill two holes, 15/16" apart, on mounting surface.
4. Drive screws into holes, leaving 1/4" of threads exposed.
5. Place lower part of keyholes (on the back of the Charging Base) over screws.
6. Pull Charging Base down gently to lock screws into upper part of keyholes.

Functions



Operation Instructions



Read the **ENTIRE IMPORTANT SAFETY INFORMATION** section at the beginning of this document including all text under subheadings therein before set up or use of this product.

NOTE: Before using Light for the first time, fully charge the Battery.

1. Press Switch on back to turn the Light on. The Light will first illuminate in High mode.
2. Press Switch a second time for Eco (low) mode. Also, the Light will automatically switch from High mode to Eco mode after 5 minutes.
3. From the Eco mode, press the Switch on the back to turn the Light off.
4. The Battery Indicator on the front of the Light will illuminate when the Light is on and will go off a few seconds after the Light is turned off.
5. The Light may be hung by its Retractable Rotating Hook. Pull the Hook out from its rear storage area, hang and rotate as desired.
6. The Light has two magnets for connecting to magnetic surfaces. The two magnets are located:
 - a. at the back of the Light, and
 - b. at the bottom of the Rotating Handle. The Handle may be rotated to adjust angle of Light.

7. The Charging Base may be connected to surfaces in two ways:
 - a. mounted to a wall using screws and the two mounting holes on the Base's back (see page 3 for instructions), or
 - b. connected to a magnetic surface using the magnet inside the Base's bottom cover.
8. When finished using the Light, turn it off and store mounted in its Charging Base indoors away from children. Keep lens clean using a soft, non-abrasive cloth.

WARNING! TO PREVENT SERIOUS INJURY FROM FIRE: Do not cover light or rest light on lens during operation.

Light will emit heat during operation. Lens can also be damaged if placed against a hard surface.

Maintenance and Servicing



Procedures not specifically explained in this manual must be performed only by a qualified technician.

WARNING

TO PREVENT SERIOUS INJURY FROM ACCIDENTAL OPERATION:
Turn the On/Off Switch of the tool off before performing any inspection, maintenance, or cleaning procedures.

Cleaning, Maintenance, and Lubrication

- BEFORE EACH USE**, inspect the general condition of the tool. Check for:
 - loose hardware,
 - damaged USB cable,
 - cracked or broken parts, and
 - any other condition that may affect its safe operation.
- AFTER USE**, wipe external surfaces of the Light with clean cloth.
- Keep charging leads, on both Light and Charging Base, clean.
- The lens may be removed for cleaning by grasping the sides of the retention ring and rotating it counter clockwise.
 - Remove the ring and carefully remove lens.
 - Clean lens with mild detergent soap using a soft cloth.
 - Dry thoroughly and carefully place lens back onto the light, flat side down.
 - Place retention ring over lens and turn clockwise until tight.
- Store the Light mounted in its Charging Base in a dry, indoor area out of reach of children.

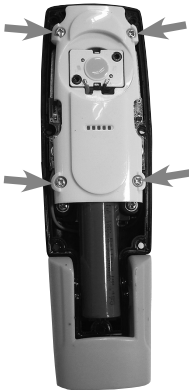


Battery Removal and Disposal

1. Turn off the Light.
2. The Battery is located inside the Light, access from the back. Remove seven screws.



3. Remove the back cover and remove four screws from the inside cover to access the battery.



4. Remove the inside cover. Cut the wires from the Battery and remove it from Light.

Cut wires
and remove
battery.



5. Contains Li-Ion battery. Battery must be recycled or disposed of properly. Do not open, crush, heat above 140° F or incinerate.

Record Product's Serial Number Here: _____

Note: If product has no serial number, record month and year of purchase instead.

Note: Replacement parts are not available for this item

Limited 90 Day Warranty

Harbor Freight Tools Co. makes every effort to assure that its products meet high quality and durability standards, and warrants to the original purchaser that this product is free from defects in materials and workmanship for the period of 90 days from the date of purchase. This warranty does not apply to damage due directly or indirectly, to misuse, abuse, negligence or accidents, repairs or alterations outside our facilities, criminal activity, improper installation, normal wear and tear, or to lack of maintenance. We shall in no event be liable for death, injuries to persons or property, or for incidental, contingent, special or consequential damages arising from the use of our product. Some states do not allow the exclusion or limitation of incidental or consequential damages, so the above limitation of exclusion may not apply to you. THIS WARRANTY IS EXPRESSLY IN LIEU OF ALL OTHER WARRANTIES, EXPRESS OR IMPLIED, INCLUDING THE WARRANTIES OF MERCHANTABILITY AND FITNESS.

To take advantage of this warranty, the product or part must be returned to us with transportation charges prepaid. Proof of purchase date and an explanation of the complaint must accompany the merchandise. If our inspection verifies the defect, we will either repair or replace the product at our election or we may elect to refund the purchase price if we cannot readily and quickly provide you with a replacement. We will return repaired products at our expense, but if we determine there is no defect, or that the defect resulted from causes not within the scope of our warranty, then you must bear the cost of returning the product.

This warranty gives you specific legal rights and you may also have other rights which vary from state to state.

BRAUN™

26541 Agoura Road • Calabasas, CA 91302 • 1-888-866-5797