

# Owner's Manual & Safety Instructions

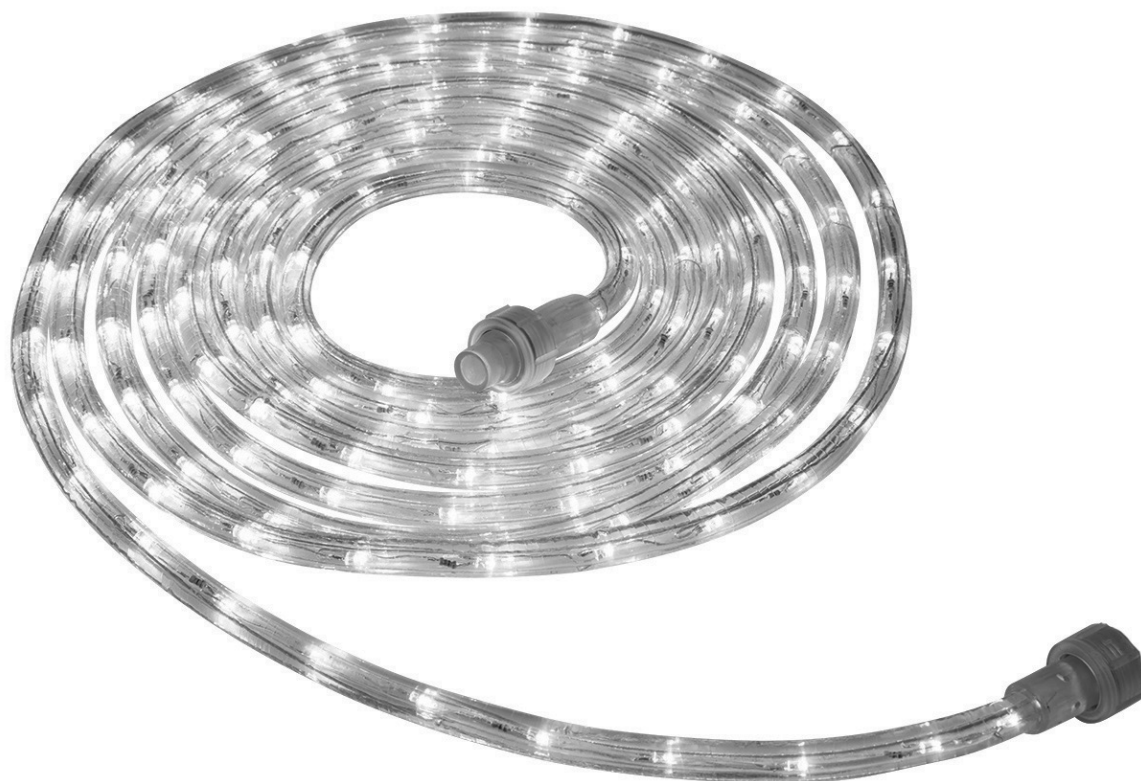
**Save This Manual** Keep this manual for the safety warnings and precautions, assembly, operating, inspection, maintenance and cleaning procedures. Write the product's serial number in the back of the manual near the assembly diagram (or month and year of purchase if product has no number). Keep this manual and the receipt in a safe and dry place for future reference.

24d

**luminar** **OUTDOOR**<sup>™</sup>

56423

## 18 FT. LED LINKABLE ROPE LIGHT WARM WHITE



Visit our website at: <http://www.harborfreight.com>  
Email our technical support at: [productsupport@harborfreight.com](mailto:productsupport@harborfreight.com)

When unpacking, make sure that the product is intact and undamaged. If any parts are missing or broken, please call 1-888-866-5797 as soon as possible.

Copyright© 2024 by Harbor Freight Tools®. All rights reserved.  
No portion of this manual or any artwork contained herein may be reproduced in any shape or form without the express written consent of Harbor Freight Tools. Diagrams within this manual may not be drawn proportionally. Due to continuing improvements, actual product may differ slightly from the product described herein.  
Tools required for assembly and service may not be included.

### **⚠ WARNING**

Read this material before using this product. Failure to do so can result in serious injury. **SAVE THIS MANUAL.**

## Specifications

Electrical Rating	120VAC / 60Hz / Max 1.92A
Fuse Rating	125V 5A
Length (one Rope Light)	18 ft
Max Length	16 Segments (288 ft)

## IMPORTANT SAFETY INFORMATION

### READ AND FOLLOW ALL SAFETY INSTRUCTIONS.

1. Do not cover this product as the covering may cause the flexible light to overheat and melt or ignite.
2. Do not operate with the flexible light tightly coiled.
3. Do not puncture, cut, shorten, or splice the flexible lighting.
4. Do not route the cord or flexible lighting through walls, doors, windows or any like part of the building structure.
5. Do not use if there is any damage to the light or cord insulation. Inspect periodically.
6. Do not submerge flexible light in liquids, or use the product in the vicinity of standing water or other liquids.
7. Secure this flexible light using only the hangers or clips provided. Do not secure this product or its cord with staples, nails, or like means that may damage the insulation or permanently attach to the building structure.
8. Do not subject flexible lighting to continuous flexing.
9. Do not exceed the length in feet permitted by the marking.
10. This product has a polarized plug (one blade is wider than the other) as a feature to reduce the risk of electric shock. This plug will fit in a polarized outlet only one way. If the plug does not fit fully in the outlet, reverse the plug. If it still does not fit, contact a qualified electrician. Do not use with an extension cord unless the plug can be fully inserted. Do not alter or replace the plug.
11. **WARNING! TO PREVENT SERIOUS INJURY: When using outdoor-use portable lighting products, basic safety precautions should always be followed to reduce the risk of fire, electric shock and personal serious injury, including the following:**
  - a. Ground Fault Interrupter (GFCI) protection should be provided on the circuits or outlet to be used for outdoor use flexible lighting product. Receptacles are available having built-in GFCI protection for this measure of safety.
  - b. Use only outdoor extension cords, such as type SW, SOW, STW, STOW, SJW, SJOW, SJTW, or SJTOW. This designation is marked on the wire of the extension cord.
12. Verify that installation surface has no hidden utility lines before drilling, driving screws.
13. Place/mount the LED Rope to prevent tripping or choking. **Keep out of reach of young children and babies.**
14. People with pacemakers should consult their physician(s) before use. Electromagnetic fields in close proximity to heart pacemaker could cause pacemaker interference or pacemaker failure.
15. Install only according to these instructions. Improper installation can create hazards.
16. Wear ANSI-approved safety goggles during installation.
17. This product is not a toy. Do not allow children to play with or near this item.
18. Use as intended only.
19. Maintain product labels and nameplates. These carry important safety information. If unreadable or missing, contact Harbor Freight Tools for a replacement.



**SAVE THESE INSTRUCTIONS.**

## Installation and Operation Instructions



Read the **ENTIRE IMPORTANT SAFETY INFORMATION** section at the beginning of this document including all text under subheadings therein before set up or use of this product.

### WARNING

To prevent serious injury: Disconnect power before adding segments. Only use 56423 segments. Make sure that all connections and the end cap on the last segment are tightly secured to preclude the entry of water.

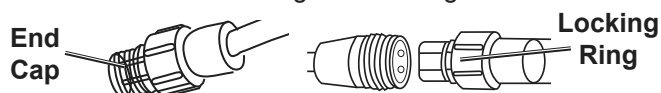
## Rope Light Assembly

1. The Rope Light can be left loose, wall mounted or wrapped around an object such as a fence rail.

**Notice:** Place/mount the Rope Light to prevent tripping or choking. **Keep out of reach of young children and babies.**

2. Carefully unpack and uncoil the Rope Light. **Do not cut or nick the Rope Light.**
3. If using only one Rope Light, keep Power Cord and End Cap connected. Make sure the End Cap is secure.

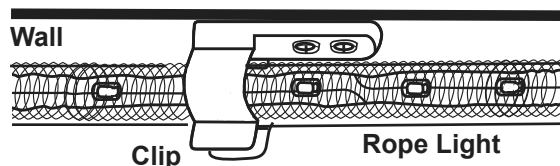
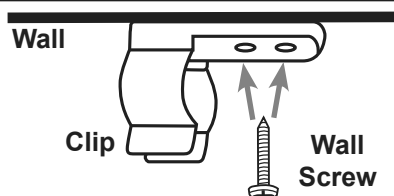
4. If attaching additional segments, remove End Caps and Power Cords as needed. Connect segments together by screwing the Locking Ring at the end of one segment onto the threads of another segment until tight.



5. After all segments are connected, connect Power Cord and End Cap, tightening both securely.

## Wall Mounting

1. **WARNING! TO PREVENT SERIOUS INJURY: Select a location without hidden cables or utility lines. Turn off all power in the wall for added safety.**
2. Carefully measure the mounting path and ensure the Power Cord's plug or extension cord reaches the outlet without straining the cord or lights.
3. Mark and drill holes for the Clips one foot apart from each other.
4. Position the Clips over the holes and secure in place with the Wall Screws.
5. Push Rope Light into Clip opening until it snaps in place. Continue for the full length of Rope Light(s).



## Wrapping Around an Object

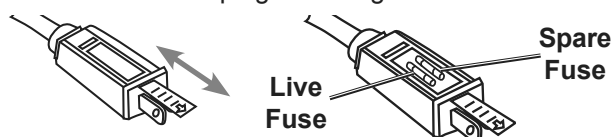
1. Carefully measure the mounting path and ensure the Power Cord's plug or extension cord reaches the outlet without straining the cord or lights.
2. Wrap the Rope Light(s) around the object using the included Mounting Ties to secure the lights to the object. Space the Mounting Ties one foot apart.

## Operation

To turn the Rope Light on, plug into 120VAC, GFCI protected outlet.

## Fuse Replacement

1. Grasp plug and remove from the receptacle or other outlet device. Do not unplug by pulling on the cord.
2. Open fuse cover. Slide open fuse access cover on top of attachment plug towards blades.
3. Remove fuse by carefully pulling one side out of the clasp and then the other side.
4. Risk of fire. Replace fuse only with 5 amp, 125 Volt fuse (provided with product).
5. Close fuse cover. Slide closed the fuse access cover on top of attachment plug.
6. Risk of fire. Do not replace attachment plug. Contains a safety device (fuse) that should not be removed. Discard product if the attachment plug is damaged.



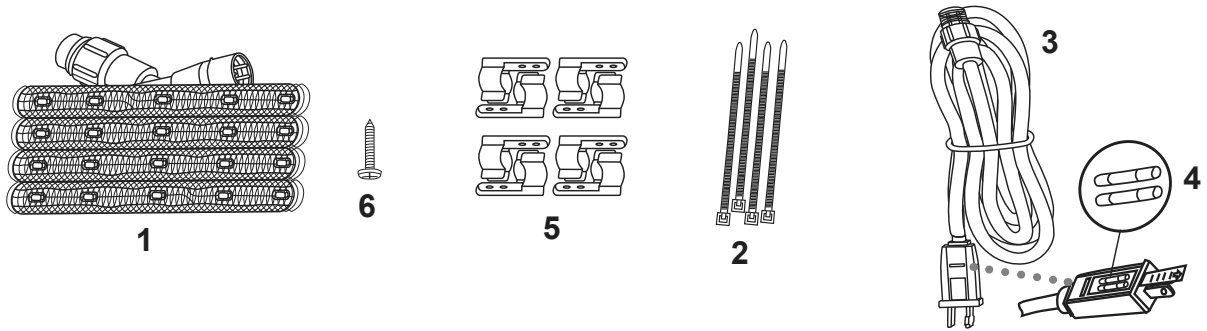
# PLEASE READ THE FOLLOWING CAREFULLY

THE MANUFACTURER AND/OR DISTRIBUTOR HAS PROVIDED THE PARTS LIST AND ASSEMBLY DIAGRAM IN THIS DOCUMENT AS A REFERENCE TOOL ONLY. NEITHER THE MANUFACTURER OR DISTRIBUTOR MAKES ANY REPRESENTATION OR WARRANTY OF ANY KIND TO THE BUYER THAT HE OR SHE IS QUALIFIED TO MAKE ANY REPAIRS TO THE PRODUCT, OR THAT HE OR SHE IS QUALIFIED TO REPLACE ANY PARTS OF THE PRODUCT. IN FACT, THE MANUFACTURER AND/OR DISTRIBUTOR EXPRESSLY STATES THAT ALL REPAIRS AND PARTS REPLACEMENTS SHOULD BE UNDERTAKEN BY CERTIFIED AND LICENSED TECHNICIANS, AND NOT BY THE BUYER. THE BUYER ASSUMES ALL RISK AND LIABILITY ARISING OUT OF HIS OR HER REPAIRS TO THE ORIGINAL PRODUCT OR REPLACEMENT PARTS THERETO, OR ARISING OUT OF HIS OR HER INSTALLATION OF REPLACEMENT PARTS THERETO.

## Parts List and Diagram

Part	Description	Qty
1	Rope Light	1
2	Mounting Tie	18
3	Power Cord	1

Part	Description	Qty
4	Fuse, 125V 5A	2
5	Clip	18
6	Wall Screw, 3 x 16mm	36



Record Serial Number Here: \_\_\_\_\_

**Note:** If product has no serial number, record month and year of purchase instead.

**Note:** Some parts are listed and shown for illustration purposes only, and are not available individually as replacement parts. Reference UPC 193175465795.

## Limited 90 Day Warranty

Harbor Freight Tools Co. makes every effort to assure that its products meet high quality and durability standards, and warrants to the original purchaser that this product is free from defects in materials and workmanship for the period of 90 days from the date of purchase. This warranty does not apply to damage due directly or indirectly, to misuse, abuse, negligence or accidents, repairs or alterations outside our facilities, criminal activity, improper installation, normal wear and tear, or to lack of maintenance. We shall in no event be liable for death, injuries to persons or property, or for incidental, contingent, special or consequential damages arising from the use of our product. Some states do not allow the exclusion or limitation of incidental or consequential damages, so the above limitation of exclusion may not apply to you. THIS WARRANTY IS EXPRESSLY IN LIEU OF ALL OTHER WARRANTIES, EXPRESS OR IMPLIED, INCLUDING THE WARRANTIES OF MERCHANTABILITY AND FITNESS.

To take advantage of this warranty, the product or part must be returned to us with transportation charges prepaid. Proof of purchase date and an explanation of the complaint must accompany the merchandise. If our inspection verifies the defect, we will either repair or replace the product at our election or we may elect to refund the purchase price if we cannot readily and quickly provide you with a replacement. We will return repaired products at our expense, but if we determine there is no defect, or that the defect resulted from causes not within the scope of our warranty, then you must bear the cost of returning the product.

This warranty gives you specific legal rights and you may also have other rights which vary from state to state.

