

# Owner's Manual & Safety Instructions

**Save This Manual** Keep this manual for the safety warnings and precautions, assembly, operating, inspection, maintenance and cleaning procedures. Write the product's serial number in the back of the manual (or month and year of purchase if product has no number). Keep this manual and the receipt in a safe and dry place for future reference.

22b

# Niagara™

## 4 GALLON BACKPACK CHEMICAL SPRAYER



Visit our website at: <http://www.harborfreight.com>  
Email our technical support at: [productsupport@harborfreight.com](mailto:productsupport@harborfreight.com)

56645






When unpacking, make sure that the product is intact and undamaged. If any parts are missing or broken, please call 1-888-866-5797 as soon as possible.

Copyright© 2021 by Harbor Freight Tools®. All rights reserved.  
No portion of this manual or any artwork contained herein may be reproduced in any shape or form without the express written consent of Harbor Freight Tools. Diagrams within this manual may not be drawn proportionally. Due to continuing improvements, actual product may differ slightly from the product described herein.  
Tools required for assembly and service may not be included.

### **⚠ WARNING**

Read this material before using this product.  
Failure to do so can result in serious injury.  
**SAVE THIS MANUAL.**

## WARNING SYMBOLS AND DEFINITIONS

	This is the safety alert symbol. It is used to alert you to potential personal injury hazards. Obey all safety messages that follow this symbol to avoid possible injury or death.
	Indicates a hazardous situation which, if not avoided, will result in death or serious injury.
	Indicates a hazardous situation which, if not avoided, could result in death or serious injury.
	Indicates a hazardous situation which, if not avoided, could result in minor or moderate injury.
	Addresses practices not related to personal injury.

## IMPORTANT SAFETY INFORMATION

### **WARNING**


**Read all safety warnings and instructions.**

*Failure to follow the warnings and instructions may result in serious injury.*

### Work Area

1. **Keep your work area clean and well lit.**  
Cluttered dark areas invite accidents.
2. The work area should have adequate drainage to reduce the possibility of a fall due to slippery surfaces.
3. **Keep bystanders, children, and visitors away while operating the Sprayer.**  
Distractions can cause you to lose control.

### Personal Safety

1. **Follow all guidelines regarding chemicals sprayed, including MSDS instructions and EPA regulations.**
2. **If the amount of weight you can lift safely is limited, do not fill the Tank completely to prevent strain and injury.**
3. **Stay alert. Watch what you are doing and use common sense when operating the Sprayer. Do not use the Sprayer while tired or under the influence of drugs, alcohol, or medication.**  
A moment of inattention while operating the Sprayer may result in serious personal injury.
4. **Dress properly.** Do not wear loose clothing or jewelry. Contain long hair.
5. **Do not overreach. Keep proper footing and balance at all times.**  
Proper footing and balance enable better control of the tool in unexpected situations.
6.  **Always wear eye protection.**  
Wear ANSI-approved safety goggles.

## Use

---

1. **Use only for water or water-based fertilizers, herbicides, pesticides and sealers. Do not use to spray combustible or corrosive chemicals.**
2. Do not point the Sprayer at yourself, other people or animals.
3. Industrial applications must follow OSHA requirements.
4. Make sure the liquid used in the Sprayer is not dirty or sandy.
5. This product is not a toy. Do not allow children to play with or near this item.
6. Use as intended only.
7. Inspect before every use; do not use if parts are loose or damaged.
8. Maintain product labels and nameplates. These carry important safety information. If unreadable or missing, contact Harbor Freight Tools for a replacement.
9. The warnings and cautions discussed in this manual cannot cover all possible conditions and situations that may occur. The operator must understand that common sense and caution are factors that cannot be built into this product, but must be supplied by the operator.

## Service

---

1. **Have your Sprayer serviced by a qualified repair person using only identical replacement parts.** This will ensure that the safety of the tool is maintained.
2. Store idle tools and equipment out of reach of children and other untrained people. Tools and equipment are dangerous in the hands of untrained users.
3. Maintain the Sprayer with care. Keep this product clean. A properly maintained Sprayer is easier to control.



**SAVE THESE INSTRUCTIONS.**

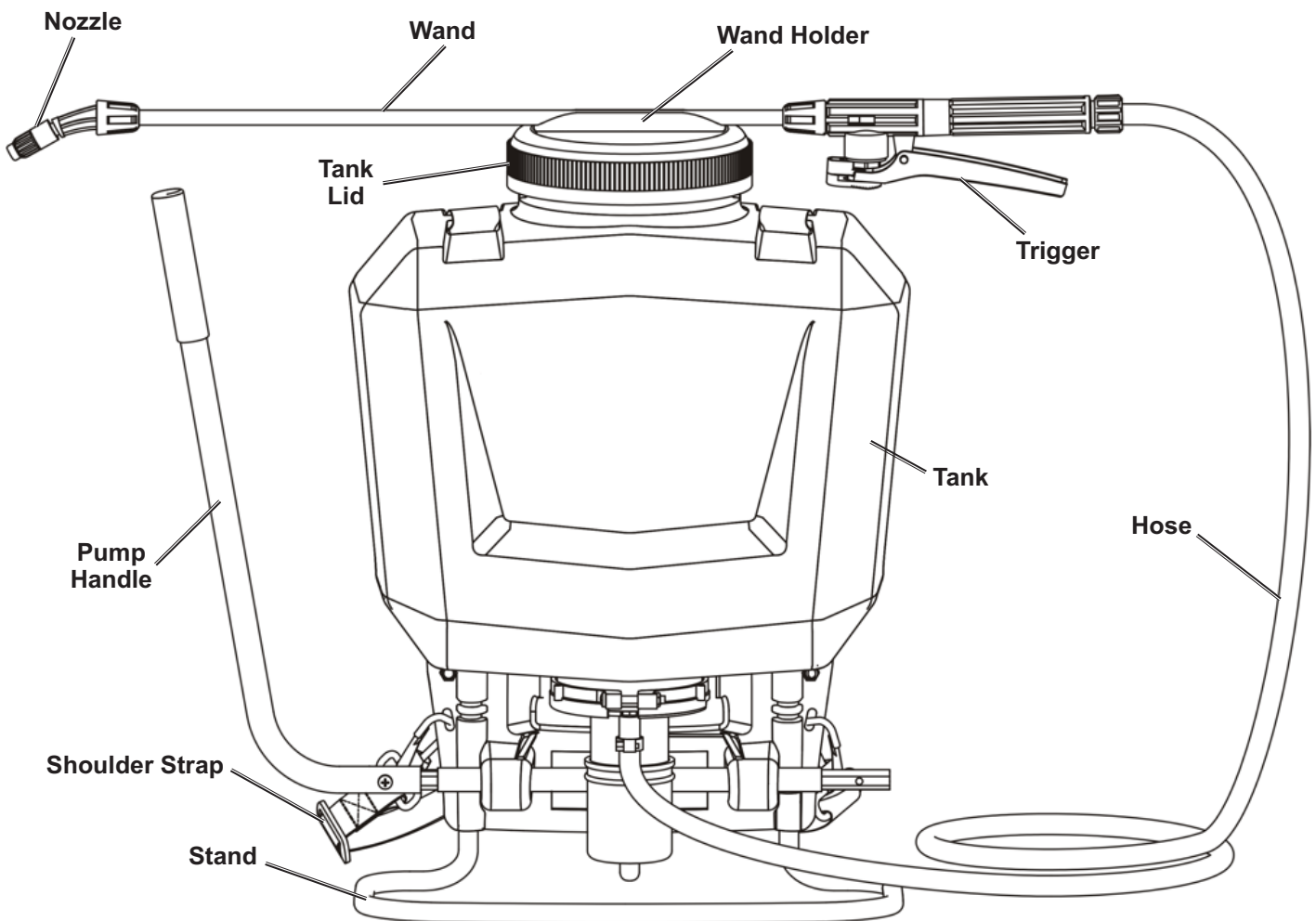
**Niagara™**

## Specifications

Tank Capacity	4 Gallons
Empty Weight	9 lb
Max PSI	90 PSI

## Components and Controls

**Note:** For additional information regarding the parts listed in the following pages, refer to the *Parts List and Diagram* on page 10.



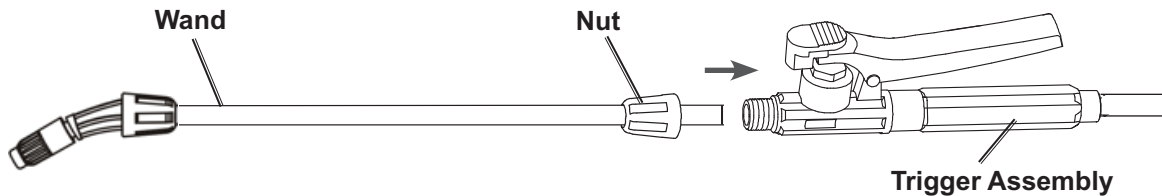
## Assembly Instructions



Read the **ENTIRE IMPORTANT SAFETY INFORMATION** section at the beginning of this document including all text under subheadings therein before set up or use of this product.

## Attaching the Wand

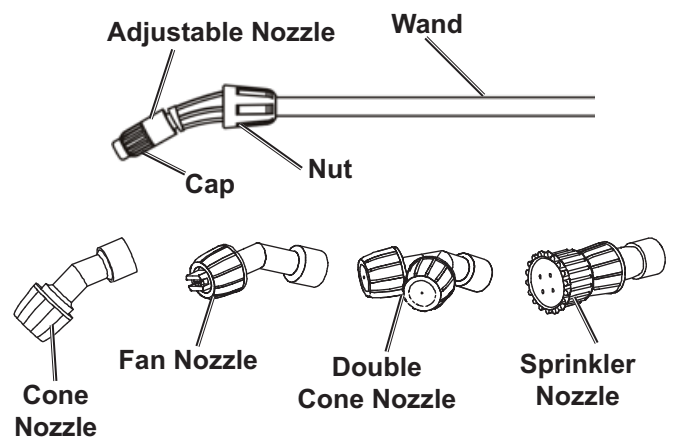
1. Insert end of Wand into the end of the Trigger Assembly.
2. Slide Nut over threaded end of Trigger Assembly, then turn clockwise and tighten Nut securely.



## Changing the Nozzle

**WARNING! TO PREVENT SERIOUS INJURY:** Relieve pressure and empty tank before changing Nozzles.

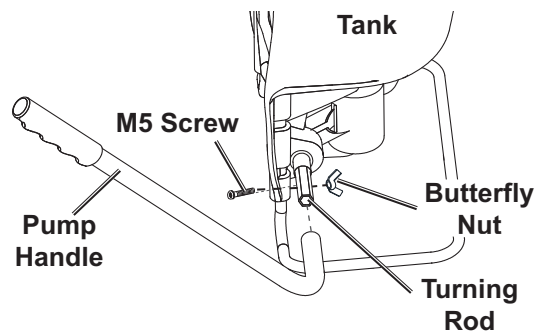
1. Loosen Nut by turning counterclockwise. Remove Nozzle.
2. Replace Nozzle. Tighten Nut securely.
3. When using the Adjustable Nozzle, adjust the output flow by turning the nozzle's Cap.



## Pump Handle Orientation

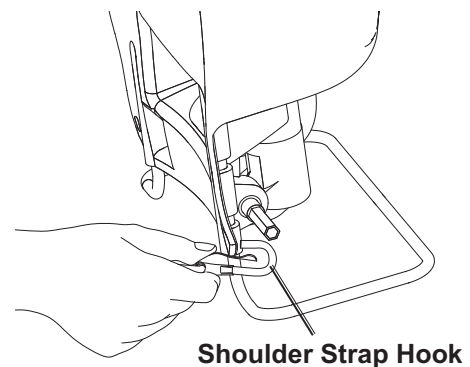
The Pump Handle can be installed on either side of the Tank. To change the side that the Handle is on:

1. Remove the Butterfly Nut and M5 Screw. Save these parts and remove the Pump Handle.
2. Move the Pump Handle to the other side of the Tank and attach it to the other end of the Turning Rod using the saved parts.



## Attaching the Shoulder Straps

Attach each Shoulder Strap to bottom of Tank, one on each side.



## Operating Instructions



Read the **ENTIRE IMPORTANT SAFETY INFORMATION** section at the beginning of this document including all text under subheadings therein before set up or use of this product.

**WARNING! TO PREVENT SERIOUS INJURY:**  
Follow all guidelines regarding chemicals sprayed, including MSDS instructions and EPA regulations.

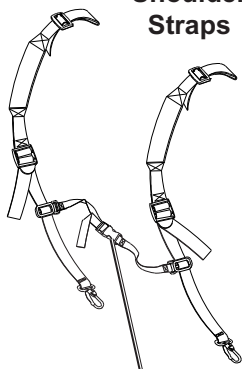
**CAUTION!** If the amount of weight you can lift safely is limited, do not fill the Tank completely to prevent strain and serious injury.

1. Remove Tank Lid and fill Tank, through the Tank Filter, no higher than top fill line. Replace Tank Lid.
2. Strap the Sprayer to your back.
  - a. Put your arms through the Shoulder Straps so the pads rest on your shoulders with the Tank behind your back.
  - b. Wrap the waist strap around your waist and connect the buckle to secure.
  - c. Adjust shoulder and waist straps as needed.

3. Pump the Handle to build up sufficient pressure.
4. Remove the Wand from its holder on the lid of the Tank.
5. Point the Nozzle toward the area to be sprayed, then depress the Trigger to begin spraying.



Shoulder Straps

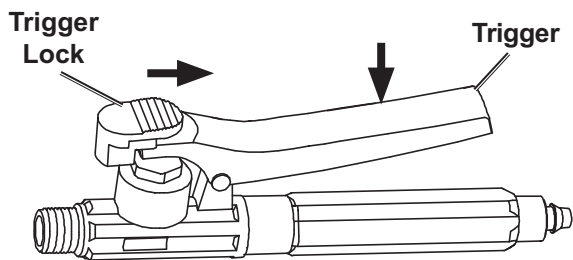


Waist Strap Buckle



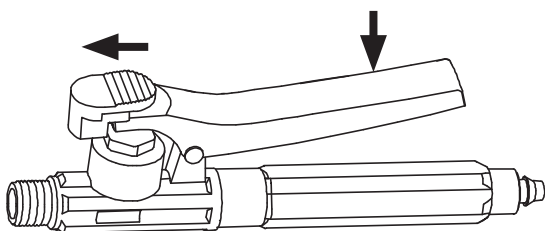
# Niagara™

6. For **continuous spray**, press the Trigger down and pull the Trigger Lock back, then release the Trigger.



**Trigger Lock On**

To **stop continuous spray**, press the Trigger down and push the Trigger Lock forward, then release the Trigger.



**Trigger Lock Off**

7. As you spray, the Sprayer will depressurize. When decreased pressure is affecting spray pattern, pump the Pump Handle until proper pressure is achieved, then resume spraying.
8. When finished spraying:
- Point Wand in safe direction and depressurize the Tank by pressing down on the Trigger.
  - Dispose of liquid according to manufacturer guidelines.
  - Clean the Sprayer according to Maintenance Instructions.
  - Store Sprayer in a safe, dry, clean location out of reach of children and out of sunlight.

# Niagara™

## Inspection, Maintenance, and Cleaning



Procedures not specifically explained in this manual must be performed only by a qualified technician.

### **⚠️WARNING**

#### **TO PREVENT SERIOUS INJURY FROM PRODUCT FAILURE:**

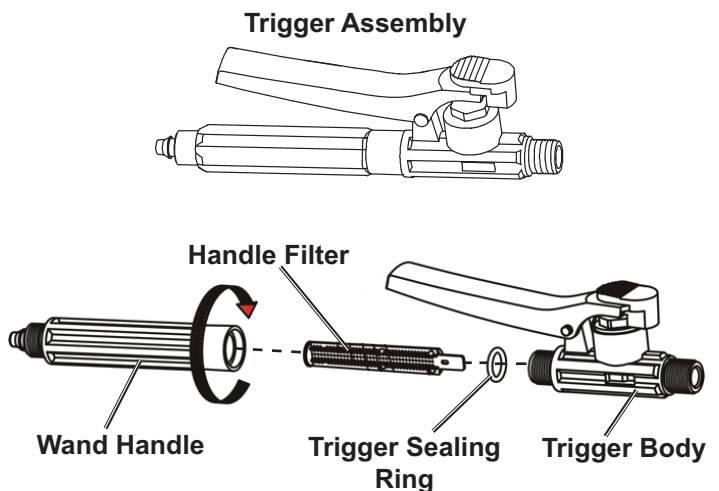
Do not use damaged equipment. If abnormal noise, vibration, or leaking air occurs, have the problem corrected before further use.

Follow all guidelines regarding chemicals sprayed, including MSDS instructions and EPA regulations.

- BEFORE EACH USE**, inspect the general condition of the Sprayer. Check for:
  - loose hardware,
  - misalignment or binding of moving parts,
  - cracked or broken parts, and
  - any other condition that may affect its safe operation.
- AFTER EVERY USE**, clean the Sprayer:
  - a. Flush with water.
  - b. Clean Nozzle, Handle Filter, and Tank Filter.
  - c. Rinse with water and allow to air-dry with the Tank open.
- PERIODICALLY**, lubricate all moving parts of the pump assembly with petroleum jelly.
- STORAGE**  
Store Sprayer in a safe, dry, clean location out of reach of children and out of sunlight.


### Cleaning the Handle Filter

1. Remove Trigger Assembly from the Wand by turning it counter clockwise.
2. Remove the Wand Handle from the Trigger Body by turning it counter clockwise.
3. Carefully remove the Handle Filter, saving all pieces.
4. Flush Filter with clean water.
5. Reassemble Trigger Assembly.





# Troubleshooting

Problem	Possible Causes	Likely Solutions
Unit does not spray.	<ol style="list-style-type: none"> <li>1. Not enough liquid in tank.</li> <li>2. Sprayer not pressurized.</li> <li>3. Nuts loose.</li> <li>4. Spray fluid contains particles or sand.</li> <li>5. Nozzle and/or Filter clogged with mineral buildup.</li> </ol>	<ol style="list-style-type: none"> <li>1. Add liquid to tank.</li> <li>2. Pump Handle to pressurize Sprayer.</li> <li>3. Tighten Nuts.</li> <li>4. Disassemble, clean, then reassemble Nozzle and/or Handle and Tank Filters. Empty, clean, then refill Tank with properly strained fluid.</li> <li>5. Disassemble, clean, then reassemble Nozzle and/or Handle and Tank Filters.</li> </ol>
Spray pattern is undesirable.	<ol style="list-style-type: none"> <li>1. Spray fluid contains particles or sand.</li> <li>2. Nozzle and/or Filter clogged with mineral buildup.</li> </ol>	<ol style="list-style-type: none"> <li>1. Disassemble, clean, then reassemble Nozzle and/or Handle and Tank Filters. Empty, clean, then refill Tank with properly strained fluid.</li> <li>2. Disassemble, clean, then reassemble Nozzle and/or Handle and Tank Filters.</li> </ol>
 <b>Follow all safety precautions whenever diagnosing or servicing the Sprayer.</b>		

**Record Serial Number Here:**

---

**Note: If product has no serial number, record month and year of purchase instead.**

**Note:** Some parts are listed and shown for illustration purposes only, and are not available individually as replacement parts. Specify UPC 792363566452 when ordering parts.

## PLEASE READ THE FOLLOWING CAREFULLY

THE MANUFACTURER AND/OR DISTRIBUTOR HAS PROVIDED THE PARTS LIST AND ASSEMBLY DIAGRAM IN THIS DOCUMENT AS A REFERENCE TOOL ONLY. NEITHER THE MANUFACTURER OR DISTRIBUTOR MAKES ANY REPRESENTATION OR WARRANTY OF ANY KIND TO THE BUYER THAT HE OR SHE IS QUALIFIED TO MAKE ANY REPAIRS TO THE PRODUCT, OR THAT HE OR SHE IS QUALIFIED TO REPLACE ANY PARTS OF THE PRODUCT. IN FACT, THE MANUFACTURER AND/OR DISTRIBUTOR EXPRESSLY STATES THAT ALL REPAIRS AND PARTS REPLACEMENTS SHOULD BE UNDERTAKEN BY CERTIFIED AND LICENSED TECHNICIANS, AND NOT BY THE BUYER. THE BUYER ASSUMES ALL RISK AND LIABILITY ARISING OUT OF HIS OR HER REPAIRS TO THE ORIGINAL PRODUCT OR REPLACEMENT PARTS THERETO, OR ARISING OUT OF HIS OR HER INSTALLATION OF REPLACEMENT PARTS THERETO.

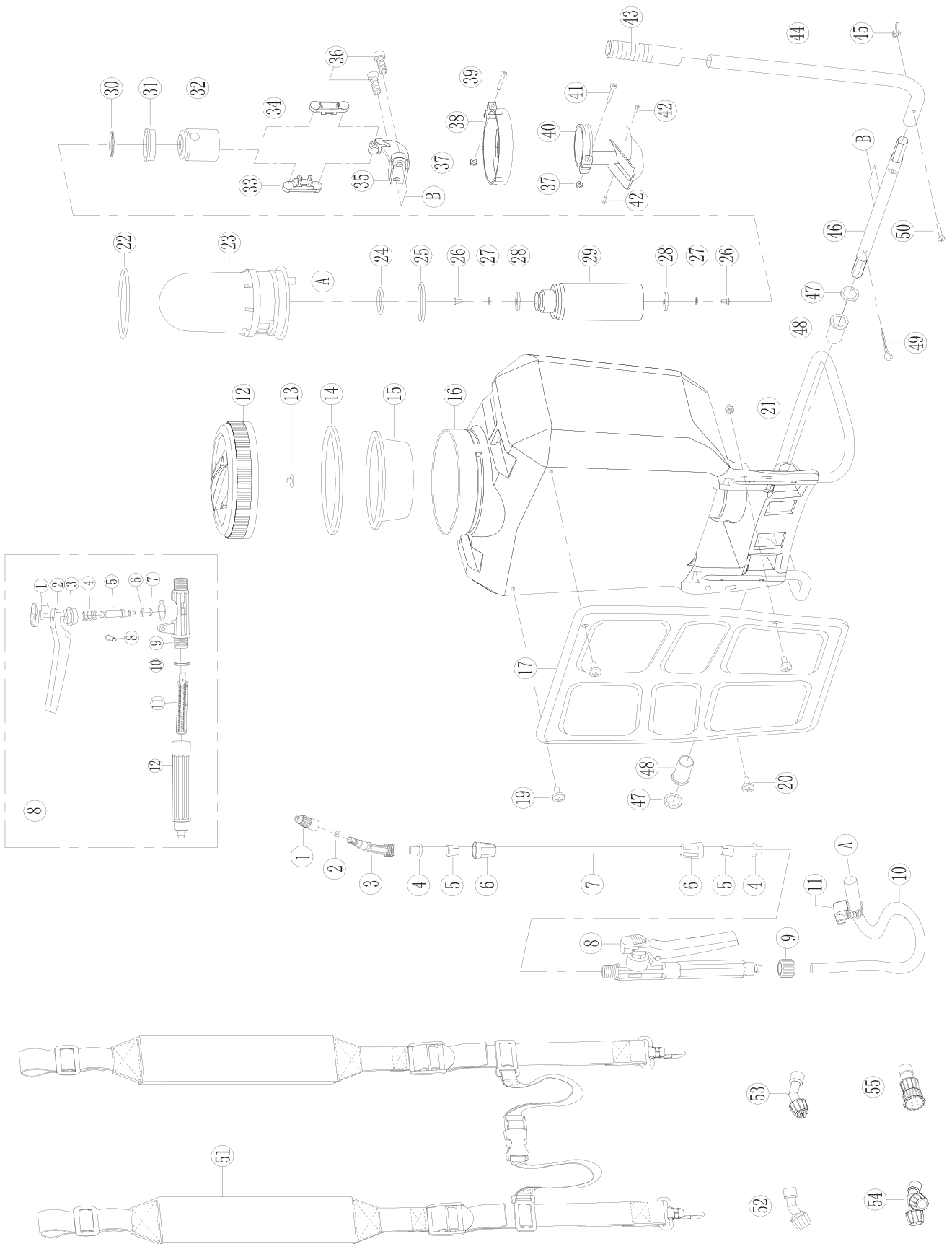
### Parts List and Diagram

### Parts List

Part	Description	Qty
1	Nozzle Cap	1
2	Nozzle O-Ring	1
3	Joint	1
4	Wand O-Ring	2
5	Split Sleeve	2
6	Wand Nut	2
7	Wand	1
8	Trigger	1
8-1	Trigger Lock	1
8-2	Trigger Lever	1
8-3	Trigger Nut	1
8-4	Trigger Spring	1
8-5	Valve Core	1
8-6	Valve Core O-Ring	1
8-7	Trigger Sealing Pad	1
8-8	Trigger Pin	1
8-9	Trigger Body	1
8-10	Trigger Sealing Ring	1
8-11	Wand Handle Filter	1
8-12	Wand Handle	1
9	Hose Nut	1
10	Hose	1
11	Hose Locking Ring	1
12	Tank Lid	1
13	Air Intake Plug	1
14	Tank Gasket	1
15	Tank Filter	1
16	Tank	1
17	Back Pad	1
19	Screw, M6 x 12	2
20	Screw, M6 x 18	2
21	Nut, M6	2
22	Air Chamber O-Ring	1

Part	Description	Qty
23	Air Chamber	1
24	Pump O-Ring Ø29	1
25	Pump O-Ring Ø49	1
26	Screw ST4×8	2
27	Flat Gasket	2
28	Pump Valve Gasket	2
29	Pump Cylinder	1
30	Piston Spring	1
31	Piston Bowl	1
32	Piston	1
33	Connecting Rod Clamp	1
34	Connecting Rod Calibre	1
35	Operation Arm	1
36	Inner hex Screw, M8 x 25	2
37	Nut, M5	2
38	Pump Locking Ring	1
39	Screw, M5	1
40	Piston Cover	1
41	Screw, M5 x 25	1
42	Screw, ST3 x 10	2
43	Pump Handle Cover	1
44	Pump Handle	1
45	Nut, M5	1
46	Turning Rod	1
47	Flat Gasket	2
48	Turning Rod Sleeve	2
49	Split Pin	1
50	Screw, M5 x 25	1
51	Shoulder Strap	1
52	Cone Nozzle	1
53	Fan Nozzle	1
54	Double Cone Nozzle	1
55	Adjustable Jet Nozzle	1

# Assembly Diagram



## Limited 90 Day Warranty

Harbor Freight Tools Co. makes every effort to assure that its products meet high quality and durability standards, and warrants to the original purchaser that this product is free from defects in materials and workmanship for the period of 90 days from the date of purchase. This warranty does not apply to damage due directly or indirectly, to misuse, abuse, negligence or accidents, repairs or alterations outside our facilities, criminal activity, improper installation, normal wear and tear, or to lack of maintenance. We shall in no event be liable for death, injuries to persons or property, or for incidental, contingent, special or consequential damages arising from the use of our product. Some states do not allow the exclusion or limitation of incidental or consequential damages, so the above limitation of exclusion may not apply to you. THIS WARRANTY IS EXPRESSLY IN LIEU OF ALL OTHER WARRANTIES, EXPRESS OR IMPLIED, INCLUDING THE WARRANTIES OF MERCHANTABILITY AND FITNESS.

To take advantage of this warranty, the product or part must be returned to us with transportation charges prepaid. Proof of purchase date and an explanation of the complaint must accompany the merchandise. If our inspection verifies the defect, we will either repair or replace the product at our election or we may elect to refund the purchase price if we cannot readily and quickly provide you with a replacement. We will return repaired products at our expense, but if we determine there is no defect, or that the defect resulted from causes not within the scope of our warranty, then you must bear the cost of returning the product.

This warranty gives you specific legal rights and you may also have other rights which vary from state to state.

The logo for Niagara, featuring the word "Niagara" in a bold, sans-serif font. The letter "i" is stylized with a curved line above it, resembling a drop or a splash of water. A small trademark symbol (TM) is located at the end of the word.

26677 Agoura Road • Calabasas, CA 91302 • 1-888-866-5797