

Owner's Manual & Safety Instructions

Save This Manual Keep this manual for the safety warnings and precautions, assembly, operating, inspection, maintenance and cleaning procedures. Write the product's serial number in the back of the manual near the assembly diagram (or month and year of purchase if product has no number). Keep this manual and the receipt in a safe and dry place for future reference.

191

PITTSBURGH[®] AUTOMOTIVE

56894

2 Lb. Slide Hammer & Puller Set



Visit our website at: <http://www.harborfreight.com>
Email our technical support at: productsupport@harborfreight.com

When unpacking, make sure that the product is intact and undamaged. If any parts are missing or broken, please call 1-888-866-5797 as soon as possible.

Copyright © 2019 by Harbor Freight Tools®. All rights reserved.
No portion of this manual or any artwork contained herein may be reproduced in any shape or form without the express written consent of Harbor Freight Tools. Diagrams within this manual may not be drawn proportionally. Due to continuing improvements, actual product may differ slightly from the product described herein.
Tools required for assembly and service may not be included.






⚠ WARNING

Read this material before using this product.
Failure to do so can result in serious injury.
SAVE THIS MANUAL.

Specifications

Hammer Weight	2 lb.
Rod Threads	3/8"-16

WARNING SYMBOLS AND DEFINITIONS

	This is the safety alert symbol. It is used to alert you to potential personal injury hazards. Obey all safety messages that follow this symbol to avoid possible injury or death.
	Indicates a hazardous situation which, if not avoided, will result in death or serious injury.
	Indicates a hazardous situation which, if not avoided, could result in death or serious injury.
	Indicates a hazardous situation which, if not avoided, could result in minor or moderate injury.
	Addresses practices not related to personal injury.

Important Safety Information

1. Wear ANSI-approved safety goggles and heavy-duty work gloves during assembly and use.
2. Inspect before every use; do not use if parts are damaged.
3. Do not use for aircraft purposes; use as intended only.
4. Do not modify Slide Hammer to perform a task other than what it was designed for. Do not use anything other than the included hammer with this tool.
5. Read vehicle owner's manual and instruction manual for Jack (not included) for proper jacking positions (where applicable) before use.
6. Assemble only according to instructions. Improper assembly can create hazards.
7. This product is not a toy. Do not allow children to play with or near this item.
8. Maintain product labels and nameplates. These carry important safety information. If unreadable or missing, contact Harbor Freight Tools for a replacement.
9. Harbor Freight Tools is not responsible for vehicle damage (including cosmetic damage) due to improper use or lack of experience for using this type of tool.

Instructions



Read the **ENTIRE IMPORTANT SAFETY INFORMATION** section at the beginning of this document including all text under subheadings therein before set up or use of this product.

Note: For additional information regarding the parts listed in the following pages, refer to *Parts List and Diagram* on page 6.

Assembly

1. Slide Handle Crossbar (2) through hole in the handle-end of Slide Screw (3).
 2. Place Slide Hammer (12) onto the Slide Screw.
- NOTE:** This tool will exert strong forces on the object being pulled and may damage some objects during removal, depending on the force required.

Two-Jaw Pulling

1. Decide if you need the Small Jaws (9), Large Jaws (10), or the Two-Jaw Puller Adapter (8). The Adapter is smaller and should be used for narrower, hard-to-reach objects.
2. Determine if you need to attach the Jaws for an internal or external pull.
 - An external pull allows the jaws to grip the outside surface of the object.
 - An internal pull allows the jaws to grip the inside surface of the object.
3. Assemble the Small Jaws or Large Jaws to the Jaw Adapter using the two Locking Pins (1). If you are using the Two-Jaw Puller Adapter, attach it directly to the threaded end of the Slide Screw (3).
4. Thread the assembled Jaws/Jaw Adapter onto end of Slide Screw.
5. Attach the Jaws to the object to be pulled.
6. Push the Slide Hammer toward the object to be pulled. Forcefully pull the Slide Hammer toward the handle end.
7. Repeat Step Six until the object is successfully pulled.

PITTSBURGH[®] AUTOMOTIVE

Bolt Removal

1. Attach the Cone Rod (6) to the end of the Screw Adapter (7), then attach this piece directly to the Slide Screw.
2. The Cone Rod works like an easy-out bolt remover. Center the point of the Cone Rod in the middle of the bolt to be removed.
3. **FORCEFULLY** push the Slide Hammer into the bolt to be removed.
4. Turn the Slide Screw **COUNTERCLOCKWISE** as you pull out the bolt. Continue to twist and pull **COUNTERCLOCKWISE** until bolt is removed.

Hook Pulling

1. Attach the Puller Hook (11) or the Square Hook (5) to the end of the Slide Screw.
2. Identify the lip area or edge of the object you will be inserting the chosen Hook into or onto.
3. Place the Hook into/onto the edge or lip of the object to be pulled.
4. Push the Slide Hammer toward the object to be pulled. Pull the Slide Hammer toward the handle end.
5. Repeat Step Four until the object has been pulled out.

Maintenance and Servicing

⚠️WARNING

TO PREVENT SERIOUS INJURY FROM TOOL FAILURE:

Do not use damaged equipment. If abnormal noise or vibration occurs, have the problem corrected before further use.

Cleaning, Maintenance, and Lubrication

1. **BEFORE EACH USE**, inspect the general condition of the tool. Check for:
 - loose hardware
 - misalignment or binding of moving parts
 - cracked or broken parts
 - any other condition that may affect its safe operation.
2. **AFTER USE**, wipe off all parts with a clean cloth.
3. Lubricate attachments regularly to ensure smooth operation.
4. Replace attachments if threads wear and will not attach securely to Slide Hammer.

PLEASE READ THE FOLLOWING CAREFULLY

THE MANUFACTURER AND/OR DISTRIBUTOR HAS PROVIDED THE PARTS LIST AND ASSEMBLY DIAGRAM IN THIS DOCUMENT AS A REFERENCE TOOL ONLY. NEITHER THE MANUFACTURER OR DISTRIBUTOR MAKES ANY REPRESENTATION OR WARRANTY OF ANY KIND TO THE BUYER THAT HE OR SHE IS QUALIFIED TO MAKE ANY REPAIRS TO THE PRODUCT, OR THAT HE OR SHE IS QUALIFIED TO REPLACE ANY PARTS OF THE PRODUCT. IN FACT, THE MANUFACTURER AND/OR DISTRIBUTOR EXPRESSLY STATES THAT ALL REPAIRS AND PARTS REPLACEMENTS SHOULD BE UNDERTAKEN BY CERTIFIED AND LICENSED TECHNICIANS, AND NOT BY THE BUYER. THE BUYER ASSUMES ALL RISK AND LIABILITY ARISING OUT OF HIS OR HER REPAIRS TO THE ORIGINAL PRODUCT OR REPLACEMENT PARTS THERETO, OR ARISING OUT OF HIS OR HER INSTALLATION OF REPLACEMENT PARTS THERETO.

Parts List and Diagram

Parts List

Part	Description	Qty.
1	Locking Pin	2
2	Handle Crossbar	1
3	Slide Screw	1
4	Two-Jaw Puller	1
5	Square Hook	1
6	Cone Rod	1

Part	Description	Qty.
7	Screw Adapter*	1
8	Jaw Adapter	1
9	Small Jaw	2
10	Large Jaw	2
11	Puller Hook	1
12	Slide Hammer	1

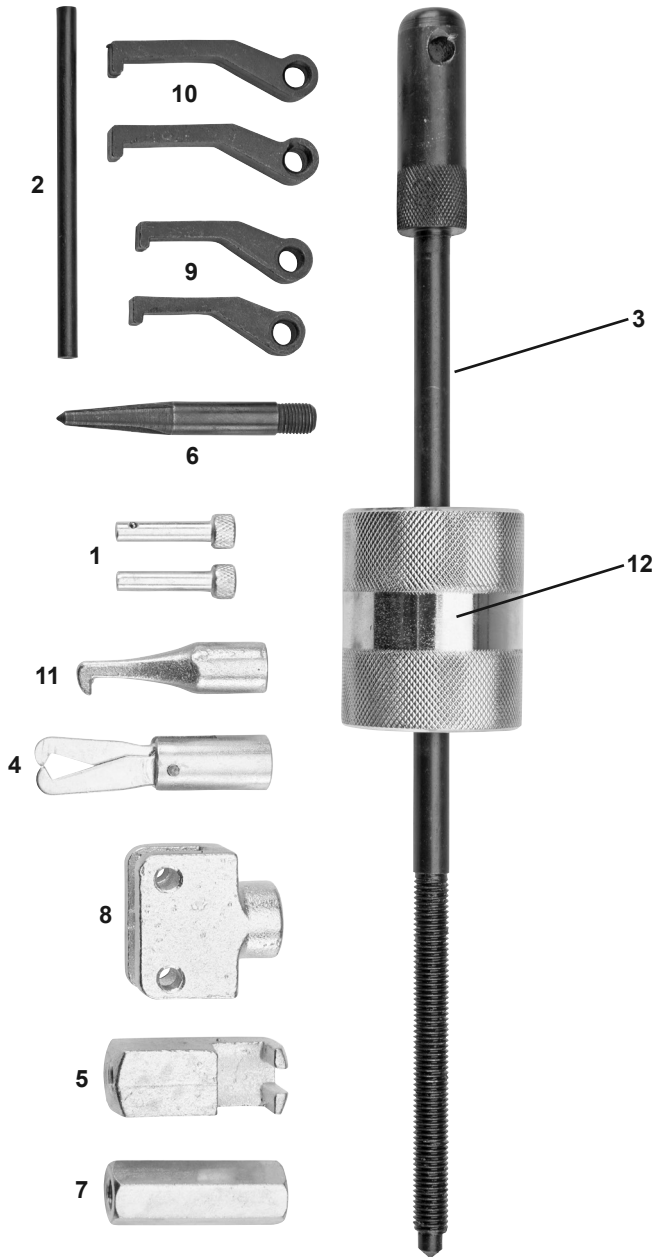
***NOTE:** The thread-on Screw Adapter allows for the use of additional pulling attachments that use a smaller diameter thread.

Record Product's Serial Number Here: _____

Note: If product has no serial number, record month and year of purchase instead.

Note: Some parts are listed and shown for illustration purposes only, and are not available individually as replacement parts.

Diagram



Limited 90 Day Warranty

Harbor Freight Tools Co. makes every effort to assure that its products meet high quality and durability standards, and warrants to the original purchaser that this product is free from defects in materials and workmanship for the period of 90 days from the date of purchase. This warranty does not apply to damage due directly or indirectly, to misuse, abuse, negligence or accidents, repairs or alterations outside our facilities, criminal activity, improper installation, normal wear and tear, or to lack of maintenance. We shall in no event be liable for death, injuries to persons or property, or for incidental, contingent, special or consequential damages arising from the use of our product. Some states do not allow the exclusion or limitation of incidental or consequential damages, so the above limitation of exclusion may not apply to you. THIS WARRANTY IS EXPRESSLY IN LIEU OF ALL OTHER WARRANTIES, EXPRESS OR IMPLIED, INCLUDING THE WARRANTIES OF MERCHANTABILITY AND FITNESS.

To take advantage of this warranty, the product or part must be returned to us with transportation charges prepaid. Proof of purchase date and an explanation of the complaint must accompany the merchandise. If our inspection verifies the defect, we will either repair or replace the product at our election or we may elect to refund the purchase price if we cannot readily and quickly provide you with a replacement. We will return repaired products at our expense, but if we determine there is no defect, or that the defect resulted from causes not within the scope of our warranty, then you must bear the cost of returning the product.

This warranty gives you specific legal rights and you may also have other rights which vary from state to state.

PITTSBURGH[®] AUTOMOTIVE