

Owner's Manual & Safety Instructions

Save This Manual Keep this manual for the safety warnings and precautions, assembly, operating, inspection, maintenance and cleaning procedures. Write the product's serial number in the back of the manual near the assembly diagram (or month and year of purchase if product has no number). Keep this manual and the receipt in a safe and dry place for future reference.

20a

BauerTM

191101A-B

REPLACEMENT DRAIN CLEANING CABLE



**For use with Bauer 1724E-B, Self-Feeding Hand-Held Electric Drain Cleaner and
Bauer 19110C-B, 20V Cordless Auto-Feed Drain Cleaner**

Visit our website at: <http://www.harborfreight.com>
Email our technical support at: productsupport@harborfreight.com

56901

When unpacking, make sure that the product is intact and undamaged. If any parts are missing or broken, please call 1-888-866-5797 as soon as possible.

Copyright© 2019 by Harbor Freight Tools®. All rights reserved.
No portion of this manual or any artwork contained herein may be reproduced in any shape or form without the express written consent of Harbor Freight Tools. Diagrams within this manual may not be drawn proportionally. Due to continuing improvements, actual product may differ slightly from the product described herein. Tools required for assembly and service may not be included.

⚠ WARNING

Read this material before using this product. Failure to do so can result in serious injury. **SAVE THIS MANUAL.**

IMPORTANT SAFETY INFORMATION

Assembly Precautions

1. Assemble only according to these instructions. Improper assembly can create hazards.
2. Wear ANSI-approved safety goggles and rubber gloves during assembly.
3. Keep assembly area clean and well lit.
4. Keep bystanders out of the area during assembly.
5. Do not assemble when tired or when under the influence of alcohol, drugs or medication.

Use Precautions

1. This product is not a toy. Do not allow children to play with or near this item.
2. Use as intended only.
3. Inspect before every use; do not use if parts are loose or damaged.

Assembly Instructions

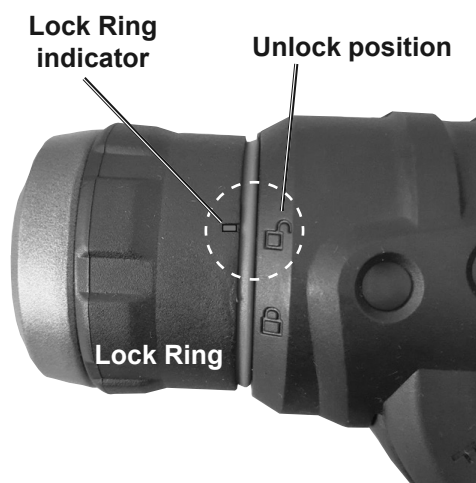


Read the **ENTIRE** IMPORTANT SAFETY INFORMATION section at the beginning of this document including all text under subheadings therein before set up or use of this product.

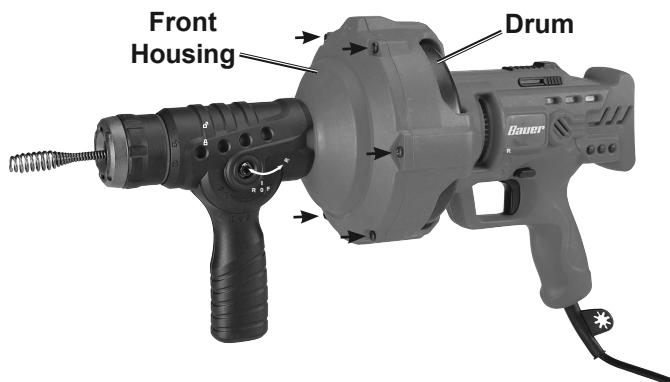
1. Unplug Drain Cleaner from outlet.

Note: Bauer 1724E-B shown in illustrations.

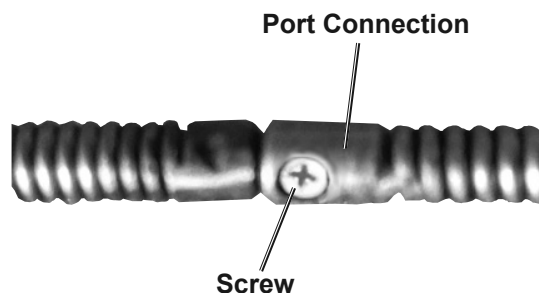
2. Set the Drain Cleaner's Lock Ring indicator to the unlock position.



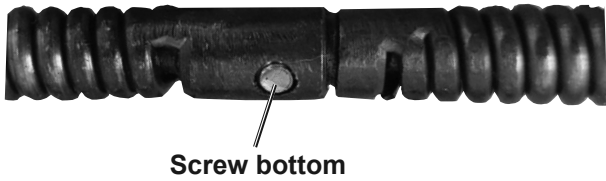
3. Remove six screws from front housing and carefully front housing from rear housing. Save screws.



4. Pull Drum, with cable attached, from front housing. Place Drum bottom on protected flat surface with cable pointing up.
5. Pull old cable out of Drum until connection to Drum Cable is accessible. Stop when you see the port connection.
6. Carefully remove screw by turning it counter clockwise. Save screw.
7. Separate cable from Drum Cable.
8. Feed connector end of the Replacement Cable through the front of the Lock Ring and through Front Housing, then connect Replacement Cable to Drum Cable.
9. Make sure the screw hole lines up and attach the saved screw. Turn screw clockwise and tighten until the screw head is slightly lower than the rim of the screw hole.



10. Check that the screw has secured the Drum Cable to the Replacement Cable. Look at the other side of the Port Connection. The bottom of the screw should be flush with the rim of the screw hole.



11. Manually feed the cable back into the Drum. The cable should be kept straight as it loops back into drum **clockwise**. Continue until the cable fully in the Drum.

12. Stop when the end of the cable is at the front of the Lock Ring.



13. Set Lock Ring to locked position.
14. Place drum back into front housing.
15. Place back housing onto the front housing. The work light should be at the top and six housing screw holes aligned.
16. Use the six saved housing screws to secure the front housing to the back housing. Tighten screws securely.

Record Serial Number Here:

Note: If product has no serial number, record month and year of purchase instead.

Replacement parts are not available.

Limited 90 Day Warranty

Harbor Freight Tools Co. makes every effort to assure that its products meet high quality and durability standards, and warrants to the original purchaser that this product is free from defects in materials and workmanship for the period of 90 days from the date of purchase. This warranty does not apply to damage due directly or indirectly, to misuse, abuse, negligence or accidents, repairs or alterations outside our facilities, criminal activity, improper installation, normal wear and tear, or to lack of maintenance. We shall in no event be liable for death, injuries to persons or property, or for incidental, contingent, special or consequential damages arising from the use of our product. Some states do not allow the exclusion or limitation of incidental or consequential damages, so the above limitation of exclusion may not apply to you. THIS WARRANTY IS EXPRESSLY IN LIEU OF ALL OTHER WARRANTIES, EXPRESS OR IMPLIED, INCLUDING THE WARRANTIES OF MERCHANTABILITY AND FITNESS.

To take advantage of this warranty, the product or part must be returned to us with transportation charges prepaid. Proof of purchase date and an explanation of the complaint must accompany the merchandise. If our inspection verifies the defect, we will either repair or replace the product at our election or we may elect to refund the purchase price if we cannot readily and quickly provide you with a replacement. We will return repaired products at our expense, but if we determine there is no defect, or that the defect resulted from causes not within the scope of our warranty, then you must bear the cost of returning the product.

This warranty gives you specific legal rights and you may also have other rights which vary from state to state.

The logo for Bauer, featuring the word "Bauer" in a bold, italicized, sans-serif font. The letters are black with a white outline, and a small trademark symbol (TM) is located at the bottom right of the word.

26541 Agoura Road • Calabasas, CA 91302 • 1-888-866-5797