

Owner's Manual & Safety Instructions

Save This Manual Keep this manual for the safety warnings and precautions, assembly, operating, inspection, maintenance and cleaning procedures. Write the product's serial number in the back of the manual near the assembly diagram (or month and year of purchase if product has no number). Keep this manual and the receipt in a safe and dry place for future reference.

19k

ATLASTM **BRUSHLESS** **BLOWER**

40V **LITHIUM**



56999

80V **LITHIUM**



56994

Battery and charger sold separately

Visit our website at: <http://www.harborfreight.com>
Email our technical support at: productsupport@harborfreight.com

When unpacking, make sure that the product is intact and undamaged. If any parts are missing or broken, please call 1-888-866-5797 as soon as possible.

Copyright© 2019 by Harbor Freight Tools®. All rights reserved.
No portion of this manual or any artwork contained herein may be reproduced in any shape or form without the express written consent of Harbor Freight Tools. Diagrams within this manual may not be drawn proportionally. Due to continuing improvements, actual product may differ slightly from the product described herein. Tools required for assembly and service may not be included.

⚠ WARNING

Read this material before using this product. Failure to do so can result in serious injury. **SAVE THIS MANUAL.**

Table of Contents






Safety	2	Maintenance	9
Specifications	6	Parts List and Diagram	10
Setup	6	Warranty	12
Operation	8		

SAFETY

SETUP

OPERATION

MAINTENANCE

WARNING SYMBOLS AND DEFINITIONS	
	This is the safety alert symbol. It is used to alert you to potential personal injury hazards. Obey all safety messages that follow this symbol to avoid possible injury or death.
	Indicates a hazardous situation which, if not avoided, will result in death or serious injury.
	Indicates a hazardous situation which, if not avoided, could result in death or serious injury.
	Indicates a hazardous situation which, if not avoided, could result in minor or moderate injury.
	Addresses practices not related to personal injury.


IMPORTANT SAFETY INSTRUCTIONS

When using an electrical appliance, basic safety precautions should always be followed, including the following:

READ ALL INSTRUCTIONS BEFORE USING

WARNING


To reduce the risk of fire, electric shock, or injury:

1. Do not leave appliance when battery is connected. Remove battery when not in use and before servicing.
2. Do not use outdoors or on wet surfaces.
3. Do not allow to be used as a toy. Close attention is necessary when used by or near children.
4. Use only as described in this manual. Use only manufacturer's recommended attachments.
5. Do not use with damaged battery. If appliance is not working as it should, has been dropped, damaged, left outdoors, or dropped into water, return it to a service center.
6. Do not handle battery or appliance with wet hands.
7. Do not put any object into openings. Do not use with any opening blocked; keep free of dust, lint, hair, and anything that may reduce air flow.
8. Keep hair, loose clothing, fingers, and all parts of body away from openings and moving parts.
9. Turn off all controls before removing battery.
10. Use extra care when cleaning on stairs.
11. Do not use to pick up flammable or combustible liquids, such as gasoline, or use in areas where they may be present.
12. **Do Not Use In Rain.**
13.  **Wear ANSI-approved safety goggles, hard hat and heavy-duty rubber work gloves.** Use face or dust mask if operation is dusty.
14. **Use Right Appliance** - Do not use appliance for any job except that for which it is intended.
15. **Avoid Unintentional Starting** - Do not carry appliance with finger on switch.

16. **Do Not Force Appliance** - It will do the job better and with less likelihood of injury at the rate for which it was designed.
17. **Do not Overreach** - Keep proper footing and balance at all times.
18. **Stay Alert** - Watch what you are doing. Use common sense. Do not operate appliance when you are tired.
19. **Store Idle Appliances Indoors** - When not in use, appliances should be stored indoors in dry, and high or locked-up place - out of reach of children.
20. **Maintain Appliance With Care** - Keep cutting edge sharp and clean for best performance and to reduce the risk of injury. Follow instructions for lubricating and changing accessories. Keep handles dry, clean, and free from oil and grease.
21. **Check Damaged Parts** - Before further use of the appliance, a guard or other part that is damaged should be carefully checked to determine that it will operate properly and perform its intended function. Check for alignment of moving parts, binding of moving parts, breakage of parts, mounting, and any other condition that may affect its operation. A guard or other part that is damaged should be properly repaired or replaced by a qualified technician unless indicated elsewhere in this manual.
22. **Remove all hard objects from work area. Do not blow debris in the direction of people, animals or property.**
23. Use only accessories provided. Keep guards in place and in working order.
24. Do not attach Battery or use Blower without the Tube attached.
25. Maintain labels and nameplates on the appliance. These carry important safety information. If unreadable or missing, contact Harbor Freight Tools for a replacement.
26. People with pacemakers should consult their physician(s) before use. Electromagnetic fields in close proximity to heart pacemaker could cause pacemaker interference or pacemaker failure.
27. The warnings, precautions, and instructions discussed in this instruction manual cannot cover all possible conditions and situations that may occur. It must be understood by the operator that common sense and caution are factors which cannot be built into this product, but must be supplied by the operator.

Battery tool use and care

SAFETY

1. Prevent unintentional starting. Ensure the switch is in the off-position before connecting to battery pack, picking up or carrying the power tool. Carrying the power tool with your finger on the switch or energizing power tool that have the switch on invites accidents.
2. Disconnect the battery pack from the power tool before making any adjustments, changing accessories, or storing power tool. Such preventive safety measures reduce the risk of starting the power tool accidentally.
3. Recharge only with the charger specified by the manufacturer. A charger that is suitable for one type of battery pack may create a risk of fire when used with another battery pack.
4. Use power tools only with specifically designated battery packs. Use of any other battery packs may create a risk of injury and fire.
5. When battery pack is not in use, keep it away from other metal objects, like paper clips, coins, keys, nails, screws or other small metal objects, that can make a connection from one terminal to another. Shorting the battery terminals together may cause burns or a fire.
6. Under abusive conditions, liquid may be ejected from the battery; avoid contact. If contact accidentally occurs, flush with water. If liquid contacts eyes, additionally seek medical help. Liquid ejected from the battery may cause irritation or burns.
7. Do not use a battery pack or power tool that is damaged or modified. Damaged or modified batteries may exhibit unpredictable behavior resulting in fire, explosion or risk of injury.
8. Do not expose a battery pack or power tool to fire or excessive temperature. Exposure to fire or temperature above 265°F may cause explosion.
9. Follow all charging instructions and do not charge the battery pack or power tool outside of the temperature range specified in the instructions. Charging improperly or at temperatures outside of the specified range may damage the battery and increase the risk of fire.
10. Have servicing performed by a qualified repair person using only identical replacement parts. This will ensure that the safety of the product is maintained.
11. Do not modify or attempt to repair the power tool or the battery pack except as indicated in the instructions for use and care.
12.  The battery Charger gets hot during use. The Charger's heat can build up to unsafe levels and create a fire hazard if it does not receive adequate ventilation, due to an electrical fault, or if it is used in a hot environment. Do not place the Charger on a flammable surface. Do not obstruct any vents on the Charger. **Especially avoid placing the Charger on carpets and rugs; they are not only flammable, but they also obstruct vents under the Charger.** Place the Charger on a stable, solid, nonflammable surface (such as a stable metal workbench or concrete floor) at least 1 foot away from all flammable objects, such as drapes or walls. Keep a fire extinguisher and a smoke detector in the area. Frequently monitor the Charger and Battery Pack while charging.

SETUP

OPERATION

Lithium Battery Safety Warnings



LITHIUM BATTERIES STORE A LARGE AMOUNT OF ENERGY AND WILL VENT FIRE OR EXPLODE IF MISTREATED:



1. **Keep Battery Pack dry.**
2. **DO NOT DO ANY OF THE FOLLOWING TO THE BATTERY PACK:**
 - a. **Open,**
 - b. **Drop,**
 - c. **Short-circuit,**
 - d. **Puncture,**
 - e. **Incinerate, or**
 - f. **Expose to temperatures greater than 104°F.**
3. Charge Battery Pack only according to its Charger's instructions.
4. Inspect Battery Pack before every use; do not use or charge if damaged.

MAINTENANCE

Vibration Safety

This tool vibrates during use.

Repeated or long-term exposure to vibration may cause temporary or permanent physical injury, particularly to the hands, arms and shoulders.

To reduce the risk of vibration-related injury:

1. Anyone using vibrating tools regularly or for an extended period should first be examined by a doctor and then have regular medical check-ups to ensure medical problems are not being caused or worsened from use. Pregnant women or people who have impaired blood circulation to the hand, past hand injuries, nervous system disorders, diabetes, or Raynaud's Disease should not use this tool. If you feel any symptoms related to vibration (such as tingling, numbness, and white or blue fingers), seek medical advice as soon as possible.

2. Do not smoke during use. Nicotine reduces the blood supply to the hands and fingers, increasing the risk of vibration-related injury.
3. Wear suitable gloves to reduce the vibration effects on the user.
4. Use tools with the lowest vibration when there is a choice.
5. Include vibration-free periods each day of work.
6. Grip tool as lightly as possible (while still keeping safe control of it). Let the tool do the work.
7. To reduce vibration, maintain the tool as explained in this manual. If any abnormal vibration occurs, stop use immediately.



SAVE THESE INSTRUCTIONS

Grounding

⚠ WARNING








TO PREVENT ELECTRIC SHOCK AND DEATH FROM INCORRECT GROUNDING: Check with a qualified electrician if you are in doubt as to whether the outlet is properly grounded. Do not modify the power cord plug provided with the charger. Do not use the charger if the power cord or plug is damaged. If damaged, have it repaired by a service facility before use. If the plug will not fit the outlet, have a proper outlet installed by a qualified electrician.

Extension Cords

Note: Extension cords must not be used with this item's Charger.

Symbology

V	Volts
~	Alternating Current
A	Amperes
n_0 xxxx/min.	No Load Revolutions per Minute (RPM)
	WARNING marking concerning Risk of Eye Injury. Wear ANSI-approved safety goggles with side shields.

	WARNING marking concerning Risk of Hearing Loss. Wear hearing protection.
	Read the manual before set-up and/or use.
	WARNING marking concerning Risk of Fire. Do not cover Charger ventilation ducts. Charge on fireproof surface only.
	WARNING marking concerning Risk of Electric Shock. Properly connect Charger's power cord to appropriate outlet.

Specifications

	56994	56999
Battery Type	Atlas Li-Ion 40V/80V (57014) (sold separately)	Atlas Li-Ion 40V (57008) or 40V/80V (57014) (sold separately)
Charger Type	56993 or 56997 Atlas Li-ion	
Sound Rating	97.7dB	91.1dB

Ambient Temperature Ranges		
Operation	6.8 - 104°F	
Battery charging	39 - 104°F	
Blower storage	-4 - 158°F	
Battery storage	1 year	32 - 73°F
	3 month	32 - 113°F
	1 month	32 - 140°F

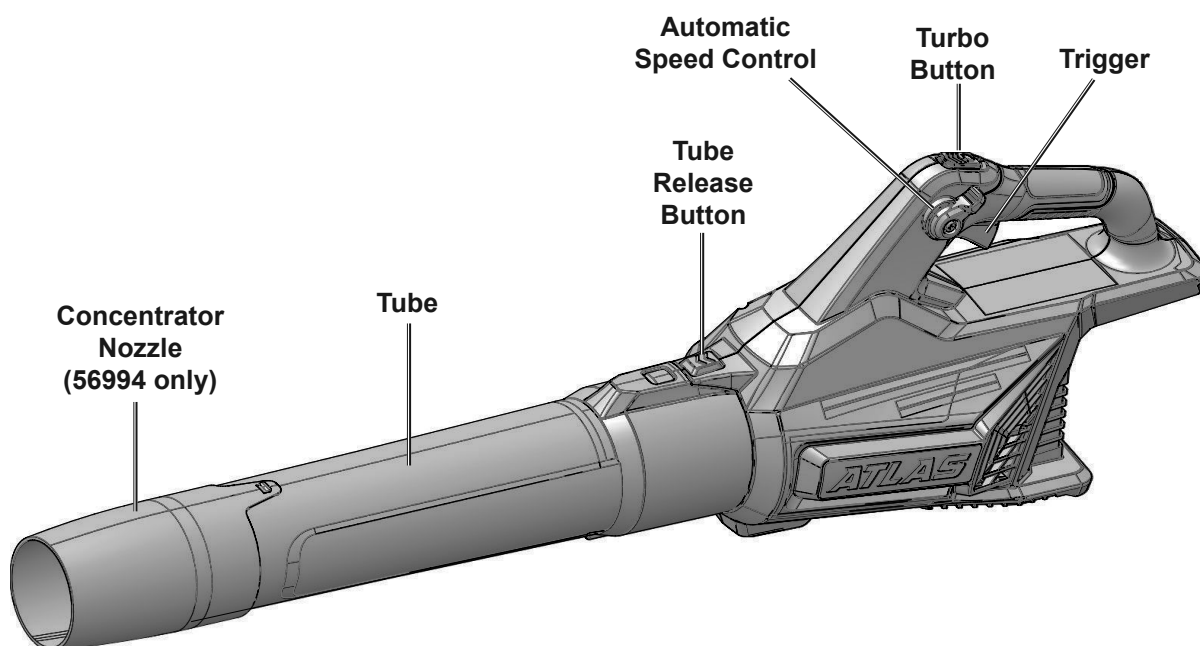
Note: Batteries and Battery Chargers sold separately.

Setup - Before Use:



Read the **ENTIRE IMPORTANT SAFETY INFORMATION** section at the beginning of this manual including all text under subheadings therein before set up or use of this product.

Functions



Assembly Instructions



Read the **ENTIRE IMPORTANT SAFETY INFORMATION** section at the beginning of this manual including all text under subheadings therein before set up or use of this product.

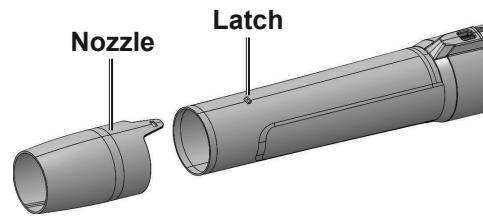
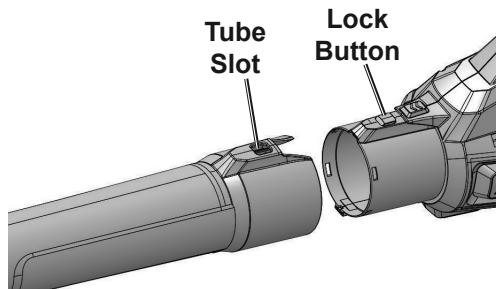
WARNING

TO PREVENT SERIOUS INJURY FROM ACCIDENTAL OPERATION:

Release Trigger of the appliance and remove battery pack before performing any procedure in this section.

Attaching Blower Tube

1. Slide Tube onto Housing until Lock Button snaps securely into slot.
2. 56994 only: Connect Concentrator Nozzle to Tube so that the latch engages securely with Nozzle.



ATLAS™

Operating Instructions



Read the **ENTIRE IMPORTANT SAFETY INFORMATION** section at the beginning of this manual including all text under subheadings therein before set up or use of this product.

WARNING

TO PREVENT SERIOUS INJURY FROM FLYING DEBRIS:

Wear long pants, long sleeves and protective footwear. Wear ANSI-approved safety goggles, dust mask, hearing protectors, and gloves.

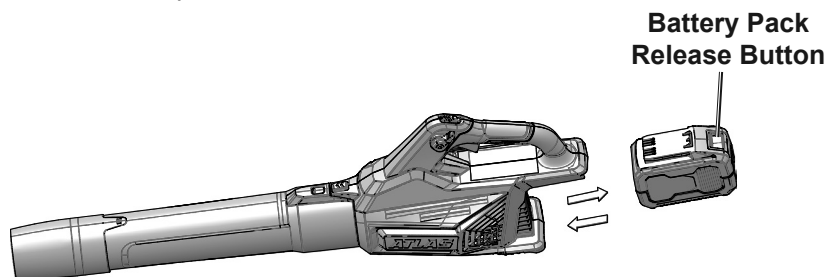
Tool Set Up

Battery Charging

Charge battery before using this tool. Follow instructions included with battery charger (sold separately).

Installing and Removing Battery Pack

1. Set Automatic Speed Control to off position before inserting battery.
2. To install: Slide Battery Pack into slot on back of Blower until it clicks into place.
3. To remove: Press the Battery Pack Release Button and pull Battery Pack out of slot.



Operation

WARNING

TO AVOID SERIOUS INJURY AND PROPERTY DAMAGE:

Inspect the area before using the Blower. Remove all hard objects from work area.

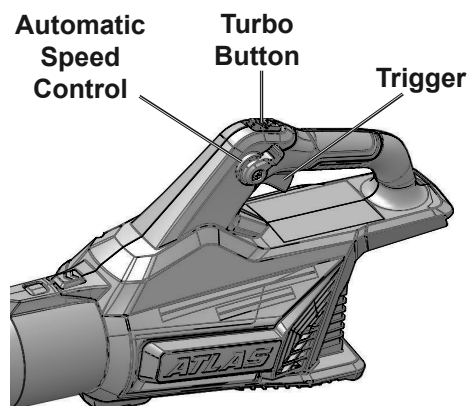
Do not blow debris in the direction of people, animals or property.

Use both hands when operating Blower.

1. Assemble Blower according to **Assembly Instructions on page 7.**

Note: Rake or sweep to loosen debris if necessary.

2. Hold Blower with both hands, with the Tube several inches off the ground.
3. Set Automatic Speed Control to off position.
4. Insert Battery Pack into slot on back of Blower.
5. Press and hold Trigger or rotate Automatic Speed Control downward to start the Blower.
6. Adjust the position of the Trigger or Automatic Speed Control to adjust the speed of the Blower.
7. Press and hold Turbo Button to increase air speed. Release button when done.
8. Sweep from side to side.
9. Release Trigger and rotate Automatic Speed Control upwards to turn Blower off.



10. When finished, to prevent accidents:
 - Remove battery pack.
 - Wipe external surfaces of the appliance with clean cloth. Store in an indoor dry area out of reach of children.

User-Maintenance and Storage



Procedures not specifically explained in this manual must be performed only by a qualified technician.

WARNING

TO PREVENT SERIOUS INJURY FROM ACCIDENTAL OPERATION:

Release Trigger of the appliance and remove battery pack before performing any procedure in this section.

TO PREVENT SERIOUS INJURY FROM APPLIANCE FAILURE:

Do not use damaged equipment. If abnormal noise or vibration occurs, have the problem corrected before further use.

Cleaning, Maintenance, and Lubrication

1. **BEFORE EACH USE**, inspect the general condition of the appliance. Check for:
 - loose hardware,
 - misalignment or binding of moving parts,
 - cracked or broken parts,
 - damaged electrical wiring, and
 - any other condition that may affect its safe operation.
2. **AFTER USE**, wipe external surfaces of the appliance with clean cloth. Store in an indoor dry area out of reach of children.
3. **Li-Ion BATTERY MUST BE RECYCLED OR DISPOSED OF PROPERLY.**
Do not short, incinerate or open battery.
4. All parts are permanently lubricated.
Do not use additional lubrication.

PLEASE READ THE FOLLOWING CAREFULLY

THE MANUFACTURER AND/OR DISTRIBUTOR HAS PROVIDED THE PARTS LIST AND ASSEMBLY DIAGRAM IN THIS MANUAL AS A REFERENCE TOOL ONLY. NEITHER THE MANUFACTURER OR DISTRIBUTOR MAKES ANY REPRESENTATION OR WARRANTY OF ANY KIND TO THE BUYER THAT HE OR SHE IS QUALIFIED TO MAKE ANY REPAIRS TO THE PRODUCT, OR THAT HE OR SHE IS QUALIFIED TO REPLACE ANY PARTS OF THE PRODUCT. IN FACT, THE MANUFACTURER AND/OR DISTRIBUTOR EXPRESSLY STATES THAT ALL REPAIRS AND PARTS REPLACEMENTS SHOULD BE UNDERTAKEN BY CERTIFIED AND LICENSED TECHNICIANS, AND NOT BY THE BUYER. THE BUYER ASSUMES ALL RISK AND LIABILITY ARISING OUT OF HIS OR HER REPAIRS TO THE ORIGINAL PRODUCT OR REPLACEMENT PARTS THERETO, OR ARISING OUT OF HIS OR HER INSTALLATION OF REPLACEMENT PARTS THERETO.

Record Product's Serial Number Here: _____

Note: If product has no serial number, record month and year of purchase instead.

56994 Parts List and Diagram

SAFETY

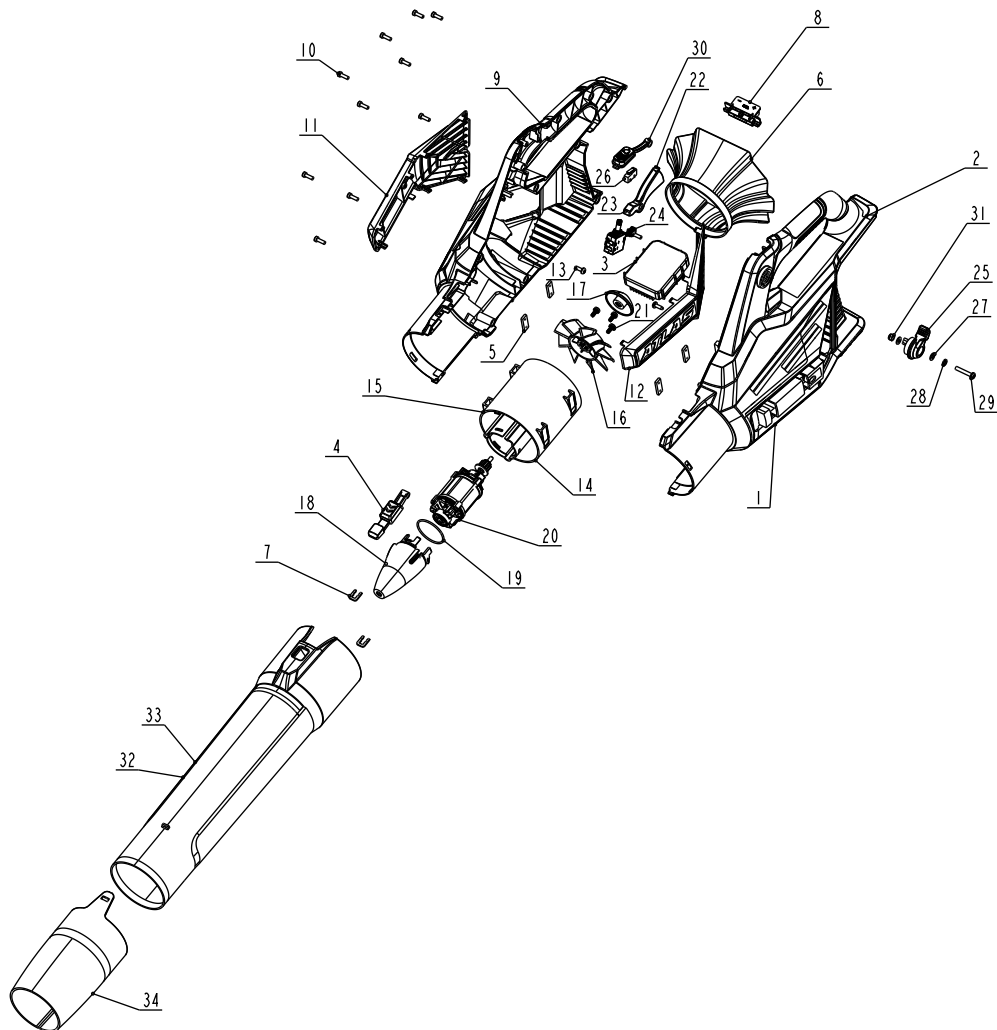
SETUP

OPERATION

MAINTENANCE

Part	Description	Qty
1	Housing Assembly	1
2	Left Housing	1
3	PCBA (Blower/Blower Vacuum)	1
4	Button	1
5	Shock Pad	4
6	Air Inlet Guide Pipe	1
7	U-Shaped Buckle	2
8	Male Terminal Assembly	1
9	Right Housing	1
10	Hexalobular Socket Pan Head Screw	10
11	Right Vent	1
12	Left Vent	1
13	Hexalobular Socket Pan Head Screw	2
14	Motor Assembly	1
15	Ducting	1
16	Fan Blade	1
17	Fan Blade Connector	1

Part	Description	Qty
18	Guide Cone	1
19	O-Ring	1
20	Motor	1
21	Cross Recessed Pan Head Screw	3
22	Switch Assembly	1
23	Switch Trigger	1
24	Speed Control Switch	1
25	Automatic Speed Control	1
26	Small Micro Switch	1
27	Plain Washer	2
28	Single Coil Spring Lock Washer	1
29	Pan Head Screw w/ Cross Recess	1
30	Turbo Button	1
31	Prevailing Torque-Type Nut	1
32	Blow Pipe Assembly	1
33	Blow Pipe	1
34	Blow Nozzle	1

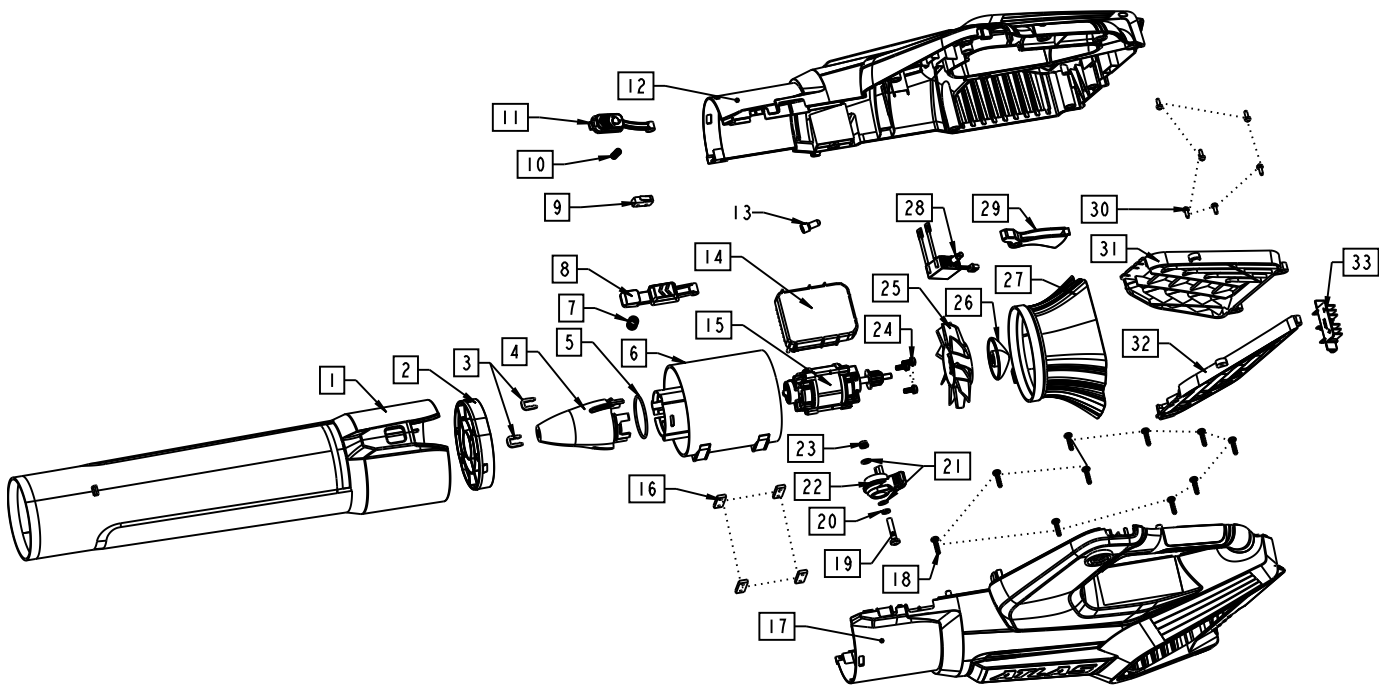


Note: Some parts are listed and shown for illustration purposes only, and are not available individually as replacement parts. Parts may not be interchangeable. Specify item number when ordering.

56999 Parts List and Diagram

Part	Description	Qty
1	Blow Pipe	1
2	Snap Ring	1
3	U-Shaped Buckle	2
4	Guide Cone	1
5	O-Ring	1
6	Ducting	1
7	Compression Spring	1
8	Blowerpipe Release Button	1
9	Small Micro Switch	1
10	Turbo Button Spring	1
11	Turbo Button	1
12	Right Housing	1
13	B Terminal	1
14	PCBA (Blower/Blower Vacuum)	1
15	Motor	1
16	Shock Pad	4
17	Left Housing	1

Part	Description	Qty
18	Hexalobular Socket Pan Head Screw	10
19	Pan Head Screw	1
20	Single Coil Spring Lock Washer	1
21	Plain Washer	2
22	Automatic Speed Control	1
23	Prevailing Torque-Type Nut	1
24	Cross Recessed Pan Head Screw	3
25	Fan Blade	1
26	Fan Blade Connector	1
27	Air Inlet Guide Pipe	1
28	Speed Control Switch	1
29	Trigger	1
30	Cross Recessed Pan Head Screw	6
31	Right Vent	1
32	Left Vent	1
33	Male Terminal Assembly	1



SAFETY

SETUP

OPERATION

MAINTENANCE

Note: Some parts are listed and shown for illustration purposes only, and are not available individually as replacement parts. Parts may not be interchangeable. Specify item number when ordering.

Limited 90 Day Warranty

Harbor Freight Tools Co. makes every effort to assure that its products meet high quality and durability standards, and warrants to the original purchaser that this product is free from defects in materials and workmanship for the period of 90 days from the date of purchase. This warranty does not apply to damage due directly or indirectly, to misuse, abuse, negligence or accidents, repairs or alterations outside our facilities, criminal activity, improper installation, normal wear and tear, or to lack of maintenance. We shall in no event be liable for death, injuries to persons or property, or for incidental, contingent, special or consequential damages arising from the use of our product. Some states do not allow the exclusion or limitation of incidental or consequential damages, so the above limitation of exclusion may not apply to you. THIS WARRANTY IS EXPRESSLY IN LIEU OF ALL OTHER WARRANTIES, EXPRESS OR IMPLIED, INCLUDING THE WARRANTIES OF MERCHANTABILITY AND FITNESS.

To take advantage of this warranty, the product or part must be returned to us with transportation charges prepaid. Proof of purchase date and an explanation of the complaint must accompany the merchandise. If our inspection verifies the defect, we will either repair or replace the product at our election or we may elect to refund the purchase price if we cannot readily and quickly provide you with a replacement. We will return repaired products at our expense, but if we determine there is no defect, or that the defect resulted from causes not within the scope of our warranty, then you must bear the cost of returning the product.

This warranty gives you specific legal rights and you may also have other rights which vary from state to state.

ATLAS™