

Owner's Manual & Safety Instructions

Save This Manual Keep this manual for the safety warnings and precautions, assembly, operating, inspection, maintenance and cleaning procedures. Write the product's serial number in the back of the manual near the assembly diagram (or month and year of purchase if product has no number). Keep this manual and the receipt in a safe and dry place for future reference.

20c

ROADSHOCK[®] LED

6" LED LIGHT



Spot
57189



Flood
57190

Visit our website at: <http://www.harborfreight.com>
Email our technical support at: productsupport@harborfreight.com

When unpacking, make sure that the product is intact and undamaged. If any parts are missing or broken, please call 1-888-866-5797 as soon as possible.

Copyright© 2019 by Harbor Freight Tools®. All rights reserved.

No portion of this manual or any artwork contained herein may be reproduced in any shape or form without the express written consent of Harbor Freight Tools. Diagrams within this manual may not be drawn proportionally. Due to continuing improvements, actual product may differ slightly from the product described herein. Tools required for assembly and service may not be included.

⚠WARNING

Read this material before using this product.
Failure to do so can result in serious injury.
SAVE THIS MANUAL.

Specifications

ITEM	57189	57190
Voltage	12 - 24V	
Number of Diodes	6	
Wattage	12W	
Beam Style	Spot	Flood

Important Safety Information

Installation Precautions

1. Install on vehicles that will not be used on public roads only.
2. Install only according to these instructions. Improper installation can create hazards.
3. Wear ANSI-approved safety goggles and heavy-duty work gloves during Installation.
4. Keep installation area clean and well lit.
5. Keep bystanders out of the area during installation.
6. Do not install when tired or when under the influence of drugs or medication.
7. Read all instructions and safety precautions in the vehicle's manual onto which the Flood Light will be installed.
8. Install on negative ground 12/24 VDC systems only.
9. Have a qualified technician install the Flood Light.
10. Keep wiring away from hot surfaces and moving parts.
11. Do not install Flood Light where it could restrict sufficient airflow to the radiator or obstruct the headlights and/or turn signals of vehicle.
12. Do not look directly into light; doing so can cause eye damage.

Use Precautions

1. This product is not a toy. Do not allow children to play with this item.
2. Use as intended only. Not for marine use. Do not mount underwater.
3. Inspect before every use; do not use if parts are loose or damaged.
4. Do not place light near anything flammable after being used.
5. To prevent damage, turn light off before starting or turning off the vehicle.
6. This product may not meet D.O.T. requirements for use on public roads or highways. Follow local, state, and federal regulations.
7. Turn off light and allow to cool completely before handling.
8. Maintain product labels and nameplates. These carry important safety information. If unreadable or missing, contact Harbor Freight Tools for a replacement.

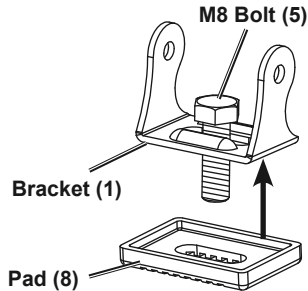
Installation Instructions



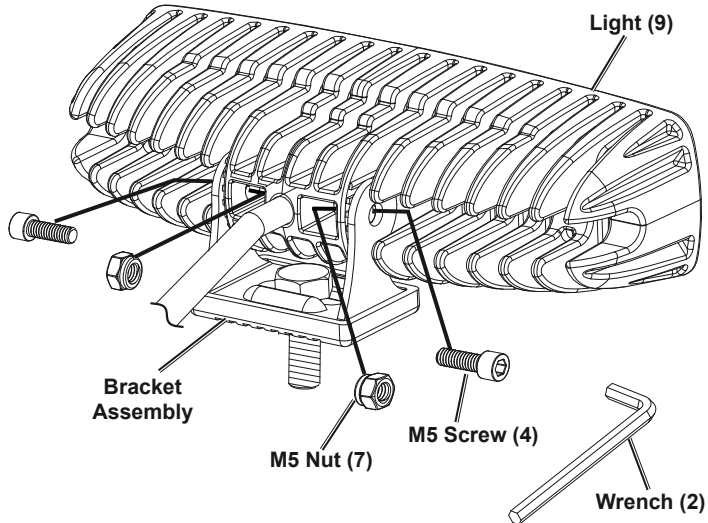
Read the **ENTIRE IMPORTANT SAFETY INFORMATION** section at the beginning of this document including all text under subheadings therein before set up or use of this product.

Note: Use compatible Wiring Harness (64330 sold separately).

1. Insert the M8 Bolt (5) through the Bracket (1) and Pad (8), seating the Bolt in Bracket securely.

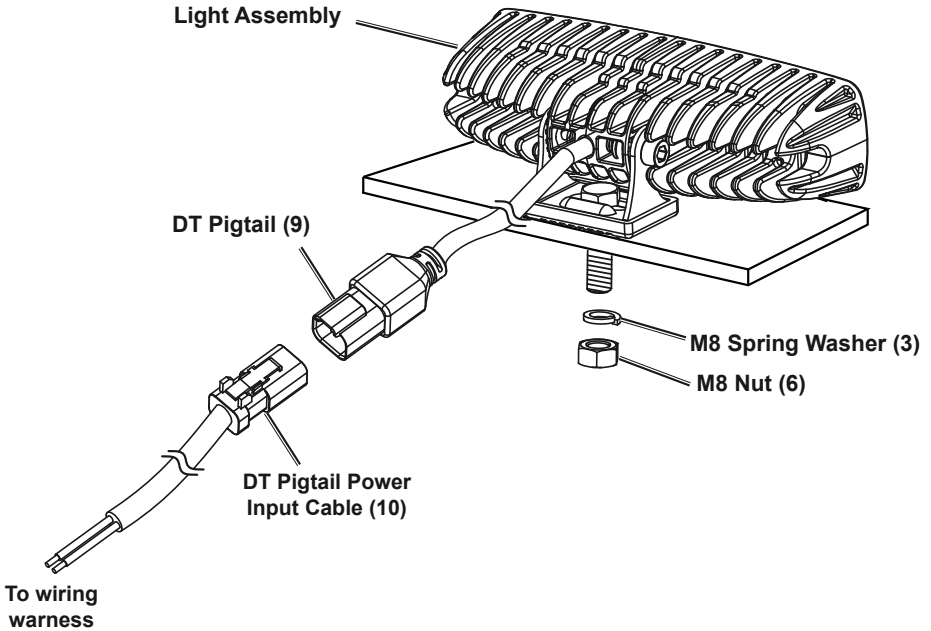


2. Attach the Bracket Assembly to the Light using two M5 Nuts (7) and M5 Screws (4). Secure using included Wrench (2).



Caution! Mount in a flat, stable location with adequate clearance. If drilling is required, beware of any hidden electrical lines or cables. Do not damage or weaken the structural integrity of the vehicle.

3. Attach the Light Assembly using one M8 Spring Washer (3) and M8 Nut (6). Tighten Nut to Bolt securely.



4. Connect the DT Pigtail Power Input Cable (10) to your wiring harness. Wire according to your wiring harness manual's instructions.

Maintenance



Read the **ENTIRE IMPORTANT SAFETY INFORMATION** section at the beginning of this document including all text under subheadings therein before set up or use of this product.

⚠️ WARNING


TO PREVENT SERIOUS INJURY OR DEATH FROM DRIVING HAZARDS:

Test operation of all light before every use. Troubleshoot and repair wiring properly before using. Do not use while trailer light operation does not match vehicle light operation, if any light does not light up, or if light flickers. Park on level area away from traffic and set vehicle parking brake/chock tires before diagnosing or servicing light.

Cleaning, Maintenance, and Lubrication

1. **BEFORE EACH USE**, inspect the general condition of the tool. Check for:
 - loose hardware,
 - misalignment or binding of moving parts,
 - cracked or broken parts,
 - damaged electrical wiring, and
 - any other condition that may affect its safe operation.
2. **AFTER USE**, wipe external surfaces of the tool with clean cloth.

Troubleshooting

Problem	Possible Causes
Light does not light up.	<ol style="list-style-type: none">1. Power switch is not on.2. Wiring connections are loose.3. Wiring is damaged.4. Wires are not connected according to the correct polarity.
	<p>Follow all safety precautions whenever diagnosing or servicing the light. Park on level area away from traffic and set vehicle parking brake/chock tires.</p>

PLEASE READ THE FOLLOWING CAREFULLY

THE MANUFACTURER AND/OR DISTRIBUTOR HAS PROVIDED THE PARTS LIST AND INSTALLATION DIAGRAM IN THIS DOCUMENT AS A REFERENCE TOOL ONLY. NEITHER THE MANUFACTURER OR DISTRIBUTOR MAKES ANY REPRESENTATION OR WARRANTY OF ANY KIND TO THE BUYER THAT HE OR SHE IS QUALIFIED TO MAKE ANY REPAIRS TO THE PRODUCT, OR THAT HE OR SHE IS QUALIFIED TO REPLACE ANY PARTS OF THE PRODUCT. IN FACT, THE MANUFACTURER AND/OR DISTRIBUTOR EXPRESSLY STATES THAT ALL REPAIRS AND PARTS REPLACEMENTS SHOULD BE UNDERTAKEN BY CERTIFIED AND LICENSED TECHNICIANS, AND NOT BY THE BUYER. THE BUYER ASSUMES ALL RISK AND LIABILITY ARISING OUT OF HIS OR HER REPAIRS TO THE ORIGINAL PRODUCT OR REPLACEMENT PARTS THERETO, OR ARISING OUT OF HIS OR HER INSTALLATION OF REPLACEMENT PARTS THERETO.

Record Serial Number Here:

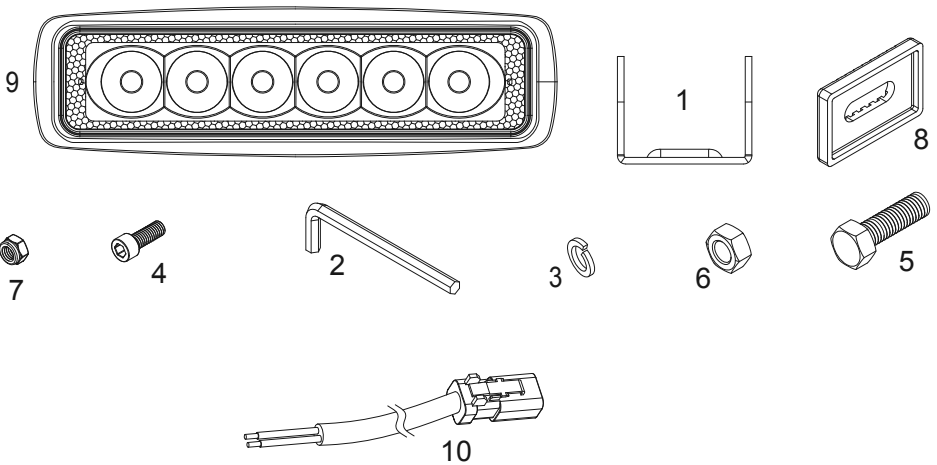
Note: If product has no serial number, record month and year of purchase instead.

Note: Some parts are listed and shown for illustration purposes only, and are not available individually as replacement parts. Parts may not be interchangeable. Specify item number when ordering.

Parts List and Diagram

Part	Description	Qty.
1	Bracket	1
2	Wrench	1
3	M8 Spring Washer	1
4	M5 x 14 Screw	2
5	M8 x 25 Bolt	1
6	M8 Nut	1

Part	Description	Qty.
7	M5 Nut	2
8	NBR Pad	1
9	Light (DT Pigtail attached to back of Light)	1
10	DT Pigtail Power Input Cable	1



Limited 90 Day Warranty

Harbor Freight Tools Co. makes every effort to assure that its products meet high quality and durability standards, and warrants to the original purchaser that this product is free from defects in materials and workmanship for the period of 90 days from the date of purchase. This warranty does not apply to damage due directly or indirectly, to misuse, abuse, negligence or accidents, repairs or alterations outside our facilities, criminal activity, improper installation, normal wear and tear, or to lack of maintenance. We shall in no event be liable for death, injuries to persons or property, or for incidental, contingent, special or consequential damages arising from the use of our product. Some states do not allow the exclusion or limitation of incidental or consequential damages, so the above limitation of exclusion may not apply to you. THIS WARRANTY IS EXPRESSLY IN LIEU OF ALL OTHER WARRANTIES, EXPRESS OR IMPLIED, INCLUDING THE WARRANTIES OF MERCHANTABILITY AND FITNESS.

To take advantage of this warranty, the product or part must be returned to us with transportation charges prepaid. Proof of purchase date and an explanation of the complaint must accompany the merchandise. If our inspection verifies the defect, we will either repair or replace the product at our election or we may elect to refund the purchase price if we cannot readily and quickly provide you with a replacement. We will return repaired products at our expense, but if we determine there is no defect, or that the defect resulted from causes not within the scope of our warranty, then you must bear the cost of returning the product.

This warranty gives you specific legal rights and you may also have other rights which vary from state to state.

ROADSHOCK[®]
LED