

## IMPORTANT SAFETY INSTRUCTIONS

- WARNING! Risk of Fire or Electric Shock:** LED Retrofit Kit installation requires knowledge of luminaires electrical systems. If not qualified, do not attempt installation. Contact a qualified electrician.
- WARNING! Risk of Fire or Electric Shock:** Install this kit only in luminaires that have the construction features and dimensions shown in the photographs and/or drawings and where the input rating of the retrofit kit does not exceed the input rating of the luminaire.
- WARNING!** To prevent wiring damage or abrasion, do not expose wiring to edges of sheet metal or other sharp objects.
- Do not disconnect existing wires from terminals to make new connections. Only cut existing lampholder leads away from the lampholder and make new electrical connections to lampholder lead wires by employing applicable connectors.
- Suitable for wet locations.
- WARNING! Risk of Electric Fire or Shock:** Do not alter, relocate, or remove wiring, lampholders, power supply, or any other electrical component. THE RETROFIT KIT IS ACCEPTED AS A COMPONENT OF A LUMINAIRE WHERE THE SUITABILITY OF THE COMBINATION SHALL BE DETERMINED BY AUTHORITIES HAVING JURISDICTION. THIS DEVICE IS NOT INTENDED FOR USE WITH EMERGENCY EXITS.

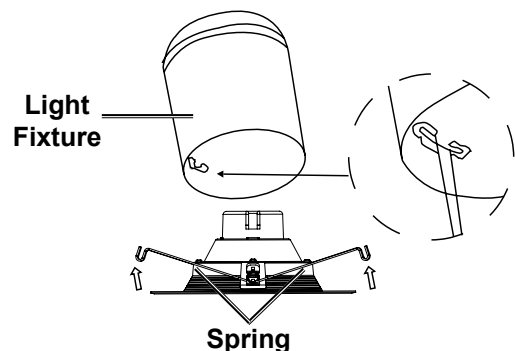
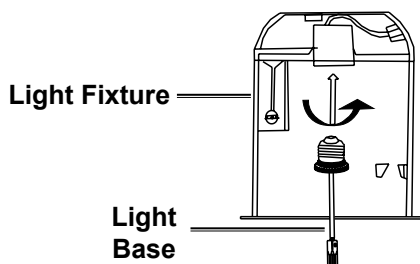
## SPECIFICATIONS

Electrical Rating	120VAC / 60Hz / 85mA
-------------------	----------------------

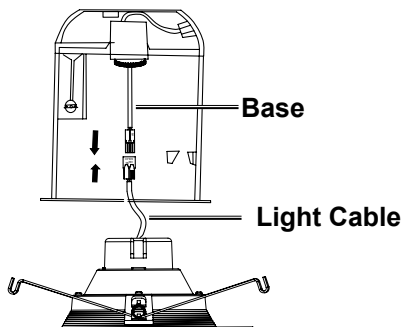
## INSTALLATION INSTRUCTIONS

- Make sure power is turned off before installation. If necessary, remove the existing bulb and existing trim.
- Adjust the springs on the Light so they fit securely into the latches within the light fixture.

- Thread Light Base into recessed light fixture. See below.



- Connect the cable of the Base to the Light cable.



- Push Light up into the recessed light fixture. Make sure the springs pull the LED trim up into the fixture. Continue to push the LED trim until its outer edge is flush against the ceiling surface.

