

Owner's Manual & Safety Instructions

Save This Manual Keep this manual for the safety warnings and precautions, assembly, operating, inspection, maintenance and cleaning procedures. Write the product's serial number in the back of the manual (or month and year of purchase if product has no number). Keep this manual and the receipt in a safe and dry place for future reference.

23g

PREDATOR®

2 HP 52cc Gasoline AUGER POWERHEAD WITH 6" DIAMETER BIT



57341

⚠ DANGER

Using an engine indoors
CAN KILL YOU IN MINUTES.

Engine exhaust contains carbon monoxide.
This is a poison you cannot see or smell.



NEVER use inside
a home or garage,
EVEN IF doors and
windows are open.

Only use **OUTSIDE**
and far away from
windows, doors,
and vents.

Visit our website at: <http://www.harborfreight.com>
Email our technical support at: productsupport@harborfreight.com
Email our engine support at: predator@harborfreight.com

When unpacking, make sure that the product is intact and undamaged. If any parts are missing or broken, please call 1-888-866-5797 as soon as possible.

⚠ WARNING

Read this material before using this product.
Failure to do so can result in serious injury.
SAVE THIS MANUAL.

Copyright© 2023 by Harbor Freight Tools®. All rights reserved.
No portion of this manual or any artwork contained herein may be reproduced in any shape or form without the express written consent of Harbor Freight Tools. Diagrams within this manual may not be drawn proportionally. Due to continuing improvements, actual product may differ slightly from the product described herein.
Tools required for assembly and service may not be included.

Table of Contents






Specifications	2	Maintenance	12
Safety	3	Troubleshooting	16
Setup	7	Warranties	22
Operation	9	Parts Lists and Diagrams	20

PREDATOR®




Specifications




Maximum Bit Size		6" Diameter x 31-1/2" Long
Drive Shaft		7/8" Diameter x 1-1/2" Long
Accessories		Spark Plug Wrench, Screwdriver, 2 Hex Keys
Displacement		52cc
Engine Type		Vertical Single Cylinder 2-stroke
Cooling System		Forced air cooled
Fuel	Type	87+ octane stabilizer-treated unleaded gasoline mixed with 2-cycle oil (see below)
	Capacity	0.22 Gallon
Oil	Type	2-cycle oil (designed specifically for mixing with gasoline)
	Ratio	50:1 gasoline-to-oil ratio 2.5 fl-oz oil per gallon of gasoline
Run Time @ 50% Load with full tank		1 hr.
Sound Level at 3 feet		98 dBA
Bore x Stroke		44 mm x 34 mm
Compression Ratio		7:1
Rotation viewed from PTO (power takeoff - the output shaft)		Counter Clockwise
Spark Plug	Type	BOSCH® L8RTF Champion® RCJ7Y Torch® L7RTC
	Gap	0.028"
Engine Idle Speed	Idle	2600 RPM - 3400 RPM

The emissions control system for this Engine is warranted for standards set by the U.S. Environmental Protection Agency. For warranty information, refer to the last pages of this manual.

WARNING SYMBOLS AND DEFINITIONS	
	This is the safety alert symbol. It is used to alert you to potential personal injury hazards. Obey all safety messages that follow this symbol to avoid possible injury or death.
	Indicates a hazardous situation which, if not avoided, will result in death or serious injury.
	Indicates a hazardous situation which, if not avoided, could result in death or serious injury.
	Indicates a hazardous situation which, if not avoided, could result in minor or moderate injury.
	Addresses practices not related to personal injury.

Symbol Definitions

Symbol	Property or Statement
RPM	Revolutions Per Minute
HP	Horsepower
	WARNING marking concerning Risk of Eye Injury. Wear ANSI-approved safety goggles with side shields.
	Read the manual before set-up and/or use.
	WARNING marking concerning Risk of Hearing Loss. Wear hearing protection.

Symbol	Property or Statement
	WARNING marking concerning Risk of Respiratory Injury. Operate engine OUTSIDE and far away from windows, doors, and vents.
	WARNING marking concerning Risk of Fire while handling fuel. Do not smoke while handling fuel.
	WARNING marking concerning Risk of Fire. Do not refuel while operating. Keep flammable objects away from engine.

IMPORTANT SAFETY INSTRUCTIONS



WARNING! Read all instructions.

Failure to follow all instructions listed below may result in fire, serious injury and/or DEATH.

The warnings and precautions discussed in this manual cannot cover all possible conditions and situations that may occur. It must be understood by the operator that common sense and caution are factors which cannot be built into this product, but must be supplied by the operator.

SAVE THESE INSTRUCTIONS

Set up Precautions

- Gasoline fuel and fumes are flammable, and potentially explosive. Use proper fuel storage and handling procedures. Do not store fuel or other flammable materials nearby.
- Have multiple ABC class fire extinguishers nearby.
- Operation of this Auger may create sparks that can start fires around dry vegetation. A spark arrestor may be required. The operator should contact local fire agencies for laws or regulations relating to fire prevention requirements.
- Set up and use only on a flat, level, well-ventilated surface.
- Wear ANSI-approved safety goggles, heavy-duty work gloves, and dust mask/respirator during set up.
- Use only lubricants and fuel recommended in the Specifications chart of this manual.


Operating Precautions

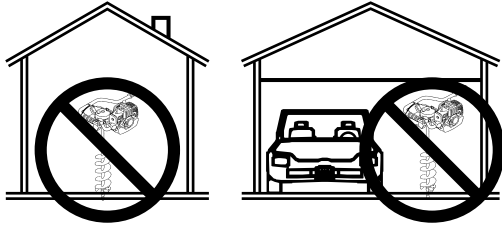
SAFETY

1. **Buried utility lines may be unmarked; contact utility companies before drilling.** Contacting utility lines may cause severe personal injury or death.
2. **Check for landscape fabric before drilling.** Landscape fabric may get pulled into the Bit and also pull the operator into the Bit. Before drilling, cut a hole in the landscape fabric sufficiently larger than the diameter of the Auger to prevent contact or entanglement with the fabric.
3. **Keep everyone other than the operator at least 10 feet from the Auger during operation. People using hand tools should not move or remove soil-pile while the Auger is operating.**

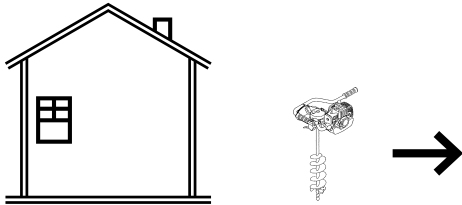
SETUP

4. To prevent severe personal injury or dismemberment from rotating Bit: Stand on flat, level, solid surface and brace against torque during use. Keep hands and feet away from Bit and hole when Engine is running.

5.  **CARBON MONOXIDE HAZARD**
Using an engine indoors CAN KILL YOU IN MINUTES.
Engine exhaust contains carbon monoxide. This is a poison you cannot see or smell.



NEVER use inside a home, basement, barn or garage, EVEN IF doors and windows are open.



Only use OUTSIDE and far away from windows, doors, and vents.

6. Do not lock trigger on. Never disable safety switches or components.
7. **Maintain a firm grip on the Auger with both hands and be aware of the strong start-up torque of the tool.**
8. Disconnect and insulate spark plug wire before maintenance and/or changing bits.
9. Do not carry between holes with Engine running.
10. Carry by handle only; not by Bit.
11. **Keep your thumb near the Power Switch in the event the Auger must be turned off immediately.**
12. **Do not use the Auger if the Bit is dull, bent, or damaged.**
13. **Drill with the Engine running at full speed.** Fully squeeze the Throttle to maintain a steady drilling speed.
14. **When shutting off the Engine, make sure the Auger has stopped before setting the tool down.**
15. Keep children away from the Auger, especially while it is operating. Do not allow children to operate Auger.
16. Fire Hazard! Do not fill fuel tank while engine is running. Do not operate if gasoline has been spilled. Clean spilled gasoline before starting engine. Do not operate near pilot light or open flame.
17. Do not touch engine during use. Let engine cool down after use.
18. Parts, especially exhaust system components, get very hot during use. Stay clear of hot parts. Keep the muffler away from flammable materials during and after use to avoid fire.
19. Do not use to drill holes in ice or other materials other than ground.
20. Only use a suitable means of transport and lifting devices with sufficient weight bearing capacity when transporting the Auger.
21. Secure the Auger on transport vehicles to prevent it from rolling, slipping, and tilting.
22. Industrial applications must follow OSHA requirements.
23. Do not leave the Auger unattended when it is running. Turn off the Auger (and remove safety keys, if available) before leaving the work area.
24. **The Auger can produce high noise levels.** Prolonged exposure to noise levels above 85 dBA is hazardous to hearing. Wear ear protection when operating the Auger or when working nearby while it is operating.
25. Wear ANSI-approved safety glasses, hearing protection, and NIOSH-approved dust mask/respirator under a full face shield along with steel-toed work boots during use.
26. People with pacemakers should consult their physician(s) before use. Electromagnetic fields in close proximity to a heart pacemaker could cause pacemaker interference or pacemaker failure. Caution is necessary when near the engine's magneto or recoil starter.
27. Use only accessories that are recommended by Harbor Freight Tools for your model. Accessories that may be suitable for one Auger may become hazardous when used on another Auger.
28. Do not operate in explosive atmospheres, such as in the presence of flammable liquids, gases, or dust. Gasoline-powered engines may ignite the dust or fumes.

OPERATION

MAINTENANCE

Operating Precautions (cont.)

29. Stay alert, watch what you are doing and use common sense when operating this Auger. Do not use while tired or under the influence of drugs, alcohol or medication.
30. Do not overreach. Keep proper footing and balance at all times. This enables better control of the Auger in unexpected situations.
31. Use this Auger with both hands only. Using Auger with only one hand can easily result in loss of control.
32. Dress properly. Do not wear loose clothing or jewelry. Keep hair, clothing and gloves away from moving parts. Loose clothes, jewelry or long hair can be caught in moving parts.
33. Keep the Auger and surrounding area clean at all times.
34. Do not smoke, or allow sparks, flames, or other sources of ignition around the Auger, especially when refuelling.
35. Use the Auger, accessories, etc., in accordance with these instructions and in the manner intended for the particular type of Auger, taking into account the working conditions and the work to be performed. Use of the Auger for operations different from those intended could result in a hazardous situation.
36. Do not operate the Auger with known leaks in the engine's fuel system.
37. When spills of fuel or oil occur, they must be cleaned up immediately. Dispose of fluids and cleaning materials as per any local, state, or federal codes and regulations. Store oil rags in a bottom-ventilated, covered, metal container.
38. Keep hands and feet away from moving parts. Do not reach over or across Auger while operating.
39. Before use, check for misalignment or binding of moving parts, breakage of parts, and any other condition that may affect the Auger's operation. **If damaged, have the Auger serviced before using.** Many accidents are caused by poorly maintained Auger.
40. Use the correct Auger for the application. Do not modify the Auger and do not use the Auger for a purpose for which it is not intended.

Vibration Hazard

This tool vibrates during use. Repeated or long-term exposure to vibration may cause temporary or permanent physical injury, particularly to the hands, arms and shoulders. To reduce the risk of vibration-related injury:

1. Anyone using vibrating tools regularly or for an extended period should first be examined by a doctor and then have regular medical check-ups to ensure medical problems are not being caused or worsened from use. Pregnant women or people who have impaired blood circulation to the hand, past hand injuries, nervous system disorders, diabetes, or Raynaud's Disease should not use this tool. If you feel any symptoms related to vibration (such as tingling, numbness, and white or blue fingers), seek medical advice as soon as possible.
2. Do not smoke during use. Nicotine reduces the blood supply to the hands and fingers, increasing the risk of vibration-related injury.
3. Use tools with the lowest vibration when there is a choice between different processes.
4. Include vibration-free periods each day of work.
5. Grip tool as lightly as possible (while still keeping safe control of it). Let the tool do the work.
6. To reduce vibration, maintain the tool as explained in this manual. If any abnormal vibration occurs, stop use immediately.

Service Precautions

SAFETY

- Before service, maintenance, or cleaning:**
 - Turn the engine switch to its “OFF” position.
 - Allow the engine to completely cool.
 - Then, remove the spark plug cap from the spark plug.
- Keep all safety guards in place and in proper working order. Safety guards include muffler, air cleaner, mechanical guards, and heat shields, among other guards.
- Do not alter or adjust any part of the Auger or its engine that is sealed by the manufacturer or distributor. Only a qualified service technician may adjust parts that may increase or decrease governed engine speed, including adjusting the carburetor.**
- Wear ANSI-approved safety goggles, heavy-duty work gloves, and dust mask/respirator during service.
- Maintain labels and nameplates on the Auger. These carry important information. If unreadable or missing, contact Harbor Freight Tools for a replacement.
- Have the Auger serviced by a qualified repair person using only identical replacement parts. This will ensure that the safety of the Auger is maintained. Do not attempt any service or maintenance procedures not explained in this manual or any procedures that you are uncertain about your ability to perform safely or correctly.
- Store Auger out of the reach of children.
- Follow scheduled engine and Auger maintenance.
- Never store fuel or other flammable materials near the engine.

Refueling:

- Do not refill the fuel tank while the engine is running or hot.
- Do not smoke, or allow sparks, flames, or other sources of ignition around the Auger, especially when refuelling.
- Do not fill fuel tank to the top.** Leave a little room for the fuel to expand as needed.
- Refuel in a well-ventilated area only.
- Wipe up any spilled fuel and allow excess to evaporate before starting engine.
To prevent FIRE, do not start the engine while the smell of fuel hangs in the air.



SAVE THESE INSTRUCTIONS.

SETUP

OPERATION

MAINTENANCE

PREDATOR®

Set Up



Read the **ENTIRE IMPORTANT SAFETY INFORMATION** section at the beginning of this manual including all text under subheadings therein before set up or use of this product.

WARNING

TO PREVENT SERIOUS INJURY:

Operate only with proper spark arrestor installed.



Operation of this Auger may create sparks that can start fires around dry vegetation. A spark arrestor may be required. The operator should contact local fire agencies for laws or regulations relating to fire prevention requirements.

At high altitudes, the Engine's carburetor, governor (if so equipped), and any other parts that control the fuel-air ratio will need to be adjusted by a qualified mechanic to allow efficient high-altitude use, prevent damage to the Engine, and prevent hazardous malfunction.

The emission control system for this Engine is warranted for standards set by the U.S. Environmental Protection Agency. For warranty information, refer to the last pages of this manual.

IMPORTANT! Your Warranty is voided if either:

1. **You operate the Auger without the proper 50:1 fuel/oil mix in its Fuel Tank.** Do not run the Engine with an improper fuel mix, low or no fuel mix. Running the Engine with an improper fuel mix, low or no fuel mix, will permanently damage the unit.
2. **You operate the Auger without adding fuel stabilizer to the gasoline.** Do not run the Engine without treating the gasoline with fuel stabilizer. Follow fuel stabilizer manufacturer's recommendations for use. Running the Engine without treating the gasoline with fuel stabilizer will permanently damage the unit.

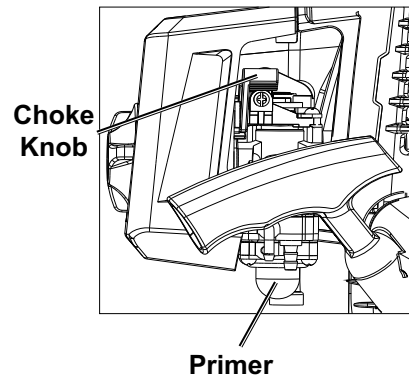
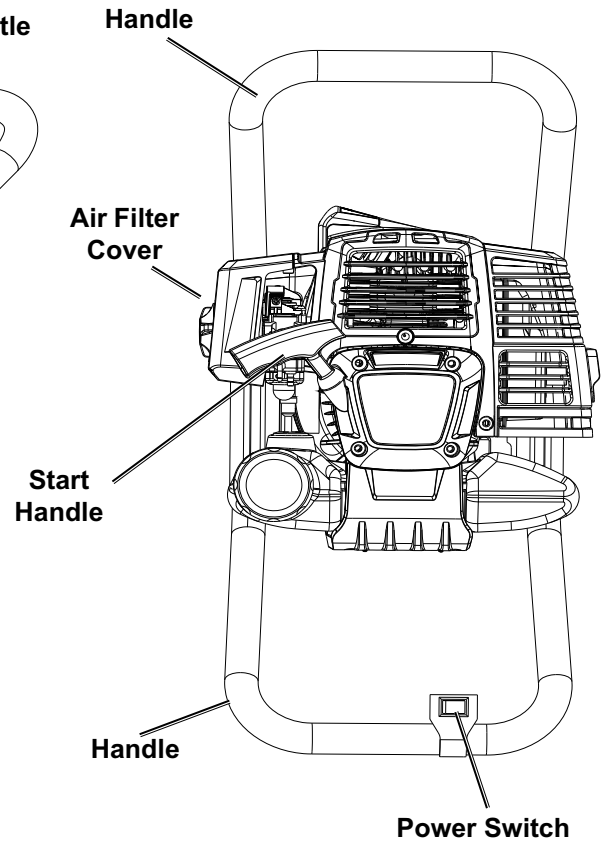
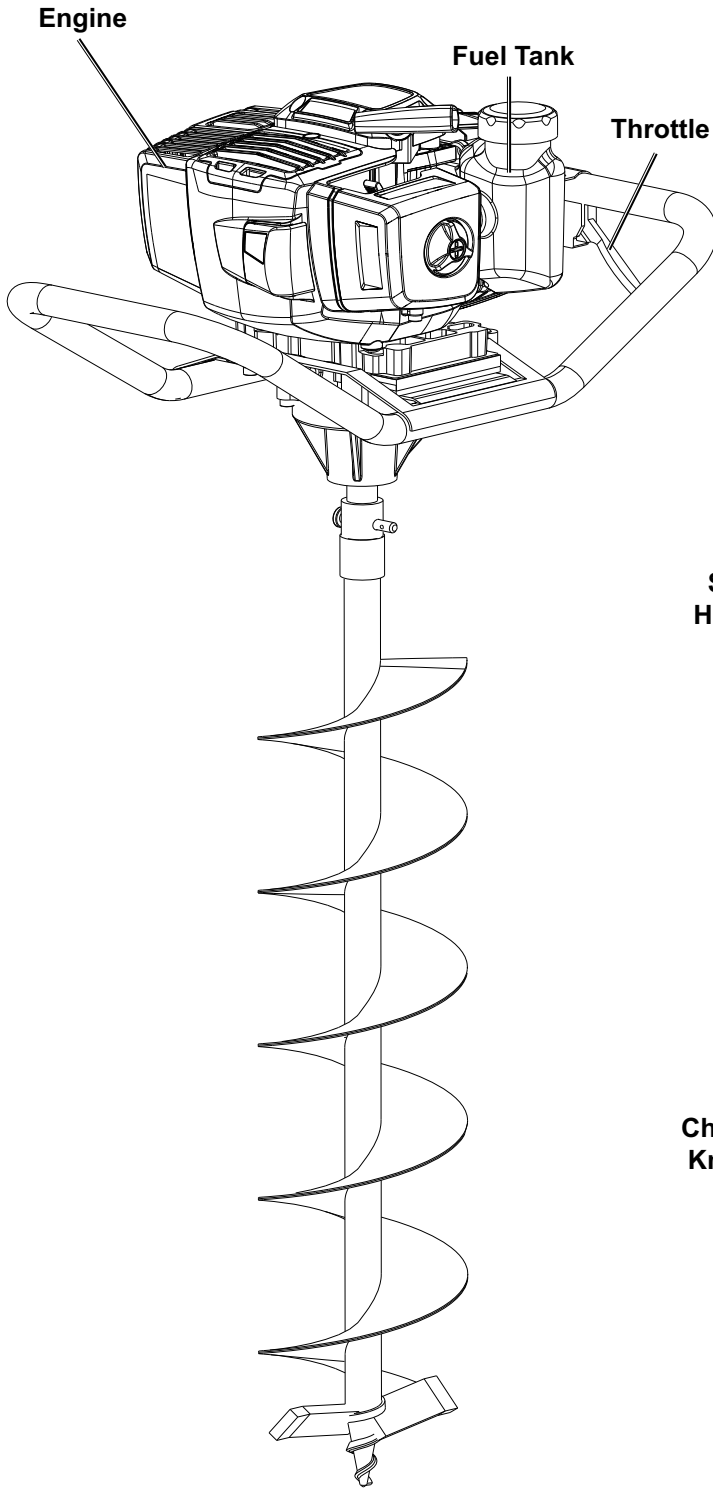
Components and Controls

SAFETY

SETUP

OPERATION

MAINTENANCE



Operation



Read the **ENTIRE IMPORTANT SAFETY INFORMATION** section at the beginning of this manual including all text under subheadings therein before set up or use of this product.

Pre-Start Checks

Inspect engine and Auger looking for damaged, loose, and missing parts before set up and starting. If any problems are found, do not use Auger until fixed properly.

Checking and Filling Fuel



WARNING! TO PREVENT SERIOUS INJURY FROM FIRE:

Fill the fuel tank in a well-ventilated area away from ignition sources. If the engine is hot from use, shut the engine off and wait for it to cool before adding fuel. Do not smoke.

1. Clean the Fuel Cap and the area around it.
2. Unscrew and remove the Fuel Cap.
3. Remove the Strainer and remove any dirt and debris. Then replace the Strainer.

Note: Do not use gasoline containing more than 10% ethanol (E10). Do not use E85 ethanol. Add fuel stabilizer to the gasoline or the Warranty is VOID.

Note: Do not use gasoline that has been stored in a metal fuel container or a dirty fuel container. It can cause particles to enter the carburetor, affecting engine performance and/or causing damage.

IMPORTANT: Your Warranty is VOID if the Engine's Fuel Tank is not filled with the proper mixture (50:1) of unleaded gasoline and 2-cycle oil before each use. Before each use, check the fuel level. Do not run the Engine with an improper unleaded gasoline/2-cycle oil mixture. Running the Engine with an improper mixture WILL permanently damage the Engine.

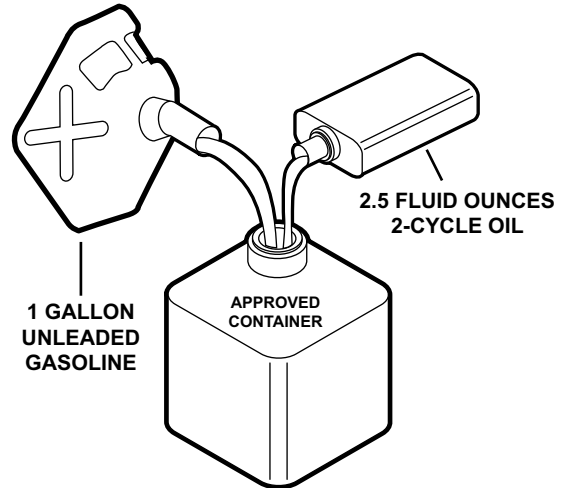


Figure A: Fuel-Oil Mixture

4. To obtain the proper gasoline and 2-cycle oil mixture, mix 2.5 fluid ounces of 2-cycle oil with 1 gallon of unleaded gasoline into an approved container. Then gently agitate the container to thoroughly mix the gasoline/2-cycle oil.
5. If needed, fill the Fuel Tank to about 1 inch under the fill neck of the Fuel Tank with the pre-mixed unleaded gasoline/2-cycle oil mixture.
6. Replace the Fuel Cap.
7. Wipe up any spilled fuel and allow excess to evaporate before starting engine. To prevent FIRE, do not start the engine while the smell of fuel hangs in the air.

Installing Bit

WARNING! TO PREVENT SERIOUS INJURY:

Turn Engine OFF before installing bit.

1. Attach the Bit to the Powerhead by pushing the Bit down onto the Drilling Spindle on the bottom of the Auger.

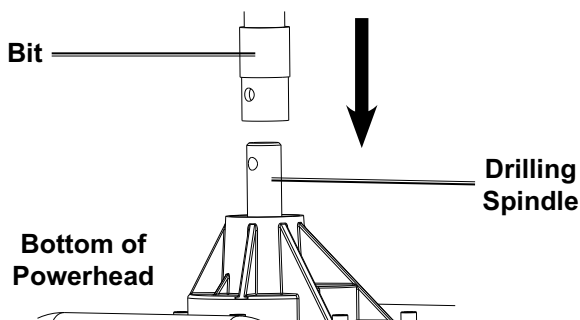


Figure B: Attaching Bit

2. Secure the Bit in place using the Pin and R-Pin.

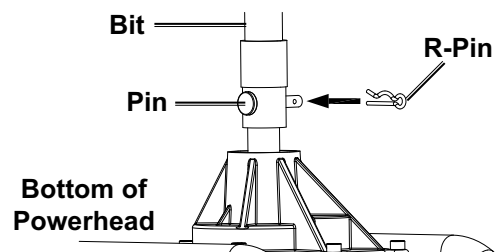


Figure C: Securing Bit

Starting the Engine

Before Starting the Engine



Before starting the engine:

- a. Follow the Pre-start Checks to prepare the Auger.
- b. Inspect the Auger and engine.
- c. Fill the engine with the proper amount and type of unleaded gasoline and 2-cycle oil mixture.
- d. Check the work area for utility lines and landscaping fabric.
Do not use near utility lines, and cut landscaping fabric clear before drilling.
- e. Do not use to drill holes in ice or other materials other than ground.
- f. Read the section that follows.

1. Place the Auger on its side with its Bit resting on the ground that is to be drilled.

WARNING! TO PREVENT SERIOUS INJURY: Make sure that no debris, clothing, or other objects are near the Bit.

Keep all bystanders at least 10 feet away.

2. Press the Primer three or four times.

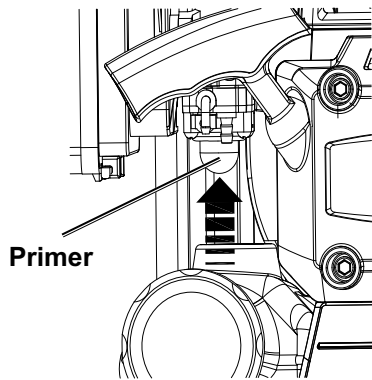


Figure D: Primer Location

3. Set the Choke:
START if the Engine is cold.
RUN if the Engine is warm.

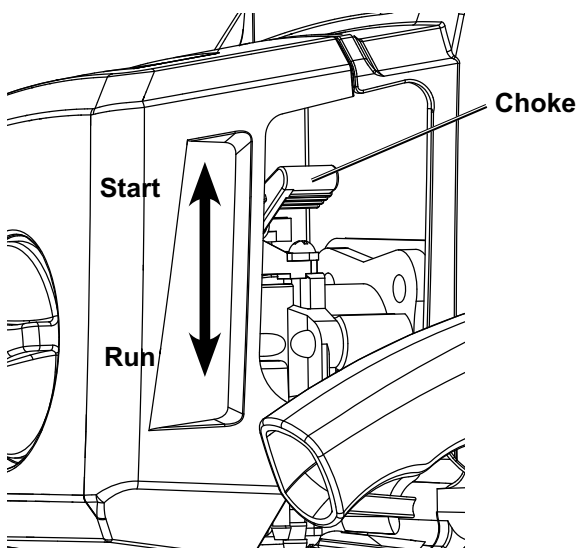


Figure E: Choke Operation

4. Move the Power Switch to the ON position. Squeeze and release the Throttle.

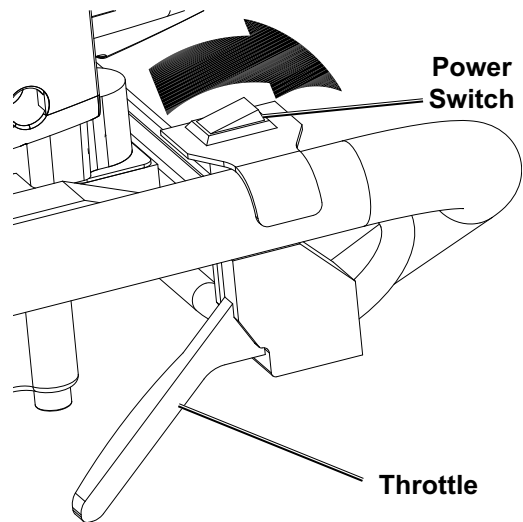


Figure F: Power Switch and Throttle

5. Grip the Frame firmly with your left hand. Keep all body parts well away from the Bit. Then, with your right hand, grip the Starter Handle of the Engine gently until resistance is felt. Allow Cable to retract fully and then pull it quickly. Repeat until the engine begins to sputter.

Note: Do not let the Starter Handle snap back against the engine.

Hold it as it recoils so it doesn't hit the engine.

WARNING! TO PREVENT SERIOUS INJURY: The Bit should NOT turn at idle.

If it is turning at idle, immediately discontinue using the Auger and contact a qualified service technician to adjust the Auger.

6. Once the Engine sputters, move Choke Lever slowly to RUN position. (See Figure E on page 10.) Pull Starter Handle slowly until engine fully starts.
7. If the Engine *does not* start, press the Primer **one** more time. Move Choke Lever to START, and again attempt to start the Engine.

CAUTION! To Prevent Injury from Hot Exhaust: Hold Auger with Muffler pointing away from you. Muffler and exhaust gasses will be very hot. Your right hand should be near the Throttle in this position.

8. Stand with a solid stance on stable ground. Brace yourself and maintain a proper grip with both hands on the Frame whenever the Engine is running.
9. Accelerate the Engine to full throttle just before starting to drill by squeezing the Throttle with your **right** hand. Keep the Engine at full throttle the entire time you are drilling, unless a problem arises.
10. **Do not drill at an angle.** Keep the Bit vertical at all times.
11. Allow the Bit to drill for you. Exert only light downward pressure. If you attempt to force the Auger, damage to the Auger and Bit can result. **Be aware of the strong twisting forces produced by the Auger during operation.**

12. During drilling, periodically pull Auger up to remove loosened earth. If loosened earth is allowed to remain in the drilled hole, the Auger will screw into the earth, become stuck, and twist violently.

NOTICE: If Auger becomes stuck, dig bit out. Do not rock auger to loosen bit. Bit will bend.

13. Release the Throttle as soon as the drilling is completed, allowing the Engine to idle.

NOTICE: Avoid running the Auger at full throttle without a drilling load.

WARNING! TO PREVENT SERIOUS INJURY: Risk of entanglement! Do not carry between holes with Engine running.

14. After running the Auger for an extended period of time, allow the Engine to idle for several minutes to dissipate the heat. This will prevent some parts of the Engine (ignition system, piston rings, carburetor, etc.) from being damaged by overheating.
15. To turn engine off, release Trigger and let Engine idle for 1-2 minutes. Press the Power Switch to O Position.
16. Clean, then store the tool in a clean, dry, safe location out of reach of children and other unauthorized people.

NOTICE

See Long-Term Storage on page 15 for complete storage instructions.

PREDATOR®

⚠ WARNING

TO PREVENT SERIOUS INJURY FROM ACCIDENTAL STARTING:

Turn the Power Switch of the Auger to its “OFF” position, wait for the engine to cool, and disconnect the spark plug cap before performing any inspection, maintenance, or cleaning procedures.

TO PREVENT SERIOUS INJURY FROM AUGER FAILURE:

Do not use damaged Auger. If abnormal noise, vibration, or excess smoking occurs, have the problem corrected before further use.

Follow all service instructions in this manual. The engine may fail critically if not serviced properly.



Many maintenance procedures, including any not detailed in this manual, will need to be performed by a qualified technician for safety. If you have any doubts about your ability to safely service the Auger or engine, have a qualified technician service the Auger instead.

Cleaning, Maintenance, and Lubrication Schedule

Note: This maintenance schedule is intended solely as a general guide. If performance decreases or if Auger operates unusually, check systems immediately. The maintenance needs of each Auger will differ depending on factors such as duty cycle, temperature, air quality, fuel quality, and other factors.

Note: The following procedures are in addition to the regular checks and maintenance explained as part of the regular operation of the engine and Auger.

Procedure	Before Each Use	Monthly or every 20 hr. of use	Every 3 mo. or 50 hr. of use	Every 6 mo. or 100 hr. of use	Yearly or every 300 hr. of use	Every 2 Years
Brush off outside of engine	✓	✓	✓	✓	✓	✓
Check engine fuel/oil mixture level	✓	✓	✓	✓	✓	✓
Check/clean Fuel Filter (94) and Fuel Cap Set (81)		✓	✓	✓	✓	✓
Clean air filter*		✓**	✓	✓	✓	✓
Check and clean spark plug				✓	✓	✓
1. Clean fuel tank, strainer and carburetor 2. Clean carbon build-up from combustion chamber					✓***	✓***
Replace Fuel Filter (94) and Fuel Cap Set (81)						✓***

* Replace Air Filter after 25 hours of use.

** Service more frequently when used in dusty areas.

*** These items should be serviced by a qualified technician.

Daily Maintenance

1. **Before each use:** Inspect the general condition of the Auger. Check for misalignment or binding of moving parts, cracked or broken parts, dull, bent, or damaged Bit, and any other condition that may affect the safe operation of the tool.
2. A Bit that is bent or packed with dirt and debris can cause personal injury. Replace a damaged Bit and keep the Bit clean at all times.
3. Check the Air Filter prior to each use for excessive dirt and debris buildup, clean as needed.
4. After each use, clean the exterior of the Engine with a clean cloth and mild detergent. Do not use solvents. Remove the Bit from the Engine and use a garden hose to wash off any dirt. Do not introduce liquids into the interior of the Engine.

Checking and Filling Fuel



⚠ WARNING! TO PREVENT SERIOUS INJURY FROM FIRE:

Fill the fuel tank in a well-ventilated area away from ignition sources. If the engine is hot from use, shut the engine off and wait for it to cool before adding fuel. Do not smoke.

1. Clean the Fuel Cap and the area around it.
2. Unscrew and remove the Fuel Cap.
3. Remove the Strainer and remove any dirt and debris. Then replace the Strainer.

Note: Do not use gasoline containing more than 10% ethanol (E10). Do not use E85 ethanol. Add fuel stabilizer to the gasoline or the Warranty is VOID.

Note: Do not use gasoline that has been stored in a metal fuel container or a dirty fuel container. It can cause particles to enter the carburetor, affecting engine performance and/or causing damage.

IMPORTANT: Your Warranty is VOID if the Engine's Fuel Tank is not filled with the proper mixture (50:1) of **unleaded gasoline and 2-cycle oil** before each use. Before each use, check the fuel level. Do not run the Engine with an improper unleaded gasoline/2-cycle oil mixture. Running the Engine with an improper mixture WILL permanently damage the Engine.

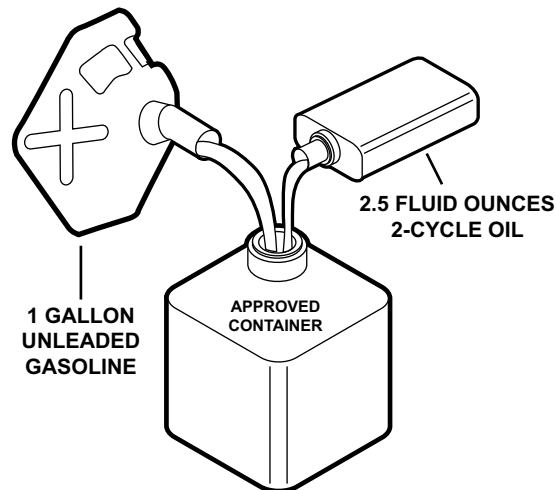


Figure G: Fuel-Oil Mixture

4. To obtain the proper gasoline and 2-cycle oil mixture, mix **2.5 fluid ounces of 2-cycle oil with 1 gallon of unleaded gasoline** into an approved container. Then gently agitate the container to thoroughly mix the gasoline/2-cycle oil.
5. If needed, fill the Fuel Tank to about 1 inch under the fill neck of the Fuel Tank with the pre-mixed unleaded gasoline/2-cycle oil mixture.
6. Replace the Fuel Cap.
7. Wipe up any spilled fuel and allow excess to evaporate before starting engine. To prevent FIRE, do not start the engine while the smell of fuel hangs in the air.

Air Filter Maintenance

1. Wear ANSI-approved safety goggles, NIOSH-approved dust mask/respirator, and work gloves while cleaning Filters.
2. Loosen the Air Filter Knob (80) and Remove the Air Filter Cover (79).

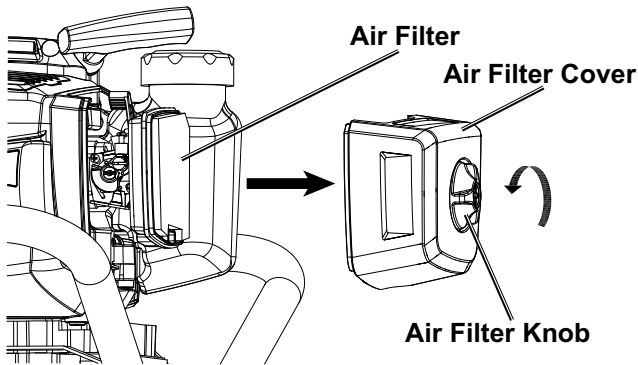


Figure H: Air Filter Removal

3. Remove Sponge Filter and check for dirt. Clean as described in step 4.
4. **Cleaning:**
 - a. Remove dust on Filter surface by tapping corner to shake dust loose.
 - b. In a well ventilated area, use pressurized air to blow dust out of Filter.
 - c. Clean out any dirt from Filter housing.
5. Install the cleaned filter. Secure the Air Filter Cover (79) and Air Filter Knob (80) before use.

Spark plug Maintenance

1. Disconnect spark plug wire from end of plug. Clean out debris from around spark plug.
2. Using a spark plug wrench, remove the spark plug.
3. Inspect the spark plug:
If the electrode is oily, clean it using a clean, dry rag.
If the electrode has deposits on it, polish it using emery paper. If the white insulator is cracked or chipped, the spark plug needs to be replaced.

Recommended Spark Plugs	
BOSCH®	L8RTF
Champion®	RCJ7Y
Torch®	L7RTC

NOTICE: Using an incorrect spark plug may damage the engine.

4. When installing a new spark plug, adjust the plug's gap to the specification on the Specifications chart. Do not pry against the electrode, the spark plug can be damaged.
5. Install the new spark plug or the cleaned spark plug into the engine.
 - **Gasket-style:**
Finger-tighten until the gasket contacts the cylinder head, then tighten about 1/2-2/3 turn more.
 - **Non-gasket-style:**
Finger-tighten until the plug contacts the cylinder head, then tighten about 1/16 turn more.

NOTICE: Tighten the spark plug properly. **If loose**, the spark plug will cause the engine to overheat.

If overtightened, the threads in the engine block will be damaged.

6. Apply dielectric spark plug boot protector (not included) to the insulator of the spark plug and reattach the wire securely.

Fuel Filter Maintenance



WARNING! TO PREVENT SERIOUS INJURY FROM FIRE:

Replace or clean the Fuel Filter in a well-ventilated area away from ignition sources. Do not smoke.

1. Wear protective gear including, ANSI-approved safety goggles, NIOSH-approved dust mask/respirator, and nitrile gloves.
2. Clean Fuel Tank Cap (81) and the area around it.
3. Remove Fuel Tank Cap (81) from Fuel Tank (84).
4. Remove Fuel Filter (94) from the tank. Flush Filter with clean gas over a container to remove any debris. Replace the cleaned filter or a new filter in the tank. Replace Fuel Tank Cap.
5. Clean up any spilled fuel.
6. Wait for at least one hour before use to allow all residual fuel vapors to dissipate.
To prevent FIRE, do not start the Engine while the smell of fuel hangs in the air.

Long-Term Storage

When the Auger is to remain idle for longer than 20 days, prepare the Engine for storage as follows:

1. **CLEANING:**

Wait for Engine to cool, then clean Engine with dry cloth. **NOTICE: Do not clean using water.** The water will gradually enter the Engine and cause rust damage. Apply a thin coat of rust preventive oil to all metal parts.

2. **FUEL:**

To protect the fuel tank during storage, fill the tank with gasoline. Follow Refer to *Checking and Filling Fuel* on page 13.



⚠️ WARNING! TO PREVENT SERIOUS INJURY FROM FIRE:

in a well-ventilated area away from ignition sources. If the engine is hot from use, shut the engine off and wait for it to cool before adding fuel. Do not smoke.

3. **LUBRICATION:**

- Clean out area around spark plug. Remove spark plug and pour one tablespoon of engine oil into cylinder through spark plug hole.
- Replace spark plug, but leave spark plug wire disconnected.

- Pull Starter Handle to distribute oil in cylinder. Stop after one or two revolutions when you feel the piston start the compression stroke (when you start to feel resistance).

4. **STORAGE AREA:**

Cover and store in a dry, level, well-ventilated area out of reach of children. Storage area should also be away from ignition sources, such as water heaters, clothes dryers, and furnaces.

NOTICE: During extended storage periods the Engine must be started every 3 months and allowed to run for 15–20 minutes or the Warranty is VOID.

5. **AFTER STORAGE:**

Before starting the Engine during or after storage, keep in mind that untreated gasoline will deteriorate quickly. Drain the fuel tank and change to fresh fuel if untreated gasoline has been sitting for a month, if treated gasoline has been sitting beyond the fuel stabilizer's recommended time period, or if the Engine does not start.

Troubleshooting

SAFETY

SETUP

OPERATION

MAINTENANCE

Problem	Possible Causes	Probable Solutions
Engine will not start	FUEL RELATED: <ol style="list-style-type: none"> No fuel in tank. Choke not in START position, cold engine. Gasoline with more than 10% ethanol used. (E15, E20, E85, etc.) Low quality or deteriorated, old gasoline/oil mixture. Carburetor not primed. Dirty fuel passageways. Too much fuel in chamber. This can be caused by the carburetor needle sticking. Clogged Fuel Filter. 	FUEL RELATED: <ol style="list-style-type: none"> Fill fuel tank with fresh 87+ octane stabilizer-treated unleaded gasoline and open fuel valve. Do not use gasoline with more than 10% ethanol (E15, E20, E85, etc.). Move Choke to START position. Clean out ethanol rich gasoline from fuel system. Replace components damaged by ethanol. Use fresh 87+ octane stabilizer-treated unleaded gasoline/oil mixture only. Do not use gasoline with more than 10% ethanol (E15, E20, E85, etc.). Use fresh 87+ octane stabilizer-treated unleaded gasoline/oil mixture. Do not use gasoline with more than 10% ethanol (E15, E20, E85, etc.). Press Priming Bulb to prime. Clean out passageways using fuel additive. Heavy deposits may require further cleaning. Turn Choke to RUN position. Remove spark plug and pull the start handle several times to air out the chamber. Reinstall spark plug and set Choke to START position. Replace Fuel Filter.
	IGNITION (SPARK) RELATED: <ol style="list-style-type: none"> Spark plug wire not connected securely. Spark plug electrode wet or dirty. Incorrect spark plug gap. Spark plug wire or spark plug broken. Incorrect spark timing or faulty ignition system. 	IGNITION (SPARK) RELATED: <ol style="list-style-type: none"> Connect spark plug wire properly. Clean spark plug. Correct spark plug gap. Replace spark plug wire and/or spark plug. Have qualified technician diagnose/repair ignition system.
	COMPRESSION RELATED: <ol style="list-style-type: none"> Cylinder not lubricated. Problem after long storage periods. Loose or broken spark plug. (Hissing noise will occur when trying to start.) Loose cylinder head or damaged head gasket. (Hissing noise will occur when trying to start.) 	COMPRESSION RELATED: <ol style="list-style-type: none"> Pour tablespoon of oil into spark plug hole. Crank engine a few times and try to start again. Tighten spark plug. If that does not work, replace spark plug. If problem persists, may have head gasket problem, see #3. Tighten head. If that does not remedy problem, replace head gasket.
Auger rotates while Engine is idle	Engine idle Speed set too high.	Have qualified technician reset carburetor Idle Screw to lower idle (RPM) speed, see Warning on page 11.
Gearbox feels exceptionally hot to the touch	Low level of gear oil.	Immediately turn off Auger. Allow gearbox to completely cool. Discontinue using Auger until the gearbox is repaired by a qualified service technician.
Power switch does not turn off Engine	Faulty Power switch.	Immediately remove spark plug cap from spark plug to stop Engine. Discontinue using Auger until the tool is repaired by a qualified service technician.



Follow all safety precautions whenever diagnosing or servicing the Auger or engine.

Problem	Possible Causes	Probable Solutions
Engine runs, but Bit is not rotating	<ol style="list-style-type: none"> 1. Throttle not properly used. 2. Throttle cable not properly adjusted. 3. Bit stuck in rocks, roots, etc. 	<ol style="list-style-type: none"> 1. Make sure to fully squeeze the Throttle. 2. Have a qualified service technician adjust Throttle cable. 3. Remove Bit from hole and clear hole of obstructions.
Engine misfires	<ol style="list-style-type: none"> 1. Spark plug cap loose. 2. Incorrect spark plug gap or damaged spark plug. 3. Defective spark plug cap. 4. Old or low quality gasoline/oil mixture. 5. Incorrect compression. 	<ol style="list-style-type: none"> 1. Check cap and wire connections. 2. Re-gap or replace spark plug. 3. Replace spark plug cap. 4. Use only fresh 87+ octane stabilizer-treated unleaded gasoline/oil mixture. Do not use gasoline with more than 10% ethanol (E15, E20, E85, etc.). 5. Diagnose and repair compression. (Use Engine will not start: COMPRESSION RELATED section.)
Engine stops suddenly	<ol style="list-style-type: none"> 1. Fuel tank empty or full of impure or low quality gasoline/oil mixture. 2. Defective fuel tank cap creating vacuum, preventing proper fuel flow. 3. Faulty magneto. 4. Disconnected or improperly connected spark plug cap. 	<ol style="list-style-type: none"> 1. Fill fuel tank with fresh 87+ octane stabilizer-treated unleaded gasoline/oil mixture. Do not use gasoline with more than 10% ethanol (E15, E20, E85, etc.). 2. Test/replace fuel tank cap. 3. Have qualified technician service magneto. 4. Secure spark plug cap.
Engine stops when under heavy load	<ol style="list-style-type: none"> 1. Dirty air filter 2. Engine running cold. 	<ol style="list-style-type: none"> 1. Clean or replace element. 2. Allow engine to warm up prior to operating Auger.
Engine knocks	<ol style="list-style-type: none"> 1. Old or low quality gasoline/oil mixture. 2. Engine overloaded. 3. Incorrect spark timing, deposit buildup, worn engine, or other mechanical problems. 	<ol style="list-style-type: none"> 1. Fill fuel tank with fresh 87+ octane stabilizer-treated unleaded gasoline/oil mixture. Do not use gasoline with more than 10% ethanol (E15, E20, E85, etc.). 2. Do not exceed Auger's load rating. 3. Have qualified technician diagnose and service engine.
Engine backfires	<ol style="list-style-type: none"> 1. Impure or low quality gasoline/oil mixture. 2. Engine too cold. 3. Intake valve stuck or overheated engine. 4. Incorrect timing. 	<ol style="list-style-type: none"> 1. Fill fuel tank with fresh 87+ octane stabilizer-treated unleaded gasoline/oil mixture. Do not use gasoline with more than 10% ethanol (E15, E20, E85, etc.). 2. Use cold weather fuel additives to prevent backfiring. 3. Have qualified technician diagnose and service engine. 4. Check engine timing. Have qualified technician diagnose and service engine.
After sudden impact, engine will run, but Auger will not operate	Shaft key or other shear pin broken by impact to disconnect engine and limit damage.	Have qualified technician check and replace broken shaft key or other shear pins.



Follow all safety precautions whenever diagnosing or servicing the Auger or engine.

SAFETY

SETUP

OPERATION

MAINTENANCE

PLEASE READ THE FOLLOWING CAREFULLY

SAFETY

THE MANUFACTURER AND/OR DISTRIBUTOR HAS PROVIDED THE PARTS LIST AND ASSEMBLY DIAGRAM IN THIS MANUAL AS A REFERENCE TOOL ONLY. NEITHER THE MANUFACTURER OR DISTRIBUTOR MAKES ANY REPRESENTATION OR WARRANTY OF ANY KIND TO THE BUYER THAT HE OR SHE IS QUALIFIED TO MAKE ANY REPAIRS TO THE PRODUCT, OR THAT HE OR SHE IS QUALIFIED TO REPLACE ANY PARTS OF THE PRODUCT. IN FACT, THE MANUFACTURER AND/OR DISTRIBUTOR EXPRESSLY STATES THAT ALL REPAIRS AND PARTS REPLACEMENTS SHOULD BE UNDERTAKEN BY CERTIFIED AND LICENSED TECHNICIANS, AND NOT BY THE BUYER. THE BUYER ASSUMES ALL RISK AND LIABILITY ARISING OUT OF HIS OR HER REPAIRS TO THE ORIGINAL PRODUCT OR REPLACEMENT PARTS THERETO, OR ARISING OUT OF HIS OR HER INSTALLATION OF REPLACEMENT PARTS THERETO.

SETUP

OPERATION

MAINTENANCE

Record Product's Serial Number Here: _____

Note: If product has no serial number, record month and year of purchase instead.

Note: Some parts are listed and shown for illustration purposes only, and are not available individually as replacement parts. Specify UPC 193175524065 when ordering parts.

Parts List

SAFETY

SETUP

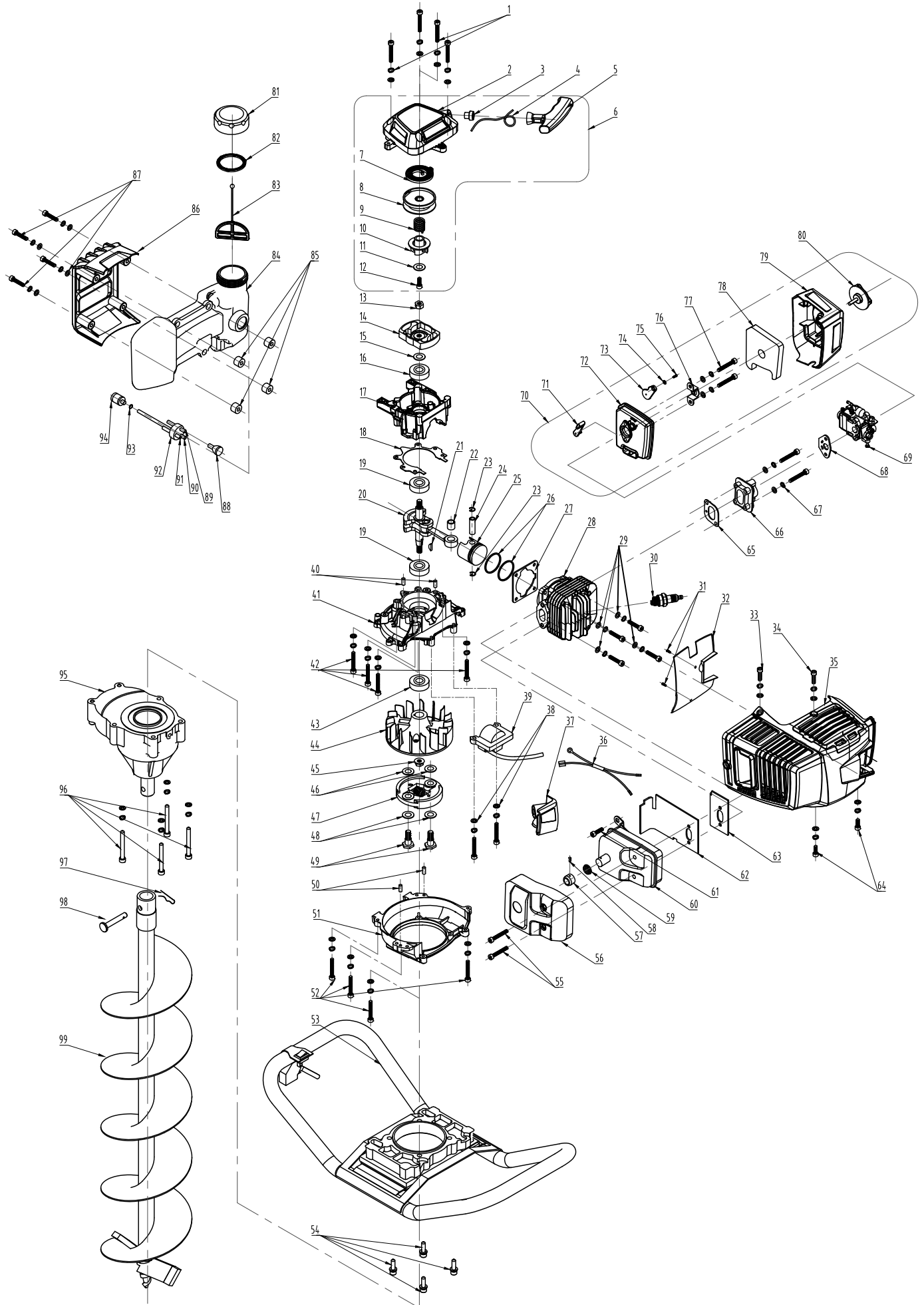
OPERATION

MAINTENANCE

Part	Description	Qty.
1	Screw M5x25	4
2	Starter Grip	1
3	Eyelet	1
4	Starter Housing	1
5	Starter Handle	1
6	Starter Rope	1
7	Coil Spring	1
8	Starter Pulley	1
9	Stater Spring	1
10	Ratchet Wheel	1
11	St Screw 4.8x19	1
12	Plate Washer 5x16x1	1
13	Nut, M8	1
14	Starter Reel	1
15	Flat Washer 8	1
16	Oil-Seal 12x22x7	1
17	Crank Case Rh Side	1
18	Crank Case Gasket	1
19	Ball Bearing 6202	2
20	Crank Shaft Assembly	1
21	Key 3x5x13	1
22	Bearing Φ 10x13x16	1
23	Circlip and Piston Ring	2
24	Piston Pin	1
25	Piston	1
26	Piston Ring	2
27	Cylinder Gasket	1
28	Cylinder	1
29	Screw M5x20	4
30	Spark Plug	1
31	St Screw 4x8	2
32	Air Deflector for Cylinder Cover	1
33	St Screw 4.8x16	1
34	Screw 5x16	1
35	Top Housing	1
36	Wire	1
37	Spark Plug Cover	1
38	Screw M5x25	2
39	Ignition	1
40	Pin Φ 5x10	2
41	Crank Case	1
42	Screw M5x30	4
43	Oil-Seal 15x30x7	1
44	Magneto Rotor	1
45	Flange Nut M8	1
46	Plate Washer 8x16x1.5	2
47	Clutch Assemble	1
48	Washer 10	2
49	Bolt/Clutch	2
50	Pin Φ 5x10	2

Part	Description	Qty.
51	Fan Cover	1
52	Screw M5x25	4
53	Handle Assembly	1
54	Screw M6x18	4
55	Screw M6x55	2
56	Muffler Cover	1
57	Spark Capture Fixing Sleeve	1
58	St Screw 4x5	1
59	Spark Capture	1
60	Muffler	1
61	Screw M5x12 . Muffler	1
62	Muffler Gasket 1	1
63	Muffler Gasket 2	1
64	Screw M5x16	2
65	Gasket	1
66	Pipe	1
67	Screw M5x25	2
68	Carburetor Gasket	1
69	Carburetor	1
70	Air Filter Assembly	1
71	Choke Handle	1
72	Air Filter Housing	1
73	Chock	1
74	Flat Washer 4	1
75	St Screw 2.9x6.5	1
76	Oil Baffle	1
77	Screw M5x50	1
78	Sponge Filter	1
79	Air Filter Cover	1
80	Air Filter Knob	1
81	Fuel Tank Cover	1
82	Gasket Rubber	1
83	Anti Falling Plate	1
84	Fuel Tank Assembly	4
85	Oil Tank Insulation Pad	1
86	Fuel Tank Housing	1
87	Screw M5x30	4
88	Balancer	1
89	Air Tube	1
90	Fuel Tube	1
91	Return Tube	1
92	Retainer	1
93	Oil Pipe Circlip	1
94	Fuel Filter	1
95	Gearbox Assembly	1
96	Screw M6x55	4
97	R-Clip	1
98	Pin Shaft 8x40	1
99	Bit	1

Assembly Diagram



SAFETY

SETUP

OPERATION

MAINTENANCE

Limited 90 Day Warranty (Retail)

Harbor Freight Tools Co. makes every effort to assure that its products meet high quality and durability standards, and warrants to the original purchaser that this product is free from defects in materials and workmanship for the period of 90 days from the date of purchase. This warranty does not apply to damage due directly or indirectly, to misuse, abuse, negligence or accidents, repairs or alterations outside our facilities, criminal activity, improper installation, normal wear and tear, or to lack of maintenance. We shall in no event be liable for death, injuries to persons or property, or for incidental, contingent, special or consequential damages arising from the use of our product. Some states do not allow the exclusion or limitation of incidental or consequential damages, so the above limitation of exclusion may not apply to you. THIS WARRANTY IS EXPRESSLY IN LIEU OF ALL OTHER WARRANTIES, EXPRESS OR IMPLIED, INCLUDING THE WARRANTIES OF MERCHANTABILITY AND FITNESS, EXCEPT FOR THE EMISSIONS CONTROL SYSTEM WARRANTY BELOW.

To take advantage of this warranty, the product or part must be returned to us with transportation charges prepaid. Proof of purchase date and an explanation of the complaint must accompany the merchandise. If our inspection verifies the defect, we will either repair or replace the product at our election or we may elect to refund the purchase price if we cannot readily and quickly provide you with a replacement. We will return repaired products at our expense, but if we determine there is no defect, or that the defect resulted from causes not within the scope of our warranty, then you must bear the cost of returning the product.

This warranty gives you specific legal rights and you may also have other rights which vary from state to state.

Emissions Control System Warranty

Harbor Freight Tools (HFT) is pleased to explain the emissions control system warranty on your Small Off-Road Engine produced after January 1, [Model Year] (engine), in addition to the Retail Warranty above. HFT warrants that the emissions control system on your engine is designed, built, and equipped so that it conforms to the United States Environmental Protection Agency's (EPA) emissions requirements in effect at the time of manufacture. HFT also warrants that the emissions control system on your engine will be free from defects in material and workmanship for two (2) years, provided there has been no improper maintenance, misuse, or abuse of your engine.

Your emissions control system may include parts such as the carburetor or fuel-injection system, and the ignition system. Also included may be hoses, belts, connectors and other emissions-related assemblies.

WHAT WE WILL DO

Where a warrantable condition exists, HFT will repair or replace, at our option, any emissions-related part on your engine if it becomes defective, malfunctions, or otherwise fails to conform with this warranty under normal use and service during the two (2) year term of this warranty at no cost to you, including diagnosis, parts and labor. This warranty applies to the original purchaser and any subsequent owner within the two year warranty period.

WHAT IS COVERED?

The following parts are examples of components of the emissions control system and are covered by this two (2) year warranty. For a full list of emissions control components covered by this warranty, please see 40 CFR §1068, Appendix I.

1. Fuel Metering System
 - a. Carburetor and its internal parts.
 - b. Fuel pump (if so equipped).
 - c. Cold start enrichment system.
2. Air Induction System
 - a. Intake pipe/manifold.
 - b. Air cleaner.
3. Ignition System
 - a. Spark plug.
 - b. Magneto ignition system.
4. Catalyst System (if so equipped)
 - a. Exhaust pipe stud.
 - b. Muffler.
 - c. Catalytic converter (if so equipped).
5. Miscellaneous Items Used in Above Systems
 - a. Vacuum, temperature and time sensitive valves and switches.
 - b. Hoses, belts, connectors, and assemblies.

This warranty does not cover normal maintenance services or replacement of maintenance items such as filters, oils, or spark plugs.

WHAT YOU MUST DO TO OBTAIN WARRANTY SERVICE

As the engine owner, you are responsible for the performance of the required maintenance listed in your Owner's Manual. HFT may deny you warranty coverage if your engine or a part has failed due to abuse (including failure to follow the fuel use instructions contained in this manual), neglect, improper maintenance, or unapproved modifications.

In order to obtain warranty repair or replacement, you may either (a) contact HFT product support at 1-888-866-5797 or productsupport@harborfreight.com; or (b) bring the to your nearest Harbor Freight Tools retail store. When going to the retail store or contacting product support, you must indicate the specific emissions control part or defect that you are claiming and the date this was originally purchased. The nearest Harbor Freight Tools retail store can be found on the internet at <http://www.harborfreight.com>.

PREDATOR®

26677 Agoura Road • Calabasas, CA 91302 • 1-888-866-5797