

Owner's Manual & Safety Instructions

Save This Manual Keep this manual for the safety warnings and precautions, assembly, operating, inspection, maintenance and cleaning procedures. Write the product's serial number in the back of the manual near the assembly diagram (or month and year of purchase if product has no number). Keep this manual and the receipt in a safe and dry place for future reference.

221

UNION[™]
SAFE COMPANY

FAST DROPDOWN HANDGUN **SAFE**



⚠ DANGER

To prevent serious injury and DEATH:

1. Leaving gun unsecured **MAY RESULT IN CRIMINAL CHARGES.**
2. Even when stored in gun safe, use gun-lock to disable gun.
3. Unload gun completely, including chamber, before storing.
4. Separate gun safe keys from other keys.
5. Lock up guns and ammunition separately out of children's reach and out of sight.

Batteries sold separately.
To ensure security of your Safe, Union Safe Company does **NOT** provide replacement keys.

Visit our website at: <http://www.harborfreight.com>
Email our technical support at: productsupport@harborfreight.com

57392

When unpacking, make sure that the product is intact and undamaged. If any parts are missing or broken, please call 1-888-866-5797 as soon as possible.

⚠ WARNING

Read this material before using this product.
Failure to do so can result in serious injury.
SAVE THIS MANUAL.

Copyright © 2022 by Harbor Freight Tools®. All rights reserved.
No portion of this manual or any artwork contained herein may be reproduced in any shape or form without the express written consent of Harbor Freight Tools. Diagrams within this manual may not be drawn proportionally. Due to continuing improvements, actual product may differ slightly from the product described herein. Tools required for assembly and service may not be included.

Specifications

External dimensions	13.75" L x 3.13" W x 7.3" H
Battery	9V
Factory Code	1, 2, 3, 4

This Gun Safe meets the California DOJ requirements.

Important Safety Information

Installation Precautions

1. Verify that installation surface has no hidden utility lines before drilling or driving screws.
2. Wear ANSI-approved safety goggles during installation.
3. Install only according to these instructions. Improper installation can create hazards.
4. Keep installation area clean and well lit.
5. Keep bystanders out of the area during installation.
6. Do not install when tired or when under the influence of alcohol, drugs, or medication.
7. The desk the Safe is mounted to must support the weight of the Safe and its load.

Use Precautions

1. **Unload gun completely, including chamber, before storing.**
 2. **Lock up guns and ammunition separately out of children's reach and out of sight.**
 3. **Even when stored in Gun Safe, use gun-lock to disable gun.**
 4. **Separate Gun Safe keys from other keys.**
 5. **Change the Combination before placing a gun into the Safe.**
 6. **Leaving gun unsecured may result in criminal charges.**
 7. **Do not allow children to play with or near Safe. Keep keys and codes away from children.**
 8. Keep clear of moving parts when closing.
 9. Do not mix old and new batteries. Do not mix alkaline, standard (carbon-zinc), or rechargeable (nickel-cadmium) batteries. Position batteries in proper polarity. Do not use swollen or leaking batteries.
 10. Use as intended only.
 11. Inspect before every use; do not use if parts are loose or damaged.
 12. Maintain product labels and nameplates. These carry important safety information. If unreadable or missing, contact Harbor Freight Tools for a replacement.
 13. Do not store Keys inside of the Safe. **Place the emergency keys in a location outside of the Safe making sure they are in a secure location that you can find.**
 14. The warnings, cautions, and instructions discussed in this instruction manual cannot cover all possible conditions and situations that may occur. It must be understood by the operator that common sense and caution are factors which cannot be built into this product, but must be supplied by the operator.
 15. The Safe is neither water- nor fire-proof.
- NOTE:** Harbor Freight Tools is not responsible for the loss or misuse of any property stored within this Safe due to theft, fire, or any other circumstance.

Installation



Read the **ENTIRE IMPORTANT SAFETY INFORMATION** section at the beginning of this manual including all text under subheadings therein before set up or use of this product.

Mounting

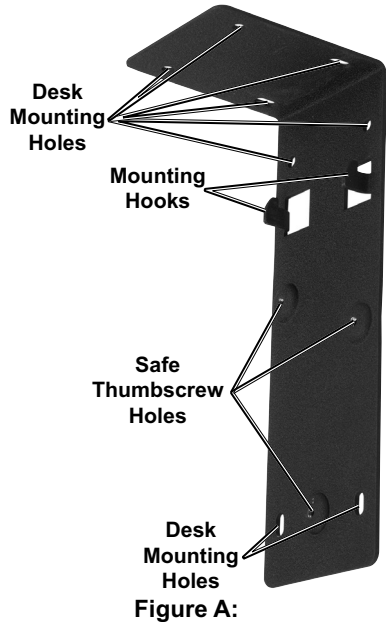
1. The mounting location must be able to support the weight of both the Safe and its contents.
2. Using the four Screws, mount the Mounting Bracket under the wooden desk in the desired location using four of the desk mounting holes. The Mounting Bracket attaches to the side or back of the Safe.

Note: If the desk that you wish to mount the Safe to is not wooden, other appropriate mounting hardware (sold separately) will need to be used.

Note: Only four of the desk mounting holes need to be used, but up to all eight can be used for mounting if desired.

Note: If the screws included with the Safe are too long, replace them with the appropriate length wood screws (not supplied) for the intended mounting surface.

3. Open the Safe with the keys.
4. Attach the mounting hooks to the slots in the back or one of the sides of the Safe.

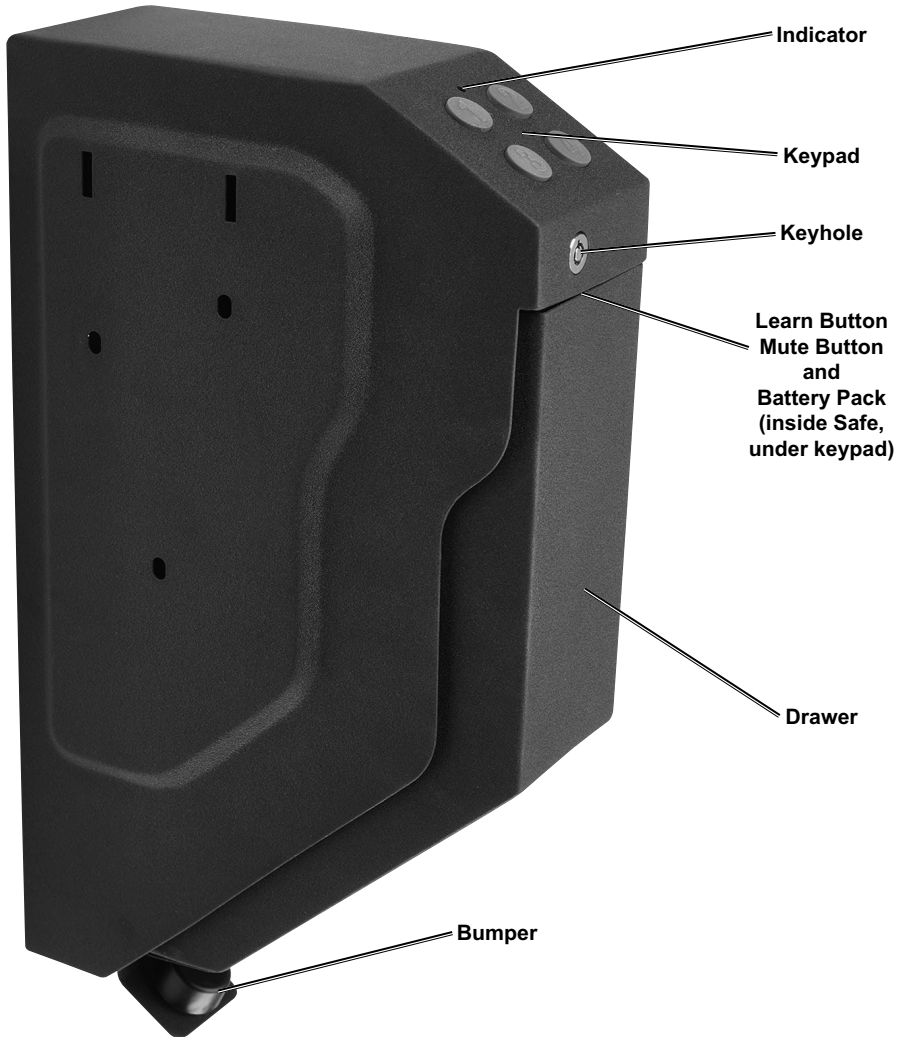


Battery Replacement

1. Remove the cover from the battery compartment, found on the ceiling of the Safe.
2. Connect 9V battery according to proper polarity.
3. Place battery in compartment and replace the battery cover.
4. When low battery is indicated, change the battery.

Note: Low battery is indicated by the Safe beeping seven times and the red light flashing seven times when the keypad is operated.

Functions



Operation



Read the **ENTIRE IMPORTANT SAFETY INFORMATION** section at the beginning of this manual including all text under subheadings therein before set up or use of this product.

⚠ DANGER

To prevent serious injury and DEATH from accidental firearm discharge:

1. **Unload gun completely, including chamber, before storing.**
2. **Lock up guns and ammunition separately out of children's reach and out of sight.**
3. **Even when stored in Gun Safe, use gun-lock to disable gun.**
4. **Separate Gun Safe keys from other keys.**
5. **Change the Combination before placing a gun into the Safe.**
6. **Leaving gun unsecured may result in criminal charges.**

Opening the Safe

Note: The factory default code is 1,2,3,4.

1. Open the Safe with the key and install the battery first.
2. To open the Safe, either:
 - a. Type the code into the keypad.
Note: The code is a sequence of single key presses and/or multiple key presses (1 and 2 at the same time, for example).
 - b. Insert the key into the lock and twist it.

3. The door will fall open.
Remove the key, if used, from the lock.
4. Close the door by pushing up and in firmly, until a click is heard. Make sure the Safe is securely locked before leaving it.

DANGER! To prevent serious injury and DEATH from accidental firearm discharge: Do not store your keys in the Safe, in the lock, or near the Safe. Change the Combination before placing a gun into the Safe. Leaving gun unsecured may result in criminal charges.

Set the Combination Code

Note: The Safe will accept only 4 to 6-entry codes.

1. Open the door using the key or factory code (1,2,3,4).
2. Press the Learn button under the keypad for two seconds.
3. Enter the new code within 13 seconds while the light is green. Each entry in the code can be:
 - a **single** button, or
 - any **combination** of buttons pushed at the same time
4. Again, press the Learn button under the keypad for two seconds. The light will turn red and the Safe will beep.
5. Repeat the new code within 13 seconds while the light is red to confirm it.
6. Again, press the Learn button under the keypad for two seconds. The light will turn blink green five times and beep five times confirming that the code was accepted.

Note: If no feedback is given, the code has not been accepted.

Mute Button

Press the Mute Button to toggle the audible beeps while pressing the Keypad buttons.

Tamper Detection

Hold down buttons 2 and 3 for five seconds to check for tampering.

- If an invalid code has been entered since the last time the Safe was opened, the red light will glow until buttons 2 and 3 are released.
- If an invalid code has not been entered since the last time the Safe was opened, the green light will glow until buttons 2 and 3 are released.

Entering the Wrong Combination

1. 24 incorrect entries on the keypad will cause the Safe to lockdown for two minutes.
2. During lockdown the keypad will not accept any entries.
3. If a button is pressed during lockdown, the light will blink red and the alarm will beep three times.

Low Battery Warning Indicator

To indicate the batteries are almost depleted, there will be seven red flashes and seven soft beeps when the Keypad is operated.

Maintenance and Servicing



Procedures not specifically explained in this manual must be performed only by a qualified technician.

1. **BEFORE EACH USE**, inspect the general condition of the Safe. Check for loose screws, misalignment or binding of moving parts, cracked or broken parts, damaged electrical wiring, and any other condition that may affect its Safe operation.
2. **PERIODICALLY** clean external surfaces of the Safe with a clean cloth.

Record Serial Number Here: _____

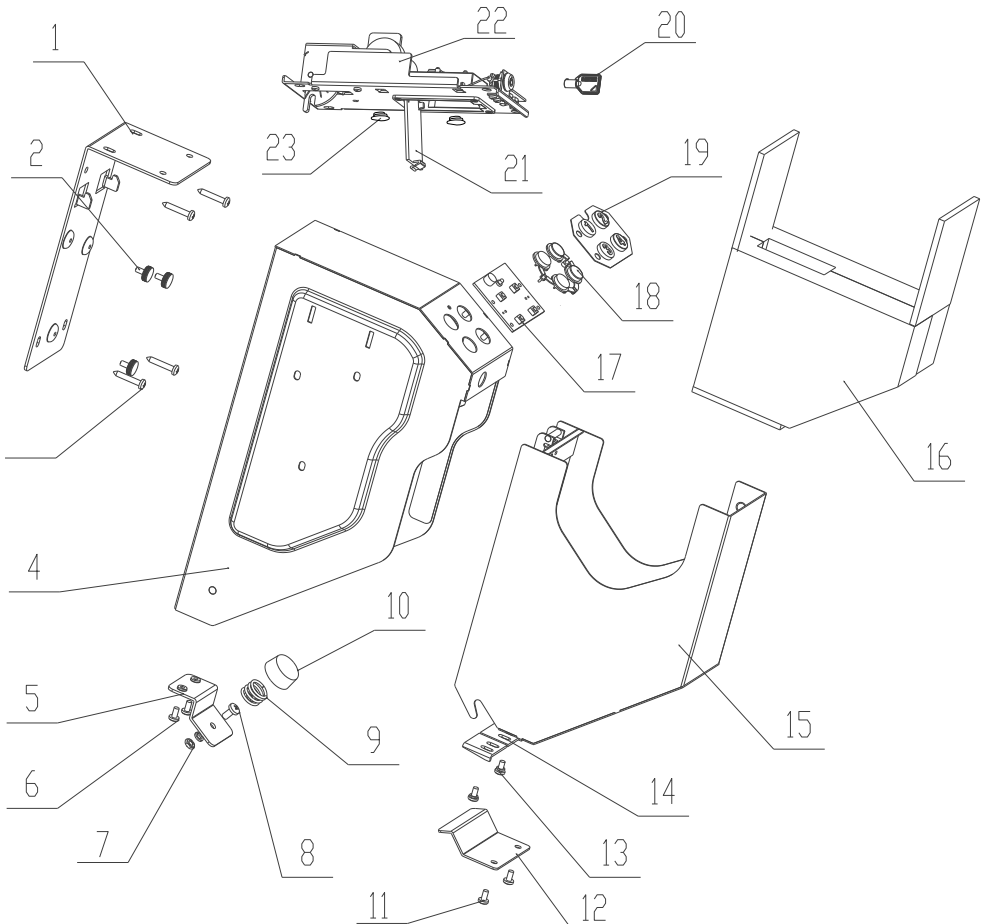
Note: If product has no serial number, record month and year of purchase instead.

Note: Some parts are listed and shown for illustration purposes only, and are not available individually as replacement parts. Specify UPC 193175491640 when ordering parts.

Parts List and Diagram

Part	Description	Qty
1	Mounting Bracket	1
2	Knob M4x6	3
3	Screw ST4.2x25	4
4	Housing	1
5	Stop Bracket	1
6	Bolt M4x8	2
7	Nut M5	1
8	Bolt M5x10	1
9	Spring	1
10	Bumper	1
11	Retaining Bolt M4x8	2
12	Retaining Cover	1

Part	Description	Qty
13	Bolt M4x8	2
14	Bracket	2
15	Holder	1
16	Foam Padding	1
17	Circuit Board	1
18	Keypad	1
19	Code Button	1
20	Key	1
21	Battery Box Cover	1
22	Locking Mechanism	1
23	Anti-pry Plug	2



Limited 90 Day Warranty

Harbor Freight Tools Co. makes every effort to assure that its products meet high quality and durability standards, and warrants to the original purchaser that this product is free from defects in materials and workmanship for the period of 90 days from the date of purchase. This warranty does not apply to damage due directly or indirectly, to misuse, abuse, negligence or accidents, repairs or alterations outside our facilities, criminal activity, improper installation, normal wear and tear, or to lack of maintenance. We shall in no event be liable for death, injuries to persons or property, or for incidental, contingent, special or consequential damages arising from the use of our product. Some states do not allow the exclusion or limitation of incidental or consequential damages, so the above limitation of exclusion may not apply to you. THIS WARRANTY IS EXPRESSLY IN LIEU OF ALL OTHER WARRANTIES, EXPRESS OR IMPLIED, INCLUDING THE WARRANTIES OF MERCHANTABILITY AND FITNESS.

To take advantage of this warranty, the product or part must be returned to us with transportation charges prepaid. Proof of purchase date and an explanation of the complaint must accompany the merchandise. If our inspection verifies the defect, we will either repair or replace the product at our election or we may elect to refund the purchase price if we cannot readily and quickly provide you with a replacement. We will return repaired products at our expense, but if we determine there is no defect, or that the defect resulted from causes not within the scope of our warranty, then you must bear the cost of returning the product.

This warranty gives you specific legal rights and you may also have other rights which vary from state to state.

