

Owner's Manual & Safety Instructions

Save This Manual Keep this manual for the safety warnings and precautions, assembly, operating, inspection, maintenance and cleaning procedures. Write the product's serial number in the back of the manual (or month and year of purchase if product has no number). Keep this manual and the receipt in a safe and dry place for future reference.

22c

BADLAND®

WINCH HITCH MOUNT



Visit our website at: <http://www.harborfreight.com>
Email our technical support at: productsupport@harborfreight.com

57607

When unpacking, make sure that the product is intact and undamaged. If any parts are missing or broken, please call 1-888-866-5797 as soon as possible.

Copyright© 2022 by Harbor Freight Tools®. All rights reserved.
No portion of this manual or any artwork contained herein may be reproduced in any shape or form without the express written consent of Harbor Freight Tools. Diagrams within this manual may not be drawn proportionally. Due to continuing improvements, actual product may differ slightly from the product described herein.
Tools required for assembly and service may not be included.

⚠WARNING

Read this material before using this product. Failure to do so can result in serious injury.
SAVE THIS MANUAL.

Important Safety Information

TO PREVENT SERIOUS INJURY:

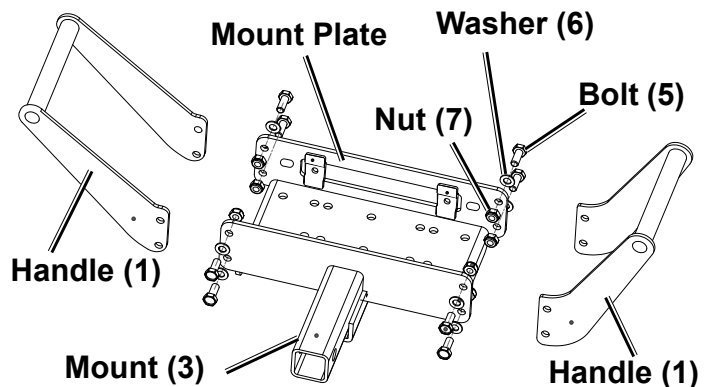
1. Do not exceed 12,000 lb pull capacity. Be aware of dynamic loading! Sudden load movement may briefly create excess load causing product failure. Capacity limited by hitch mounted on.
2. Obey DOT and local regulations for use on public roads.
3. Route cable through fairlead slot and pull straight back only.
4. Wear ANSI-approved safety goggles and heavy-duty work gloves during setup.
5. Secure before use.
6. Inspect before every use; do not use if parts loose or damaged.
7. Use as intended only.
8. Read winch manual and manual for hitch receiver this is mounted in before setup.
9. Assemble only according to these instructions. Improper assembly can create hazards.
10. Keep assembly area clean and well lit.
11. Keep bystanders out of the area during assembly.
12. Do not assemble when tired or when under the influence of drugs or medication.
13. Do not drill new holes to attach winch to mount or weld winch to mount.
14. Weight capacity and other product capabilities apply to properly and completely assembled product only.
15. This product is not a toy. Do not allow children to play with or near this item.
16. Maintain product labels and nameplates. These carry important safety information. If unreadable or missing, contact Harbor Freight Tools for a replacement.

BADLAND®

Assembly Instructions

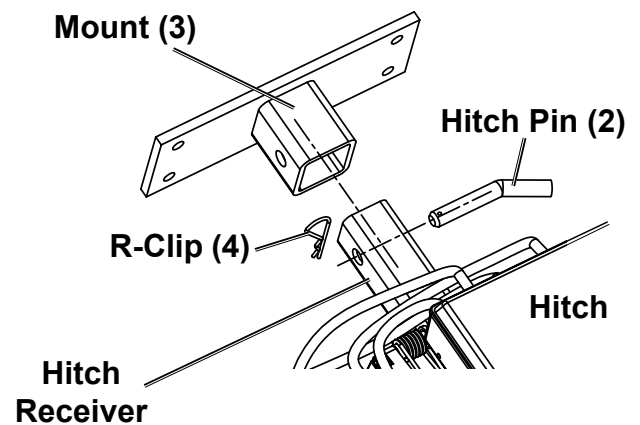
Assembling the Winch Hitch Mount

1. Assemble the two Handles (1) to the inside of the Winch Hitch Mount using included hardware: Eight Bolts (5), Washers (6), and Nuts (7). Tighten securely.



Connecting the Winch Hitch Mount to Hitch

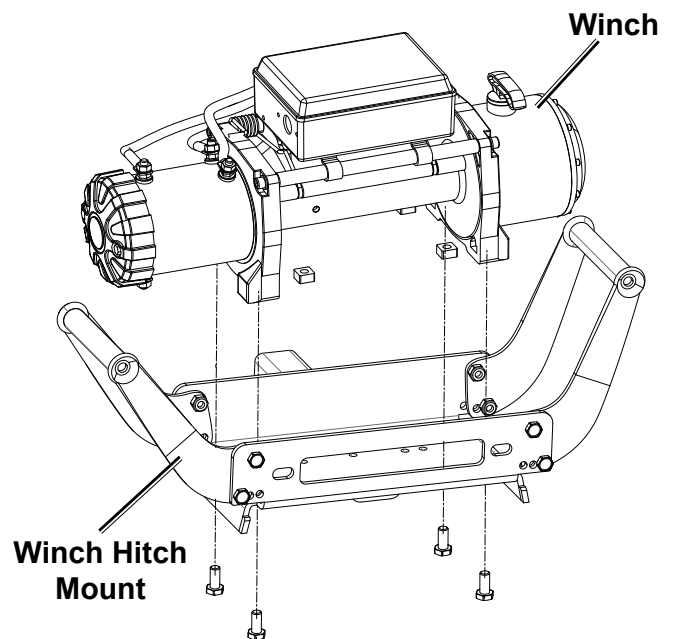
1. Insert the Mount (3) into the receiver on the hitch.
2. Connect by inserting the Hitch Pin (2) through the holes in the Mount (3) and Hitch Receiver. Secure with R-Clip (4).



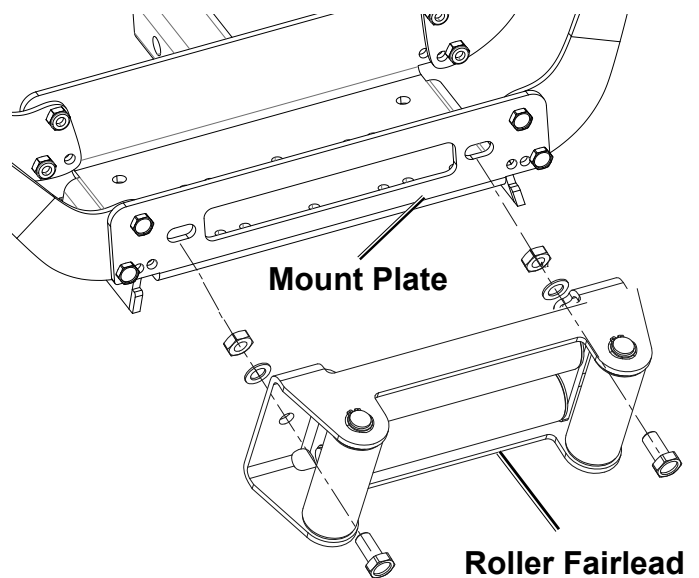
BADLAND®

Attaching Winch to Winch Hitch Mount

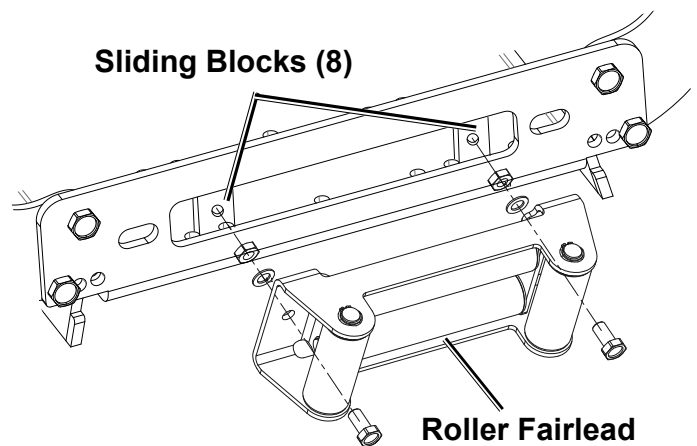
1. Attach Winch (sold separately) to the inside of the Winch Hitch Mount. Fasten with four bolts and nuts (sold separately).



2. Attach Roller Fairlead (sold separately) to the side of the Mount Plate.



3. Pull in the Sliding Blocks (8), if needed.
4. Fasten with bolts and nuts (sold separately). Tighten securely.



PLEASE READ THE FOLLOWING CAREFULLY

THE MANUFACTURER AND/OR DISTRIBUTOR HAS PROVIDED THE DIAGRAM IN THIS DOCUMENT AS A REFERENCE TOOL ONLY. NEITHER THE MANUFACTURER OR DISTRIBUTOR MAKES ANY REPRESENTATION OR WARRANTY OF ANY KIND TO THE BUYER THAT HE OR SHE IS QUALIFIED TO MAKE ANY REPAIRS TO THE PRODUCT, OR THAT HE OR SHE IS QUALIFIED TO REPLACE ANY PARTS OF THE PRODUCT. IN FACT, THE MANUFACTURER AND/OR DISTRIBUTOR EXPRESSLY STATES THAT ALL REPAIRS AND PARTS REPLACEMENTS SHOULD BE UNDERTAKEN BY CERTIFIED AND LICENSED TECHNICIANS, AND NOT BY THE BUYER. THE BUYER ASSUMES ALL RISK AND LIABILITY ARISING OUT OF HIS OR HER REPAIRS TO THE ORIGINAL PRODUCT OR REPLACEMENT PARTS THERETO, OR ARISING OUT OF HIS OR HER INSTALLATION OF REPLACEMENT PARTS THERETO.

BADLAND®

Parts List and Diagram

Parts List

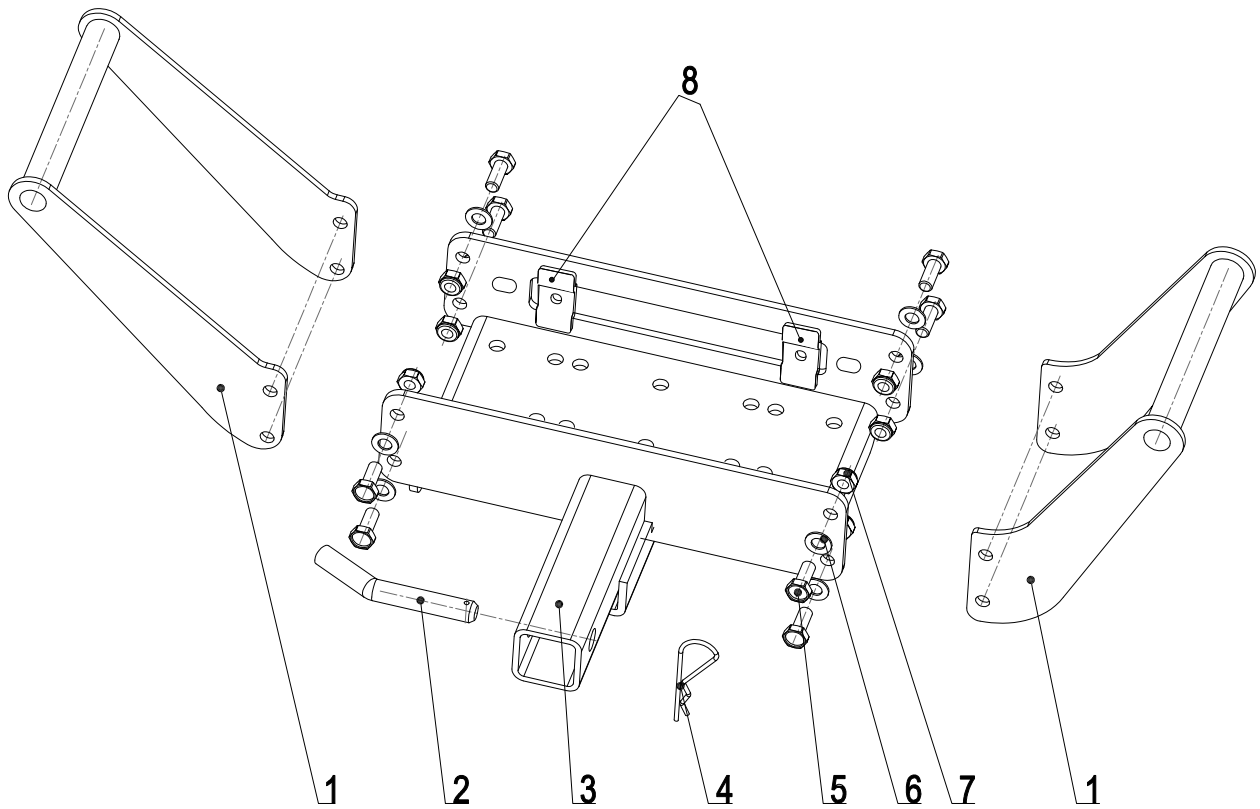
Part	Description	Qty
1	Handle	2
2	Hitch Pin	1
3	Mount	1
4	R-Clip	1
5	Bolt	8
6	Washer	8
7	Nut	8
8	Sliding Block	2

Record Serial Number Here:

Note: If product has no serial number, record month and year of purchase instead.

Note: Some parts are listed and shown for illustration purposes only, and are not available individually as replacement parts. Specify UPC 193175473615 when ordering parts.

Assembly Diagram



Limited 90 Day Warranty

Harbor Freight Tools Co. makes every effort to assure that its products meet high quality and durability standards, and warrants to the original purchaser that this product is free from defects in materials and workmanship for the period of 90 days from the date of purchase. This warranty does not apply to damage due directly or indirectly, to misuse, abuse, negligence or accidents, repairs or alterations outside our facilities, criminal activity, improper installation, normal wear and tear, or to lack of maintenance. We shall in no event be liable for death, injuries to persons or property, or for incidental, contingent, special or consequential damages arising from the use of our product. Some states do not allow the exclusion or limitation of incidental or consequential damages, so the above limitation of exclusion may not apply to you. THIS WARRANTY IS EXPRESSLY IN LIEU OF ALL OTHER WARRANTIES, EXPRESS OR IMPLIED, INCLUDING THE WARRANTIES OF MERCHANTABILITY AND FITNESS.

To take advantage of this warranty, the product or part must be returned to us with transportation charges prepaid. Proof of purchase date and an explanation of the complaint must accompany the merchandise. If our inspection verifies the defect, we will either repair or replace the product at our election or we may elect to refund the purchase price if we cannot readily and quickly provide you with a replacement. We will return repaired products at our expense, but if we determine there is no defect, or that the defect resulted from causes not within the scope of our warranty, then you must bear the cost of returning the product.

This warranty gives you specific legal rights and you may also have other rights which vary from state to state.

BADLAND®

26677 Agoura Road • Calabasas, CA 91302 • 1-888-866-5797