

Owner's Manual & Safety Instructions

Save This Manual Keep this manual for the safety warnings and precautions, assembly, operating, inspection, maintenance and cleaning procedures. Write the product's serial number in the back of the manual near the assembly diagram (or month and year of purchase if product has no number). Keep this manual and the receipt in a safe and dry place for future reference.

201

**ONE STOP
GARDENS**

SOLAR SPOT LIGHT



Visit our website at: <http://www.harborfreight.com>
Email our technical support at: productsupport@harborfreight.com

57704

When unpacking, make sure that the product is intact and undamaged. If any parts are missing or broken, please call 1-888-866-5797 as soon as possible.

Copyright© 2020 by Harbor Freight Tools®. All rights reserved.
No portion of this manual or any artwork contained herein may be reproduced in any shape or form without the express written consent of Harbor Freight Tools. Diagrams within this manual may not be drawn proportionally. Due to continuing improvements, actual product may differ slightly from the product described herein. Tools required for assembly and service may not be included.

⚠WARNING

Read this material before using this product.
Failure to do so can result in serious injury.
SAVE THIS MANUAL.

Specifications

Batteries	Rechargeable Lithium / 3.7V / 1400mAh
Run Time	up to 8 hr 30 min
Color Temperature	3000K Warm White

Important Safety Information

1. Wear ANSI-approved safety goggles during setup.
2. Keep setup area clean and well lit.
3. Keep bystanders out of the area during setup.
4. Do not setup when tired or when under the influence of alcohol, drugs or medication.
5. This product is not a toy. Do not allow children to play with or near this item.
6. Use as intended only.
7. Inspect before every use; do not use if parts are loose or damaged.
8. Maintain product labels and nameplates. These carry important safety information. If unreadable or missing, contact Harbor Freight Tools for a replacement.
9. CONTAINS LITHIUM BATTERY. BATTERY MUST BE RECYCLED OR DISPOSED OF PROPERLY.

Instructions

1. Choose a location for the Solar Spotlight that receives full, direct sunlight for a minimum of a day. The location should not be near nighttime light sources such as porch lights or streetlights as this may trigger the lights to turn off or flicker.
2. Before inserting the Solar Spotlight into the ground, choose an area where there are no underground pipes, cables or other obstructions and the ground is soft enough to accept the Stake.
3. Gently insert it into the ground making certain that it is in solid. Completely insert the Stake into the ground to assure full stability for the Solar Spotlight.
4. The Light Assembly rotates up and down to obtain the best lighting situation. The Solar Panel pivots and can be set to a number of different angles to obtain the best angle for solar power.
5. Before operating at full power, the Solar Spotlight will need to charge for at least a day.
6. After the initial charge is set, check to see that the LED Lights are on by viewing the light at night or in a dark location. If the LED Lights are not lit, check the position of the Switch.

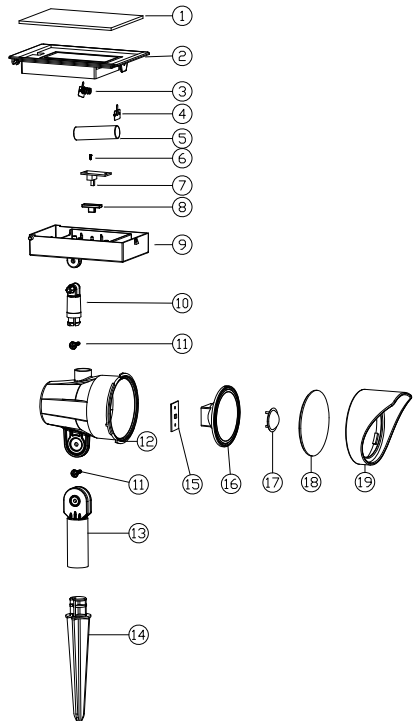
7. To remove battery: Push up on the battery case (2). Remove old battery and place new battery in correct polarity. Close battery case before reinstalling light.

Note: Used battery must be disposed of properly.

Note: During the day, the Solar Panel converts sunlight into electricity, recharging the batteries. The amount of light the Solar Panel receives depends on placement of the Solar Spotlight, geographic location, and weather. If the weather is cloudy and the panel did not receive a full charge, the Solar Spotlight may not achieve the full hours of operating time. They will catch up on their own after two to three days of full sun.

Parts List and Diagram

Part	Description	Qty.
1	Solar Panel	1
2	Battery Case	1
3	Negative Panel	1
4	Positive Panel	1
5	Rechargeable Lithium Battery	1
6	Screw	1
7	PCB Board	1
8	Switch Waterproof Cap	1
9	Battery Case Bottom Shell	1
10	Connector	1
11	Stainless Steel Screw	2
12	Main Body	1
13	Connecting Rod	1
14	Spike	1
15	LED Board	1
16	Reflector	1
17	Lens	1
18	Transparent Lens	1
19	Front Cover	1



Record Serial Number Here: _____

Note: If product has no serial number, record month and year of purchase instead.

Note: Replacement parts, other than batteries, are not available for this item. Reference UPC 193175421364.

Limited 90 Day Warranty

Harbor Freight Tools Co. makes every effort to assure that its products meet high quality and durability standards, and warrants to the original purchaser that this product is free from defects in materials and workmanship for the period of 90 days from the date of purchase. This warranty does not apply to damage due directly or indirectly, to misuse, abuse, negligence or accidents, repairs or alterations outside our facilities, criminal activity, improper installation, normal wear and tear, or to lack of maintenance. We shall in no event be liable for death, injuries to persons or property, or for incidental, contingent, special or consequential damages arising from the use of our product. Some states do not allow the exclusion or limitation of incidental or consequential damages, so the above limitation of exclusion may not apply to you. THIS WARRANTY IS EXPRESSLY IN LIEU OF ALL OTHER WARRANTIES, EXPRESS OR IMPLIED, INCLUDING THE WARRANTIES OF MERCHANTABILITY AND FITNESS.

To take advantage of this warranty, the product or part must be returned to us with transportation charges prepaid. Proof of purchase date and an explanation of the complaint must accompany the merchandise. If our inspection verifies the defect, we will either repair or replace the product at our election or we may elect to refund the purchase price if we cannot readily and quickly provide you with a replacement. We will return repaired products at our expense, but if we determine there is no defect, or that the defect resulted from causes not within the scope of our warranty, then you must bear the cost of returning the product.

This warranty gives you specific legal rights and you may also have other rights which vary from state to state.

