

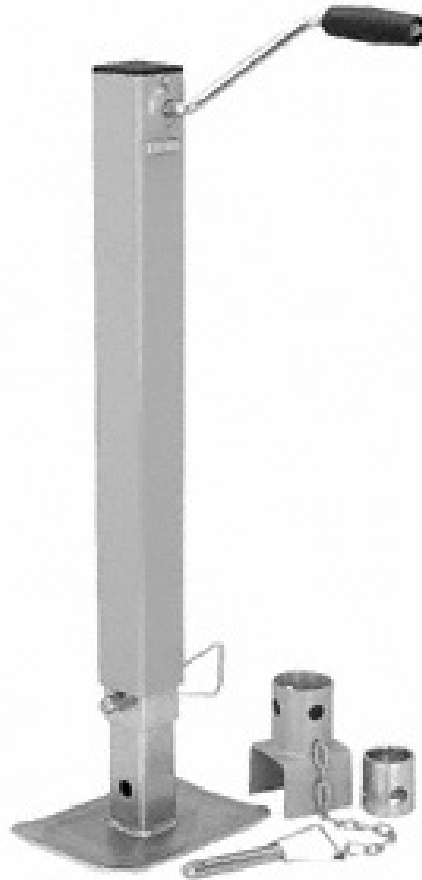
Owner's Manual & Safety Instructions

Save This Manual Keep this manual for the safety warnings and precautions, assembly, operating, inspection, maintenance and cleaning procedures. Write the product's serial number in the back of the manual (or month and year of purchase if product has no number). Keep this manual and the receipt in a safe and dry place for future reference.

22b

HAULMASTER®

3,500 LB. CAPACITY DROP LEG TRAILER JACK








When unpacking, make sure that the product is intact and undamaged. If any parts are missing or broken, please call 1-888-866-5797 as soon as possible.

⚠ WARNING

Copyright© 2021 by Harbor Freight Tools®. All rights reserved.
No portion of this manual or any artwork contained herein may be reproduced in any shape or form without the express written consent of Harbor Freight Tools. Diagrams within this manual may not be drawn proportionally. Due to continuing improvements, actual product may differ slightly from the product described herein. Tools required for assembly and service may not be included.

**Read this material before using this product.
Failure to do so can result in serious injury.
SAVE THIS MANUAL.**

Important SAFETY Information

WARNING SYMBOLS AND DEFINITIONS	
	This is the safety alert symbol. It is used to alert you to potential personal injury hazards. Obey all safety messages that follow this symbol to avoid possible injury or death.
	Indicates a hazardous situation which, if not avoided, will result in death or serious injury.
	Indicates a hazardous situation which, if not avoided, could result in death or serious injury.
	Indicates a hazardous situation which, if not avoided, could result in minor or moderate injury.
	Addresses practices not related to personal injury.

IMPORTANT SAFETY INFORMATION

WARNING

Read all safety warnings and instructions.

Failure to follow the warnings and instructions may result in serious injury.

Save all warnings and instructions for future reference.

Basic Safety Information

Keep work area clean and well lit. *Cluttered or dark areas invite accidents.*

Personal safety

- Stay alert, watch what you are doing and use common sense when operating a tool. Do not use a tool while you are tired or under the influence of drugs, alcohol or medication. A moment of inattention while operating tools may result in serious personal injury.**
- Use personal protective equipment. Always wear eye protection. Safety equipment such as non-skid safety shoes or a hard hat used for appropriate conditions will reduce personal injuries.**

Service

Have your tool serviced by a qualified repair person using only identical replacement parts. *This will ensure that the safety of the tool is maintained.*

Specific Safety Warnings

- Mounting bracket must be attached by certified welder.
- Do not exceed rated capacity.

3. **THE JACK IS DESIGNED FOR USE WITH A ROUND JACK MOUNT (sold separately). THE ROUND JACK MOUNT ALLOWS THE JACK TO BE SWIVELED AND SAFELY LOCKED IN PLACE WHEN THE JACK IS NOT BEING USED. DO NOT ATTEMPT TO WELD THE JACK IN A VERTICAL POSITION DIRECTLY ONTO THE TRAILER TONGUE.** (See Figures A and B.)
4. **WELDING IS REQUIRED TO SECURELY AND PERMANENTLY ATTACH THE JACK TO THE TRAILER TONGUE. ONLY A QUALIFIED, CERTIFIED, WELDER SHOULD DO THE WELDING.** A poor weld may cause the trailer to fall suddenly, potentially causing serious personal and/or property damage. (See Figure A.)
5. **DO NOT EXCEED THE MAXIMUM LIFT CAPACITY (3,500 POUNDS) FOR THE JACK.** Overloading the Jack could cause personal injury and/or property damage. **Be aware of dynamic loading!** A sudden drop of the Jack (with load attached) may create for a brief instant, an excess load, which may result in damage to the product and/or personal injury.
6. **MAKE SURE TO READ AND UNDERSTAND ALL INSTRUCTIONS AND SAFETY PRECAUTIONS AS OUTLINED IN THE MANUFACTURER'S MANUAL FOR THE TRAILER YOU ARE LIFTING.** Make sure to attach the Jack at the trailer manufacturer's recommended lifting point. (See Figure A.)
7. **ALWAYS EXAMINE THE JACK FOR STRUCTURAL CRACKS, BENDS, DAMAGE, AND ANY OTHER CONDITION THAT MAY AFFECT THE SAFE OPERATION OF THE JACK.**
Do not use the Jack even if minor damage appears.
8. **DO NOT USE THE JACK ON ANY SOFT GROUND SURFACE.** Make sure the Jack is used on a dry, hard, ground surface capable of supporting the weight of the Jack, the trailer, contents being lifted, and any additional tools and equipment. Do not use on asphalt, which may soften in hot weather.
9. **ROLL AWAY:** Avoid situations that allow the trailer to roll away on the Inner Tube (1) of the Jack and trailer wheels. Always use wheel chocks to prevent rolling. Never leave the trailer unattended while on the Jack. The possibility of roll away always exists.
10. **MAINTAIN A SAFE WORKING ENVIRONMENT.** Keep the work area well lit. Make sure there is adequate surrounding workspace. Always keep the work area free of obstructions, grease, oil, trash, and other debris.
11. **ALWAYS KEEP HANDS, FINGERS, ARMS, AND FEET OUT FROM UNDER THE TRAILER TONGUE WHEN APPLYING OR RELEASING A LOAD.** Remain clear of the trailer when raising or lowering. People and animals should be kept at a safe distance when using the Jack.
12. **USE EXTREME CAUTION WHEN APPLYING OR RELEASING A LOAD.** Never allow the load to suddenly release. Slowly and carefully apply and release the load.
13. **NEVER LIFT A TRAILER WITH ANYONE ON IT.** Do not allow others in the lift area while operating the Jack.
14. **ONCE A LIFTING OPERATION IS COMPLETED, MAKE SURE TO INSERT THE LOCK PIN (13) IN THE PROPER POSITION.**
(See Figures A, and B.)
15. **DOLLYING ON UNEVEN SURFACES:** The curved Base of the Inner Tube (1) makes moving the trailer without a vehicle possible. However, moving the trailer on uneven surfaces can cause potential damage to the Jack or other property. (See Figure B.)
16. **BEFORE LOWERING THE JACK, MAKE SURE TOOL TRAYS, STANDS, AND ALL OTHER TOOLS AND EQUIPMENT ARE REMOVED FROM UNDER THE TRAILER.**
17. **BEFORE PULLING A TRAILER, MAKE SURE THE JACK IS FULLY COLLAPSED AND LOCKED IN THE HORIZONTAL POSITION.** Always re-position the Jack into a horizontal position (parallel to the trailer's tongue) before moving the vehicle and trailer. Make sure the Lock Pin (13) is in place. Driving with the Jack in a vertical, down position can cause serious damage to property. (See Figure A.) The warnings, precautions, and instructions discussed in this instruction manual cannot cover all possible conditions and situations that may occur. It must be understood by the operator that common sense and caution are factors which cannot be built into this product, but must be supplied by the operator.



SAVE THESE INSTRUCTIONS.

Specifications

Lifting Capacity	3,500 Pounds
Measured Lift	28-1/2"
Height Range	24" - 52"
Foot/Base Size	6" X 8"
Overall Dimensions	2-1/4" Square Tube 24" High, Jack Top
Crank Type	Side Wind
Handle Attachment	Roll-Pin
Handle Length	6" Long With 3-1/2" Grip
Jack Attachment	Welding Required

Assembly

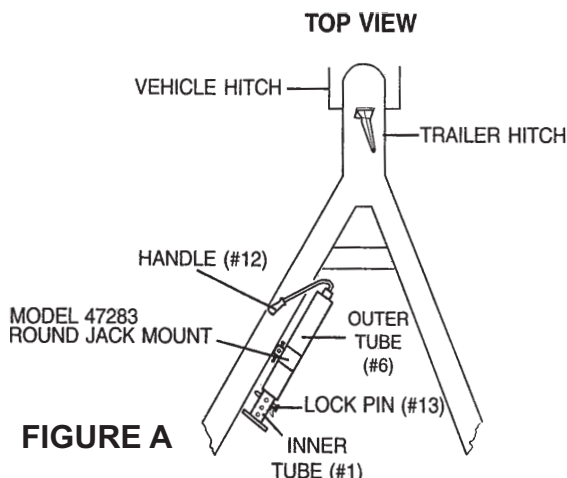
This Drop Leg Jack is designed for use with the **Model 47283 Round Jack Mount**, and its assembly requires welding by a qualified, certified welder. The parts of the Round Jack Mount (sold separately) are welded to both the Drop Leg Jack and the trailer tongue, smaller motor home, or other object weighing under 3,500 pounds, that is to be lifted. Once the assembly is completed, the Drop Leg Jack may be safely and securely locked in a horizontal or vertical position. (See Figures A and B.)

Operating Instructions

NOTE: For additional references to the parts listed below, refer to the Assembly Diagram (page 10).

To Dismount The Trailer, Motorhome, Etc., From The Towing Vehicle:

WARNING! TO PREVENT SERIOUS INJURY: Before dismounting, make sure the trailer wheels are properly un-chocked to prevent the trailer from rolling.



1. With the trailer still connected to the vehicle's hitch, remove the *Pin* that comes with the Round Jack Mount. Turn the Jack to its vertical position. Then, re-insert the Pin in the Round Jack Mount to lock the Jack vertically in place. (See Figures A, B, and Assy. Diagram.)

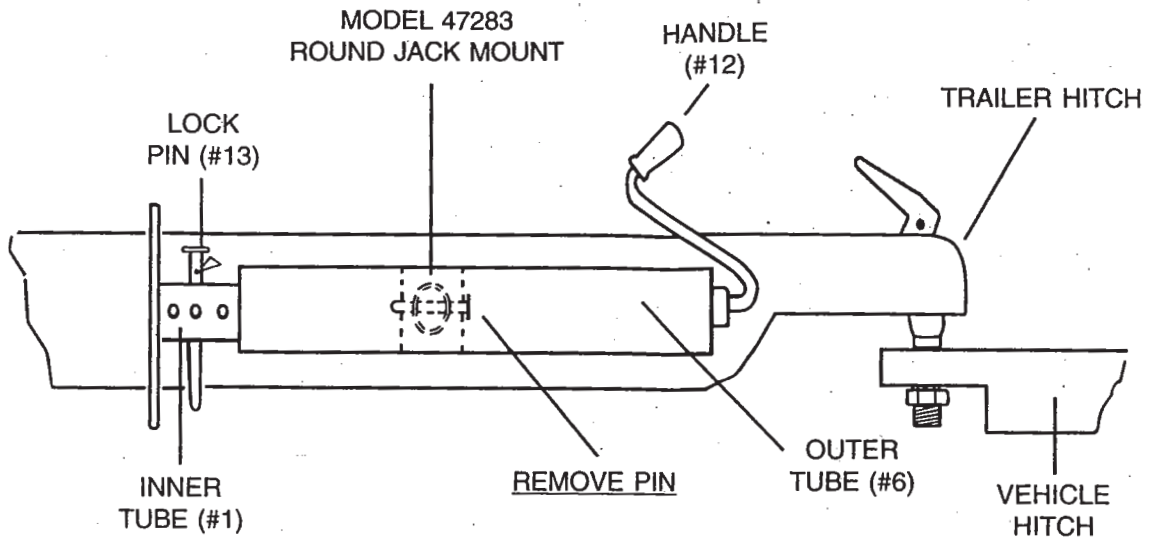
2. Remove the Lock Pin (13) from the Inner Tube (1) of the Jack, and turn the Handle (12) *counterclockwise* until the base of the Inner Tube rests solidly upon the ground surface. (See Figures A, B, and Assy. Diagram.)
3. Continue to turn the Handle (12) *counterclockwise* until the base of the Inner Tube (1) begins to take the weight of the trailer. This will make it easier to disengage the trailer's hitch. Then, re-insert the Lock Pin (13) in the hole nearest the bottom edge of the Outer Tube (6). Never let trailer drop onto the Jack. (See Figures A, B, and Assy. Diagram.)
4. Chock the wheels of the trailer. Then, disengage the trailer's hitch.

NOTE: Make sure to disconnect any safety chains, electrical connections, and other connections between the vehicle and the trailer. (See Figures A, and B.)

6. Once the trailer is completely disengaged from the vehicle, slowly and carefully drive the vehicle away from the trailer.

CAUTION! Make sure to have a "spotter" watch this procedure to ensure that people and the trailer are clear of the vehicle, and that the trailer does not roll away.

(Both Illustrations Show Side View.)



**TO SWIVEL THE DROP LEG JACK
FROM A HORIZONTAL TO A VERTICAL POSITION.**

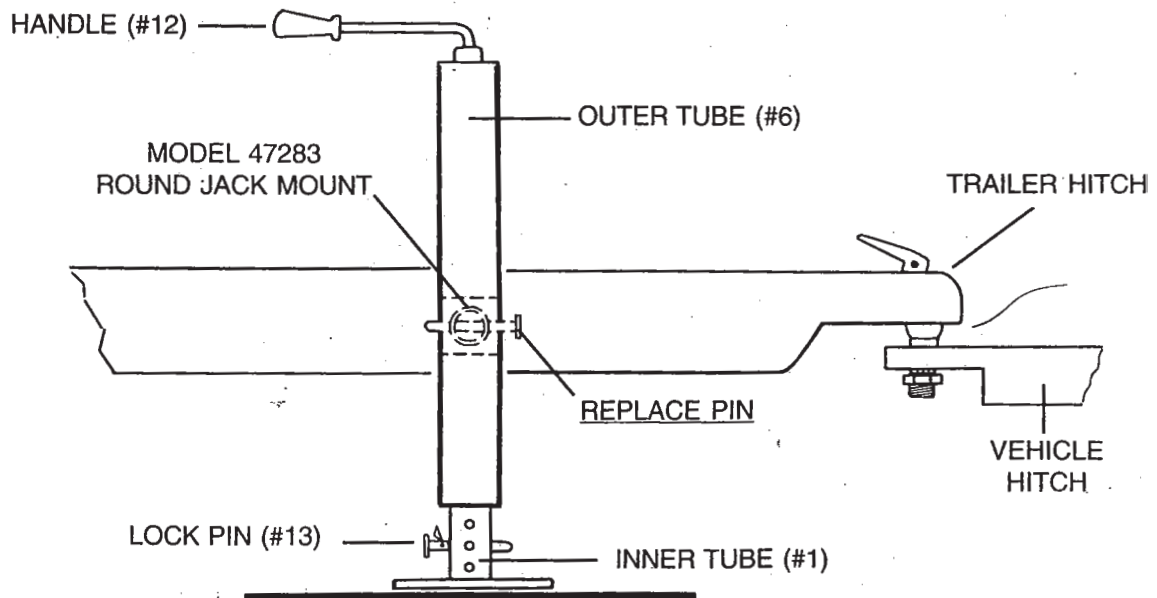


FIGURE B

To Mount The Trailer, Motorhome, Etc., To The Towing Vehicle:

NOTE: Do not attempt to move the trailer tongue if it is too heavy. You will need assistance for this procedure.

1. Make sure the trailer's wheels are properly chocked to prevent unwanted trailer movement.
2. With assistance by a "spotter," move the towing vehicle in place so that the vehicle's hitch is in close proximity to the trailer hitch. (See Figures A, and B.)
3. Turn the Handle (12) *clockwise* to raise the trailer's hitch slightly above the level of the vehicle's hitch. (See Figures A, B, and Assy. Diagram.)
4. Have a "spotter" direct you as you slowly and carefully back the vehicle until the vehicle's hitch ball is positioned directly beneath the trailer's hitch. (See Figures A, and B.)
5. Remove the Lock Pin (13) from the Inner Tube (1) of the Jack.
6. Loosen the trailer's hitch retainer mechanism. Next, slowly turn the Handle (12) *counterclockwise* to lower the trailer's hitch firmly onto the vehicle's hitch ball. Then, tighten the trailer's hitch retainer mechanism. (See Figures A, and B.)
7. Continue turning the Handle (12) *counterclockwise* until the Inner Tube (1) is fully retracted into the Outer Tube (6). Then, re-insert the Lock Pin (13) in the hole nearest the bottom edge of the Outer Tube (6). (See Figures A, B, and Assy. Diagram.)
8. Remove the *Pin* that comes with the Round Jack Mount. Turn the Jack to its horizontal position (parallel to the trailer tongue). Then, re-insert the Pin in the Round Jack Mount to lock the Jack horizontally in place. (See Figures A, and B.)

To Level And Move The Trailer, Motorhome, Etc.:

1. In the unhitched mode, the trailer, smaller motorhome, etc., can be leveled or adjusted in pitch angle by turning the Handle (12) in either a clockwise or counterclockwise direction to lengthen or shorten the Jack.
2. In this mode the base of the Inner Tube (1) acts as a *sled* that can be manually moved a short distance from one position to another, but only with suitable precautions against uncontrolled movement.

CAUTION! Avoid situations that could allow the trailer to roll away; resulting in personal property damage and/or injury to people in the area. If the trailer is to be stored in this mode, it is recommended that the Handle be removed and that wheels of the trailer, smaller motorhome, etc., be properly chocked. (See Figure B, and Assy. Diagram.)

INSPECTION, MAINTENANCE, AND CLEANING

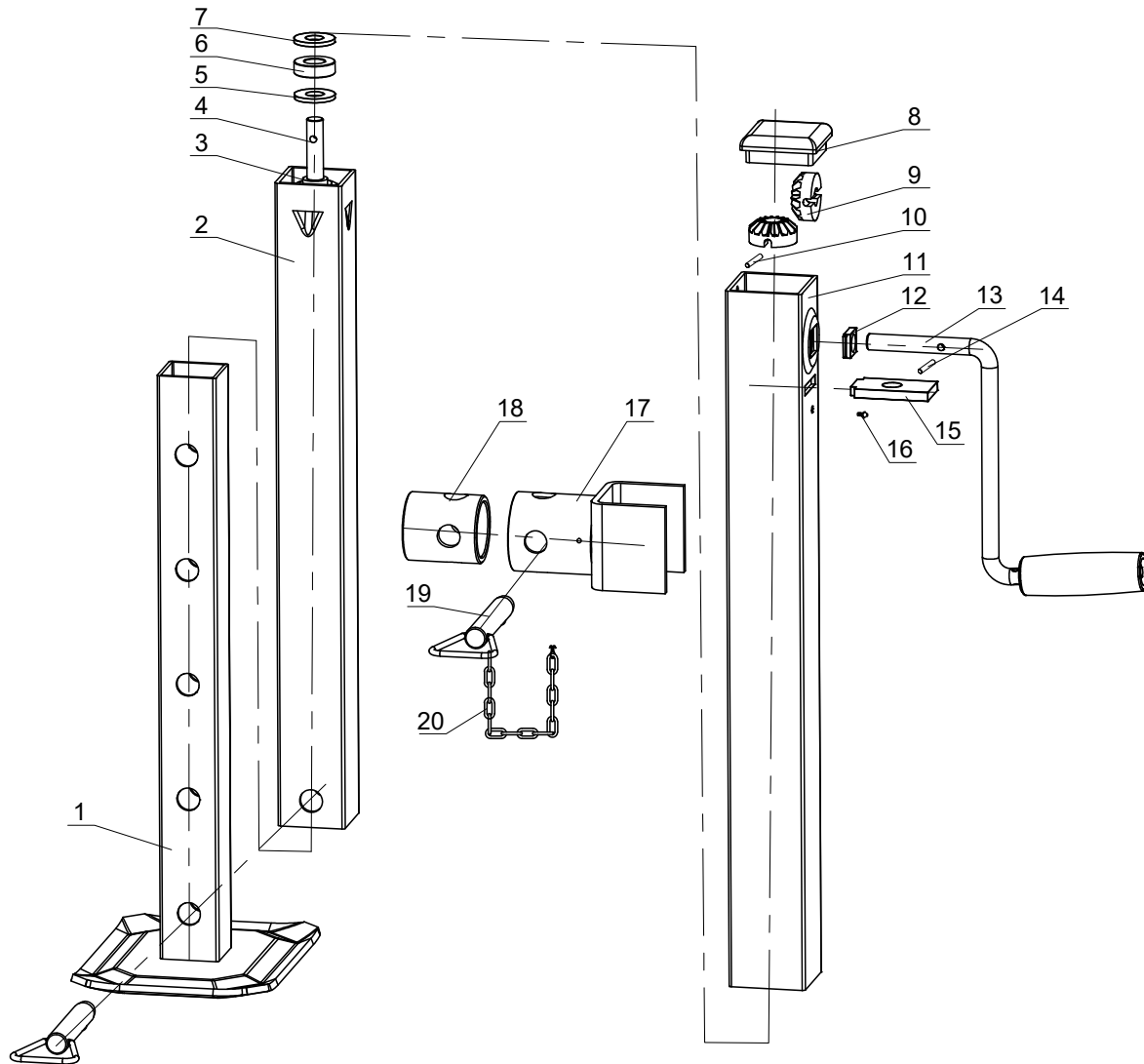
CAUTION! Always release load from the Jack before performing any inspection, maintenance, or cleaning.

1. **BEFORE EACH USE**, inspect the general condition of the Jack. Check for loose screws, misalignment or binding of moving parts, cracked, bent, or broken parts and any other condition that may affect its safe operation. Check the Round Jack Mount (not provided) regularly to assure the welds remain solid. Inspect the entire unit for corrosion that may be caused by exposure to salt water or weather. If abnormal noise or vibration occurs, have the problem corrected before further use.
Do not use damaged equipment.
2. **IF THE JACK HAS BEEN USED IN SALT WATER**, rinse the entire unit thoroughly with fresh water. Then, use a premium quality, lightweight oil to lubricate all moving parts.
3. **KEEP ALL PARTS LIGHTLY LUBRICATED TO PREVENT CORROSION.** If corrosion develops, you may paint exterior parts of the Jack to arrest and prevent further damage.

Parts List and Assembly Diagram

Part	Description	Qty.
1	Inner Tube	1
2	Middle Tube	1
3	Nut	1
4	Screw Rod	1
5	Washer	1
6	Bearing	1
7	Washer	1
8	Plastic Cap	1
9	Gear	2
10	Pin	1

Part	Description	Qty.
11	Outer Tube	1
12	Bushing	1
13	Handle Assy	1
14	Slot pin	1
15	Bracket	1
16	Grease Fitting	1
17	Welding Bracket	1
18	Pipe	1
19	Quick Pin	2
20	Chain	1



Record Product's Serial Number Here: _____

Note: If product has no serial number, record month and year of purchase instead.

Note: Some parts are listed and shown for illustration purposes only, and are not available individually as replacement parts. Specify UPC 193175421821 when ordering parts.

PLEASE READ THE FOLLOWING CAREFULLY

THE MANUFACTURER AND/OR DISTRIBUTOR HAS PROVIDED THE PARTS DIAGRAM IN THIS MANUAL AS A REFERENCE TOOL ONLY. NEITHER THE MANUFACTURER NOR DISTRIBUTOR MAKES ANY REPRESENTATION OR WARRANTY OF ANY KIND TO THE BUYER THAT HE OR SHE IS QUALIFIED TO MAKE ANY REPAIRS TO THE PRODUCT OR THAT HE OR SHE IS QUALIFIED TO REPLACE ANY PARTS OF THE PRODUCT. IN FACT, THE MANUFACTURER AND/OR DISTRIBUTOR EXPRESSLY STATES THAT ALL REPAIRS AND PARTS REPLACEMENTS SHOULD BE UNDERTAKEN BY CERTIFIED AND LICENSED TECHNICIANS AND NOT BY THE BUYER. THE BUYER ASSUMES ALL RISK AND LIABILITY ARISING OUT OF HIS OR HER REPAIRS TO THE ORIGINAL PRODUCT OR REPLACEMENT PARTS THERETO, OR ARISING OUT OF HIS OR HER INSTALLATION OF REPLACEMENT PARTS THERETO.

Limited 90 Day Warranty

Harbor Freight Tools Co. makes every effort to assure that its products meet high quality and durability standards, and warrants to the original purchaser that this product is free from defects in materials and workmanship for the period of 90 days from the date of purchase. This warranty does not apply to damage due directly or indirectly, to misuse, abuse, negligence or accidents, repairs or alterations outside our facilities, criminal activity, improper installation, normal wear and tear, or to lack of maintenance. We shall in no event be liable for death, injuries to persons or property, or for incidental, contingent, special or consequential damages arising from the use of our product. Some states do not allow the exclusion or limitation of incidental or consequential damages, so the above limitation of exclusion may not apply to you. THIS WARRANTY IS EXPRESSLY IN LIEU OF ALL OTHER WARRANTIES, EXPRESS OR IMPLIED, INCLUDING THE WARRANTIES OF MERCHANTABILITY AND FITNESS.

To take advantage of this warranty, the product or part must be returned to us with transportation charges prepaid. Proof of purchase date and an explanation of the complaint must accompany the merchandise. If our inspection verifies the defect, we will either repair or replace the product at our election or we may elect to refund the purchase price if we cannot readily and quickly provide you with a replacement. We will return repaired products at our expense, but if we determine there is no defect, or that the defect resulted from causes not within the scope of our warranty, then you must bear the cost of returning the product.

This warranty gives you specific legal rights and you may also have other rights which vary from state to state.



26677 Agoura Road • Calabasas, CA 91302 • 1-888-866-5797