

Owner's Manual & Safety Instructions

Save This Manual Keep this manual for the safety warnings and precautions, assembly, operating, inspection, maintenance and cleaning procedures. Write the product's serial number in the back of the manual near the assembly diagram (or month and year of purchase if product has no number). Keep this manual and the receipt in a safe and dry place for future reference.

21h

PITTSBURGH **MOTORCYCLE**

57775

MOTORCYCLE WHEEL VISE ACCESSORY



Lift Table not included.

Visit our website at: <http://www.harborfreight.com>
Email our technical support at: productsupport@harborfreight.com

When unpacking, make sure that the product is intact and undamaged. If any parts are missing or broken, please call 1-888-866-5797 as soon as possible.

Copyright© 2021 by Harbor Freight Tools®. All rights reserved.
No portion of this manual or any artwork contained herein may be reproduced in any shape or form without the express written consent of Harbor Freight Tools. Diagrams within this manual may not be drawn proportionally. Due to continuing improvements, actual product may differ slightly from the product described herein.
Tools required for assembly and service may not be included.

⚠ WARNING

Read this material before using this product.
Failure to do so can result in serious injury.
SAVE THIS MANUAL.

Table of Contents

Safety	2	Maintenance	5
Setup	3	Parts List and Diagram	6
Operating Instructions	4	Warranty	8






SAFETY

SETUP

OPERATION

MAINTENANCE

WARNING SYMBOLS AND DEFINITIONS

	This is the safety alert symbol. It is used to alert you to potential personal injury hazards. Obey all safety messages that follow this symbol to avoid possible injury or death.
	Indicates a hazardous situation which, if not avoided, will result in death or serious injury.
	Indicates a hazardous situation which, if not avoided, could result in death or serious injury.
	Indicates a hazardous situation which, if not avoided, could result in minor or moderate injury.
	Addresses practices not related to personal injury.

IMPORTANT SAFETY INFORMATION

Failure to heed these warnings may result in personal injury and/or property damage:

1. Study, understand, and follow all instructions before operating this device.
2. Wear ANSI-approved safety goggles and heavy-duty work gloves during use.
3. Inspect before every use; do not use if parts are loose or damaged.
4. Secure load with appropriate restraint device.
5. No alterations shall be made to this product.
6. Stay alert. Watch what you are doing, and use common sense when operating a Lift. Do not use Lift while tired or under the influence of drugs, alcohol, or medication. A moment of inattention while operating lifts may result in serious personal injury
7. Before use, read manufacturer's instruction manual for the ATV or motorcycle being lifted.
8. When servicing the Vise, use only identical replacement parts - refer to attached, product-specific parts lists and diagrams. Follow instructions in the "Maintenance and Servicing" section of this manual. Use of unauthorized parts or failure to follow maintenance instructions may create a risk of injury.
9. Maintain labels and nameplates on the Vise. These carry important information. If unreadable or missing, contact Harbor Freight Tools for a replacement.
10. The warnings, precautions, and instructions discussed in this manual cannot cover all possible conditions and situations that may occur. The operator must understand that common sense and caution are factors, which cannot be built into this product, but must be supplied by the operator.



SAVE THESE INSTRUCTIONS.

Specifications

Maximum Tire Width	170mm
--------------------	-------

ASSEMBLY



Read the **ENTIRE IMPORTANT SAFETY INFORMATION** section at the beginning of this manual including all text under subheadings therein before set up or use of this product.

Note: For additional information regarding the parts listed in the following pages, refer to the Assembly Diagram at the end of the manual.

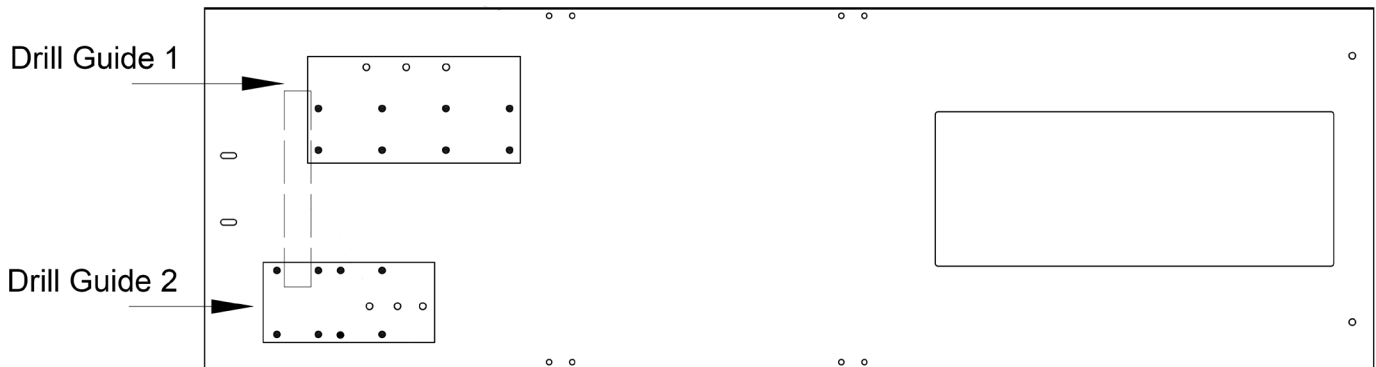
1. Remove existing clamp, if installed, from platform.
2. Identify the drilling guide sheets, named "Drill Guide 1" and "Drill Guide 2." Carefully align the white/solid holes in the Guides with the existing wheel clamp mounting holes of the platform as shown below.
3. Attach the guide sheets to the platform using the adhesive at the four corners of the guides.

Note: Make sure Drill Guides are parallel to lift table and that holes align properly before drilling. Use a light below the platform if needed to better align the existing holes.

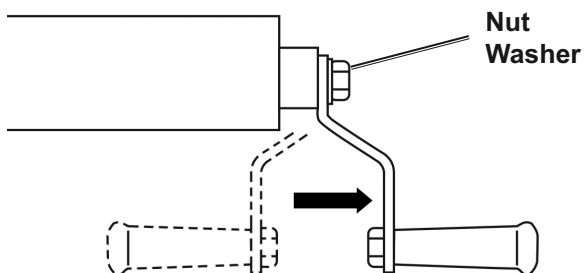
4. Use a 12.5 mm (or 1/2 in.) metal drill bit (not included) in a power drill (not included) to make the holes.

Note: Make sure there are no obstructions beneath platform before drilling.

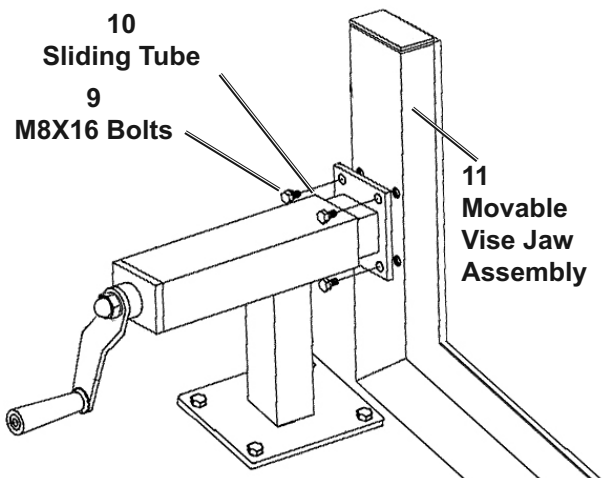
5. Place bit in center of black solid holes on guide sheets and drill through platform - 16 holes total.
6. Remove guide sheets.



7. Use a tool to unscrew and remove the Nut and Washer holding the Handle. Position the Handle in opposite direction and reinstall with the Washer and Nut.

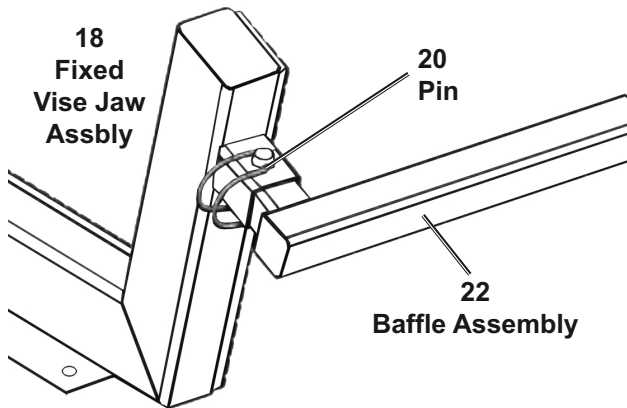


8. Attach the Movable Jaw Sliding Tube (10) to the Movable Vise Jaw Assembly (11) with four M8x16 bolts (9).



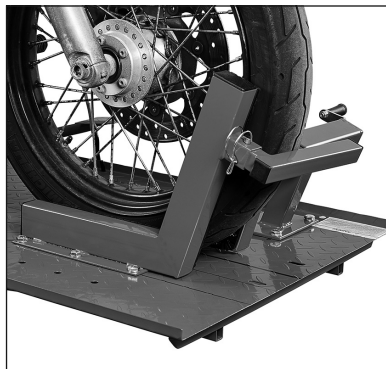
ASSEMBLY (continued)

- Insert Baffle Assembly (22) into Fixed Vise Jaw Assembly (18) and secure with Pin (20).
- Mount final assemblies to the platform with M10x25 Bolts (10), Washers (6) and Nuts (14). Use either set of holes as needed.



Operating Instructions

- Refer to the Motorcycle Lift instructions to load motorcycle onto the platform.
- Push the motorcycle forward until it contacts the Baffle and is against the Fixed Vise Jaw.
- Turn Handle to bring the Movable Vise Jaw against the wheel, securing motorcycle in upright position.
- Secure the motorcycle to your Lift platform with belts or straps (not included).



Usage shown above.
Wheel and Lift not included.

Maintenance and Servicing



Procedures not specifically explained in this manual must be performed only by a qualified technician.

!WARNING

TO PREVENT SERIOUS INJURY FROM TOOL FAILURE: Do not use damaged equipment. If abnormal noise or vibration occurs, have the problem corrected before further use.

1. **BEFORE EACH USE**, inspect the general condition of the tool. Check for loose screws, misalignment or binding of moving parts, cracked or broken parts, and any other condition that may affect its safe operation. Do not use damaged equipment.
2. **AFTER USE**, wipe external surfaces of the tool with clean cloth.

PLEASE READ THE FOLLOWING CAREFULLY

THE MANUFACTURER AND/OR DISTRIBUTOR HAS PROVIDED THE PARTS LIST AND ASSEMBLY DIAGRAM IN THIS MANUAL AS A REFERENCE TOOL ONLY. NEITHER THE MANUFACTURER OR DISTRIBUTOR MAKES ANY REPRESENTATION OR WARRANTY OF ANY KIND TO THE BUYER THAT HE OR SHE IS QUALIFIED TO MAKE ANY REPAIRS TO THE PRODUCT, OR THAT HE OR SHE IS QUALIFIED TO REPLACE ANY PARTS OF THE PRODUCT. IN FACT, THE MANUFACTURER AND/OR DISTRIBUTOR EXPRESSLY STATES THAT ALL REPAIRS AND PARTS REPLACEMENTS SHOULD BE UNDERTAKEN BY CERTIFIED AND LICENSED TECHNICIANS, AND NOT BY THE BUYER. THE BUYER ASSUMES ALL RISK AND LIABILITY ARISING OUT OF HIS OR HER REPAIRS TO THE ORIGINAL PRODUCT OR REPLACEMENT PARTS THERETO, OR ARISING OUT OF HIS OR HER INSTALLATION OF REPLACEMENT PARTS THERETO.

Record Product's Serial Number Here: _____

Note: If product has no serial number, record month and year of purchase instead.

Note: Some parts are listed and shown for illustration purposes only, and are not available individually as replacement parts. Specify UPC 193175422163 when ordering parts.

Parts List

SAFETY

SETUP

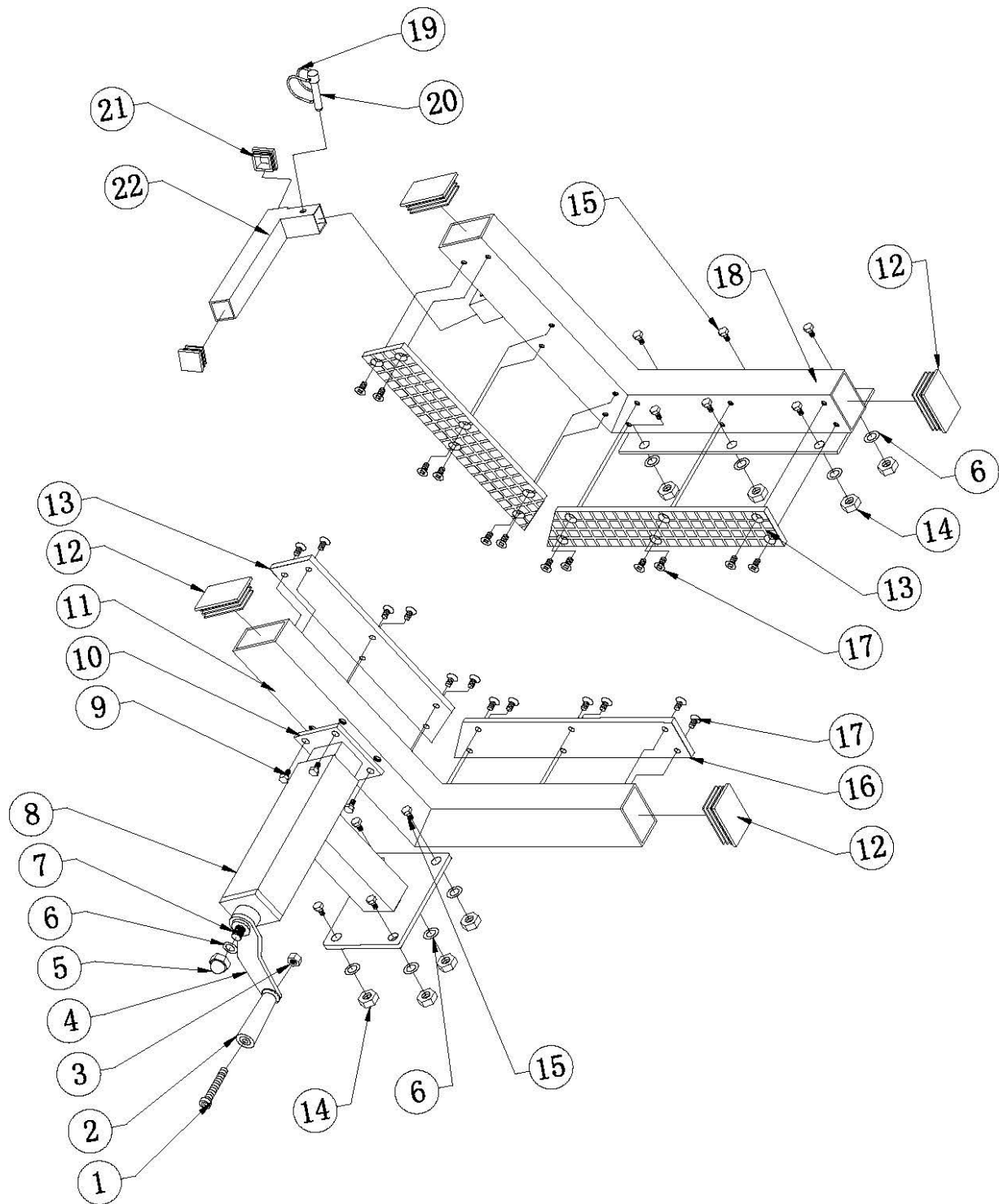
OPERATION

MAINTENANCE

Part	Description	Qty
1	Screw	1
2	Handle	1
3	Nut	1
4	Wheel Clamping Handle	1
5	Nut	1
6	Flat Washer	11
7	Screw	1
8	Movable Jaw Holder	1
9	Bolt M8x16	4
10	Movable Jaw Sliding Tube	1
11	Movable Vise Jaw Assembly	1

Part	Description	Qty
12	Wheel Clamp Pipe Plug	4
13	Rubber Board-II	2
14	Nut	10
15	Bolt M10x25	10
16	Rubber Board-1	2
17	Screw	24
18	Fixed Vise Jaw Assembly	1
19	Latch Ring	1
20	Pin	1
21	Plug	2
22	Baffle Assembly	1

Assembly Diagram



SAFETY

SETUP

OPERATION

MAINTENANCE

Limited 90 Day Warranty

Harbor Freight Tools Co. makes every effort to assure that its products meet high quality and durability standards, and warrants to the original purchaser that this product is free from defects in materials and workmanship for the period of 90 days from the date of purchase. This warranty does not apply to damage due directly or indirectly, to misuse, abuse, negligence or accidents, repairs or alterations outside our facilities, criminal activity, improper installation, normal wear and tear, or to lack of maintenance. We shall in no event be liable for death, injuries to persons or property, or for incidental, contingent, special or consequential damages arising from the use of our product. Some states do not allow the exclusion or limitation of incidental or consequential damages, so the above limitation of exclusion may not apply to you. THIS WARRANTY IS EXPRESSLY IN LIEU OF ALL OTHER WARRANTIES, EXPRESS OR IMPLIED, INCLUDING THE WARRANTIES OF MERCHANTABILITY AND FITNESS.

To take advantage of this warranty, the product or part must be returned to us with transportation charges prepaid. Proof of purchase date and an explanation of the complaint must accompany the merchandise. If our inspection verifies the defect, we will either repair or replace the product at our election or we may elect to refund the purchase price if we cannot readily and quickly provide you with a replacement. We will return repaired products at our expense, but if we determine there is no defect, or that the defect resulted from causes not within the scope of our warranty, then you must bear the cost of returning the product.

This warranty gives you specific legal rights and you may also have other rights which vary from state to state.

PITTSBURGH[®] MOTORCYCLE

26541 Agoura Road • Calabasas, CA 91302 • 1-888-866-5797