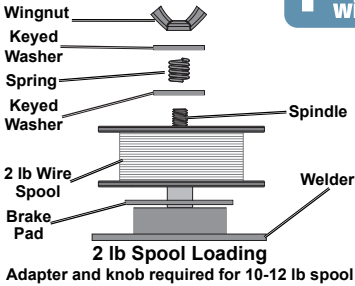
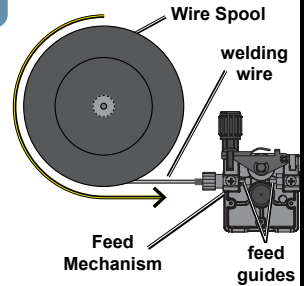


⚠️ WARNING To prevent serious injury, read manual warnings and instructions before use.

1 Connect cables as needed for flux wire welding - see back of guide.



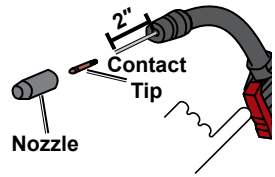
2 Install wire spool. Insert wire through both feed guides and clamp it into feed mechanism. See manual if changing wire size or using solid wire.



⚠️ WARNING

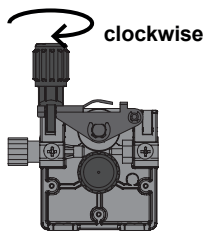
To prevent serious injury, read manual warnings and instructions before use.

3 Take off nozzle and tip, plug welder in, turn it on, and press trigger until wire comes out.

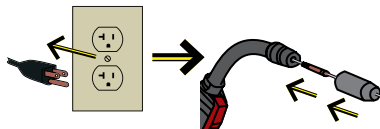
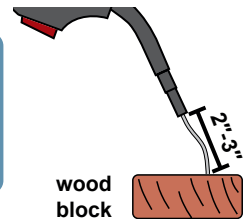


⚠️ WARNING

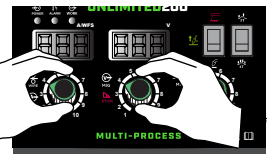
To prevent fire and serious injury, keep torch and wire clear of grounded objects while welder plugged in.



3 Incrementally tighten wire feed tension knob clockwise until wire will bend from feed tension at 2"-3".

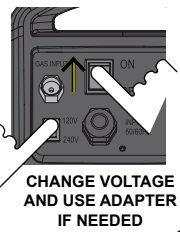
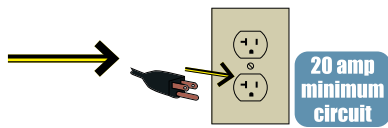


4 Unplug welder and replace nozzle and tip. Adjust welder settings according to chart.



HOLD GUN CLEAR

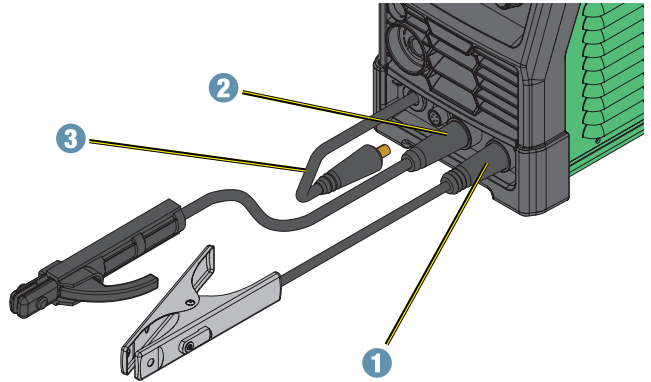
5 Hold gun clear of workpiece, then plug in welder and turn it on.



⚠ WARNING To prevent serious injury, read manual warnings and instructions before use.

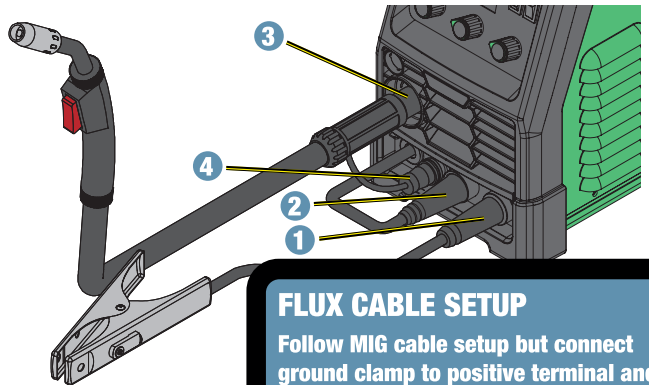
STICK CABLE SETUP

1. Connect ground clamp to negative terminal.
2. Connect electrode holder to positive terminal.
3. Leave wire feed power disconnected.



MIG CABLE SETUP

1. Connect ground clamp to negative terminal.
2. Connect wire feed power to positive terminal.
3. Connect MIG gun to wire feed.
4. Connect wire feed control.



FLUX CABLE SETUP

Follow MIG cable setup but connect ground clamp to positive terminal and wire feed power to negative terminal.

TIG CABLE SETUP

1. Connect ground clamp to positive terminal.
2. Connect TIG torch to negative terminal.
3. Connect gas line to gas regulator.
4. Leave wire feed power disconnected.

