

Owner's Manual & Safety Instructions

Save This Manual Keep this manual for the safety warnings and precautions, assembly, operating, inspection, maintenance and cleaning procedures. Write the product's serial number in the back of the manual near the assembly diagram (or month and year of purchase if product has no number). Keep this manual and the receipt in a safe and dry place for future reference.

20k

BADLAND®

WINCH FAIRLEAD MOUNT



Visit our website at: <http://www.harborfreight.com>
Email our technical support at: productsupport@harborfreight.com

58019

When unpacking, make sure that the product is intact and undamaged. If any parts are missing or broken, please call 1-888-866-5797 as soon as possible.

Copyright© 2020 by Harbor Freight Tools®. All rights reserved.

No portion of this manual or any artwork contained herein may be reproduced in any shape or form without the express written consent of Harbor Freight Tools. Diagrams within this manual may not be drawn proportionally. Due to continuing improvements, actual product may differ slightly from the product described herein. Tools required for assembly and service may not be included.

⚠WARNING

Read this material before using this product. Failure to do so can result in serious injury. **SAVE THIS MANUAL.**

Specifications

Winch Compatibility	ZXR 9,000 lb. ZXR 12,000 lb. Apex 12,000 lb. Badland Winches
Mounting Pattern	10" x 4-1/2"

Important Safety Information

Installation Precautions

1. Install only according to these instructions. Improper installation can create hazards.
2. Verify Fairlead Mount is compatible with the winch it is being mounted on.
3. Prior to installing, read and understand instructions and safety precautions outlined in winch manufacturer's manual.
4. When installing the Fairlead Mount to a winch mounted on a vehicle, make sure vehicle's engine is off and emergency brake is set.
5. Wear ANSI-approved safety goggles and heavy-duty work gloves during mounting.
6. Keep work area clean and well lit.
7. Keep bystanders out of the area during mounting and use.
8. Do not mount or use winch when tired or when under the influence of alcohol, drugs or medication.
9. Weight capacity and other product capabilities apply to properly and completely assembled product only.

Use Precautions

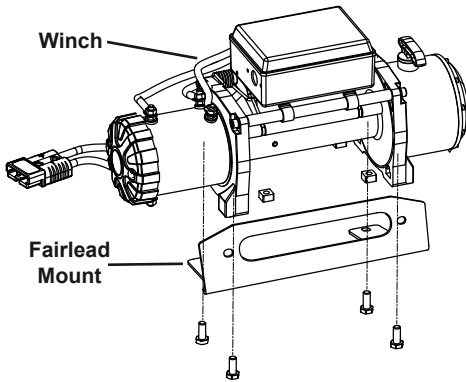
1. This product is not a toy. Do not allow children to play with or near this item.
2. Use as intended only. This Fairlead Mount is designed to be used with 9,000 & 12,000 lb. Badland Winches. Do not weld, bend, drill new holes in, or otherwise modify this item. Modifications may compromise the structure of this product, leading to sudden failure under load and decreased capacity.
3. Inspect before every use; do not use if parts are loose or damaged.
4. Do not exceed 12,000 lb. capacity. Mounting location and hardware must support load. Capacity is limited by the winch unit is mounted on. **Be aware of dynamic loading!** Sudden load movement may briefly create excess load causing product failure.
5. Maintain product labels and nameplates. These carry important safety information. If unreadable or missing, contact Harbor Freight Tools for a replacement.

Mounting Instructions

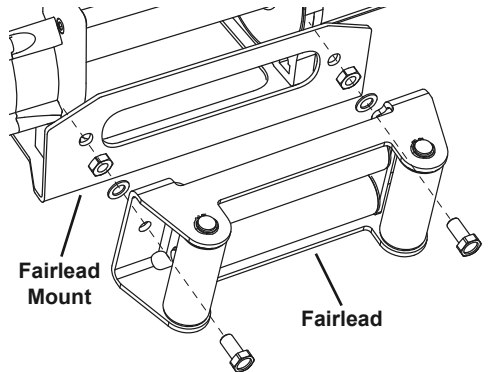


Read the **ENTIRE IMPORTANT SAFETY INFORMATION** section at the beginning of this document including all text under subheadings therein before set up or use of this product.

1. **Avoid accidental damage to Fairlead Mount and/or winch to which Mount will be installed.** Prior to installing the Fairlead Mount on winch, read and understand instructions and safety precautions as outlined in winch manufacturer's manual.
2. **CAUTION!** Prior to attaching the Fairlead Mount to a winch mounted on a vehicle, make sure vehicle's engine is off and emergency brake is set.
3. Align mounting holes in Fairlead Mount with the bolt holes in the base of the winch. Securely attach Fairlead Mount to winch with 4 sets of appropriate size ASTM grade 5 or metric grade 8.8 bolts and nuts (not included).
4. Using the appropriate size ASTM grade 5 or metric grade 8.8 bolts, washers, lock washers, and nuts (not included), attach winch's fairlead onto the Fairlead Mount. Then run the winch hook through the fairlead.



Attach Fairlead Mount to Winch



Attach Fairlead to Fairlead Mount

Record Serial Number Here:

Note: If product has no serial number, record month and year of purchase instead.

UPC 193175430847

Limited 90 Day Warranty

Harbor Freight Tools Co. makes every effort to assure that its products meet high quality and durability standards, and warrants to the original purchaser that this product is free from defects in materials and workmanship for the period of 90 days from the date of purchase. This warranty does not apply to damage due directly or indirectly, to misuse, abuse, negligence or accidents, repairs or alterations outside our facilities, criminal activity, improper installation, normal wear and tear, or to lack of maintenance. We shall in no event be liable for death, injuries to persons or property, or for incidental, contingent, special or consequential damages arising from the use of our product. Some states do not allow the exclusion or limitation of incidental or consequential damages, so the above limitation of exclusion may not apply to you. THIS WARRANTY IS EXPRESSLY IN LIEU OF ALL OTHER WARRANTIES, EXPRESS OR IMPLIED, INCLUDING THE WARRANTIES OF MERCHANTABILITY AND FITNESS.

To take advantage of this warranty, the product or part must be returned to us with transportation charges prepaid. Proof of purchase date and an explanation of the complaint must accompany the merchandise. If our inspection verifies the defect, we will either repair or replace the product at our election or we may elect to refund the purchase price if we cannot readily and quickly provide you with a replacement. We will return repaired products at our expense, but if we determine there is no defect, or that the defect resulted from causes not within the scope of our warranty, then you must bear the cost of returning the product.

This warranty gives you specific legal rights and you may also have other rights which vary from state to state.

BADLAND®