

# Owner's Manual & Safety Instructions

**Save This Manual** Keep this manual for the safety warnings and precautions, assembly, operating, inspection, maintenance and cleaning procedures. Write the product's serial number in the back of the manual near the assembly diagram (or month and year of purchase if product has no number). Keep this manual and the receipt in a safe and dry place for future reference.

21a

# **HAULMASTER™**

## **SQUARE TUBE DROP-LEG TRAILER JACK**



5,000 lb Trailer Jack shown.

Visit our website at: <http://www.harborfreight.com>

Email our technical support at: [productsupport@harborfreight.com](mailto:productsupport@harborfreight.com)

57960 58021

When unpacking, make sure that the product is intact and undamaged. If any parts are missing or broken, please call 1-888-866-5797 as soon as possible.

Copyright© 2020 by Harbor Freight Tools®. All rights reserved.

No portion of this manual or any artwork contained herein may be reproduced in any shape or form without the express written consent of Harbor Freight Tools. Diagrams within this manual may not be drawn proportionally. Due to continuing improvements, actual product may differ slightly from the product described herein. Tools required for assembly and service may not be included.

### **⚠ WARNING**





Read this material before using this product. Failure to do so can result in serious injury. **SAVE THIS MANUAL.**

# Table of Contents

Safety .....	3	Maintenance .....	8
Specifications .....	4	Parts List and Diagrams .....	9
Installation .....	5	Warranty .....	12
Operation.....	6		



## WARNING SYMBOLS AND DEFINITIONS

	<p>This is the safety alert symbol. It is used to alert you to potential personal injury hazards. Obey all safety messages that follow this symbol to avoid possible injury or death.</p>
 <b>DANGER</b>	<p>Indicates a hazardous situation which, if not avoided, will result in death or serious injury.</p>
 <b>WARNING</b>	<p>Indicates a hazardous situation which, if not avoided, could result in death or serious injury.</p>
 <b>CAUTION</b>	<p>Indicates a hazardous situation which, if not avoided, could result in minor or moderate injury.</p>
<p><b>NOTICE</b></p> <p><b>CAUTION</b></p>	<p>Addresses practices not related to personal injury.</p>

SAFETY

INSTALLATION

OPERATION

MAINTENANCE

# IMPORTANT SAFETY INFORMATION

## WARNING

Read all safety warnings and instructions. Failure to follow the warnings and instructions may result in serious injury. Save all warnings and instructions for future reference.

## Basic Safety Information

Keep work area clean and well lit. Cluttered or dark areas invite accidents.

## Personal safety

1. **Stay alert, watch what you are doing and use common sense when operating a tool. Do not use a tool while you are tired or under the influence of drugs, alcohol or medication. A moment of inattention while operating tools may result in serious personal injury.**
2. **Use personal protective equipment. Always wear eye protection. Safety equipment such as non-skid safety shoes or a hard hat used for appropriate conditions will reduce personal injuries.**

## Service

Have your tool serviced by a qualified repair person using only identical replacement parts. This will ensure that the safety of the tool is maintained.

## Specific Safety Warnings

1. All welding must be performed by an AWS certified welder to meet all applicable safety regulations by DOT, NHTSA, and all other governmental and standards agencies.
2. Do not exceed rated capacity.
3. Use on flat, level, hard surface capable of supporting load.
4. Wear ANSI-approved safety goggles during use.
5. Prevent trailer wheels from moving using wheel chocks while raising or lowering.
6. Before towing, fully raise Trailer Jack.
7. Keep out from under jack and tongue when applying and releasing load or when jack is supporting load.
8. Inspect before use. Do not use if parts are loose or damaged.
9. Mount and use in accordance with the Department of Transportation (DOT) regulations.
10. Maintain labels and nameplates on the tool. These carry important safety information. If unreadable or missing, contact Harbor Freight Tools for a replacement.
11. Apply force to jack vertically only. Side forces will compromise the jack.
12. Do not use blocks for additional ground clearance.
13. Do not climb aboard any vehicle supported by jack.
14. This product is not a toy. Keep it out of reach of children.
15. Follow all state regulations for towing when using Trailer Jack, including using safety chains securely attached to the towing vehicle when the trailer is hooked to the vehicle.
16. Check ground clearance carefully after installing. Do not use on any road or driveway that requires more ground clearance than this jack provides.
17. Do not use for aircraft purposes.
18. The warnings, precautions, and instructions discussed in this instruction manual cannot cover all possible conditions and situations that may occur. It must be understood by the operator that common sense and caution are factors which cannot be built into this product, but must be supplied by the operator.



**SAVE THESE INSTRUCTIONS.**

## Functional Description

## Specifications

Model	57960	58021
Weight Capacity	5,000 lb.	10,000 lb.
Travel Length	14-1/2"	12-1/2"
Lift Range	25-1/4" – 39-3/4"	27-1/2" – 39-3/4"
Total Lift	28-1/8" travel length + drop leg	26" travel length + drop leg

## Components

SAFETY

INSTALLATION

OPERATION

MAINTENANCE

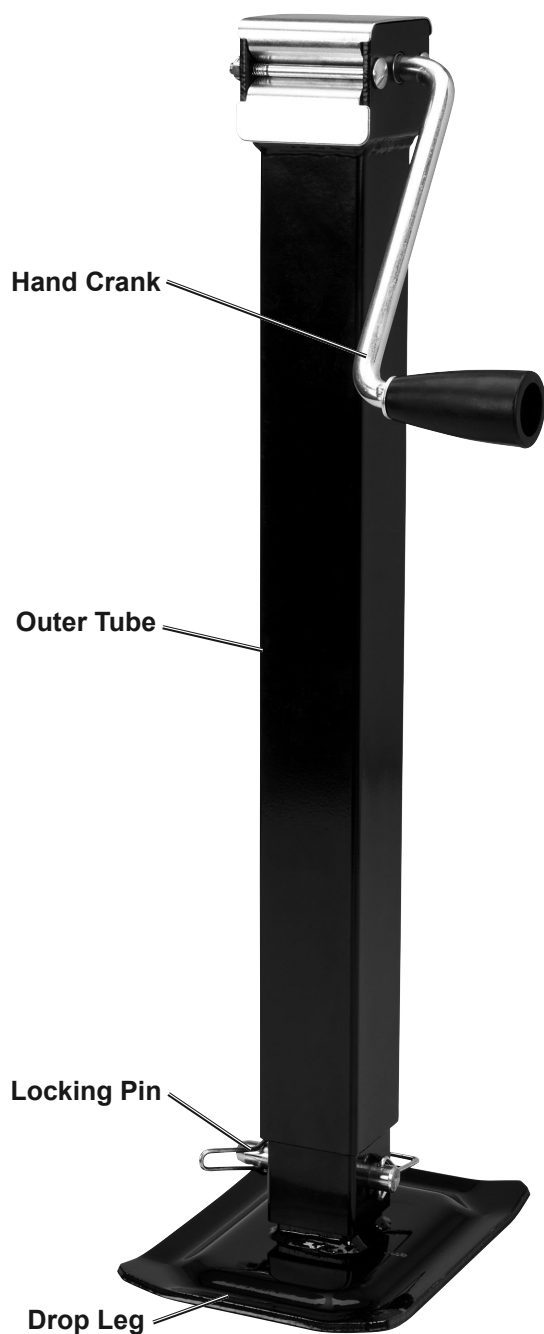


Figure A: 5,000 lb. Trailer Jack

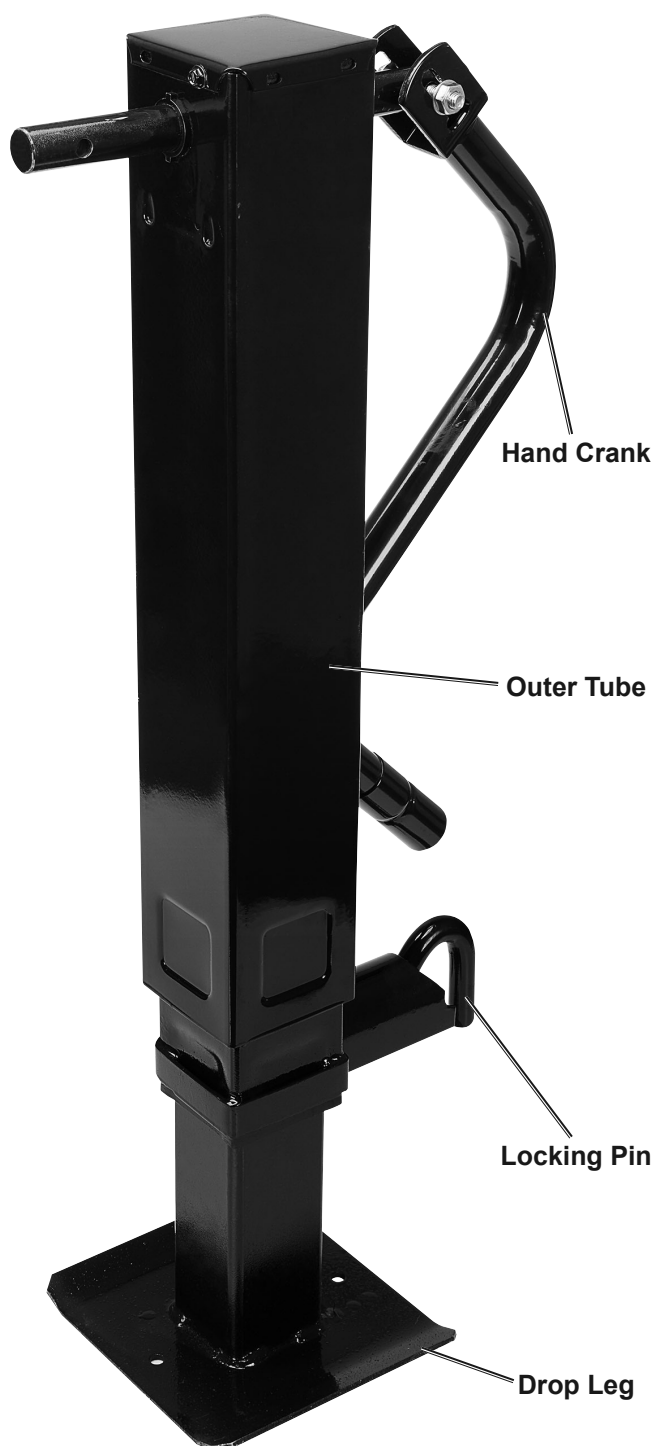


Figure B: 10,000 lb. Trailer Jack

## Installation Instructions



Read the **ENTIRE IMPORTANT SAFETY INFORMATION** section at the beginning of this manual including all text under subheadings therein before set up or use of this product.

## Mounting

### **⚠ WARNING**

**TO PREVENT SERIOUS INJURY AND DEATH FROM TRAILER JACK DETACHMENT OR FAILURE:**  
All welding must be performed by an AWS certified welder to meet all applicable safety regulations by DOT, NHTSA, and all other governmental and standards agencies.

1. All welding surfaces must be prepared and cleaned thoroughly to allow a proper weld to be created.
2. **5,000 lb. Trailer Jack minimum weld specifications:**  
Clamp the Outer Tube to the Trailer in the needed location and weld in 4 locations total, 2x 1" welds on each side as shown. Use 3/16" fillet welds.
3. **10,000 lb. Trailer Jack minimum weld specifications:**  
Clamp the Outer Tube to the Trailer in the needed location and weld in 4 locations total, 2x 3" welds on each side as shown. Use 1/4" fillet welds.

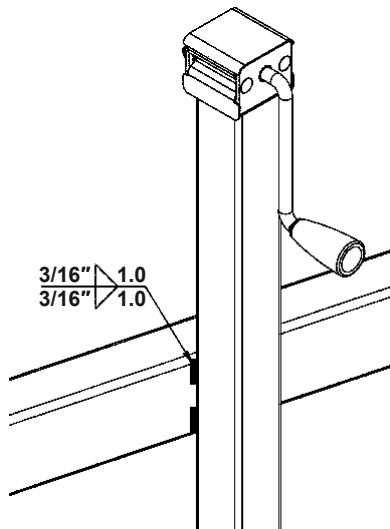


Figure C

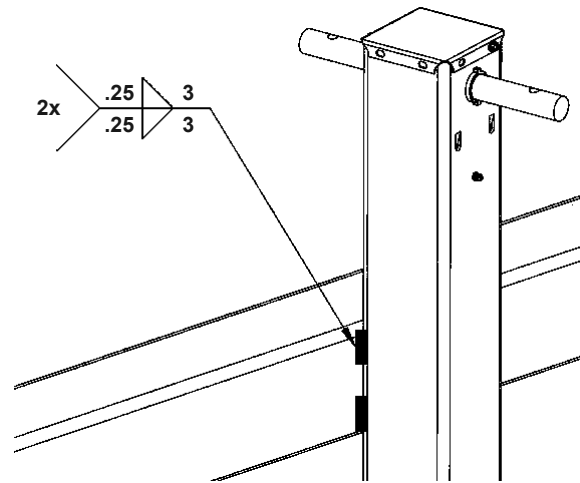


Figure D

4. After welding, welds must be properly cleaned and painted or otherwise protected from rust and deterioration.

## Operation Instructions



Read the **ENTIRE IMPORTANT SAFETY INFORMATION** section at the beginning of this manual including all text under subheadings therein before set up or use of this product.

### Spring-loaded Drop Leg (10,000 lb. Trailer Jack only)

#### **⚠️ WARNING**

##### **TO PREVENT SERIOUS INJURY:**

**Make sure Locking Pin inserts fully in Engage position with no gap between the Locking Pin and housing before applying load; do not use if Pin does not engage and insert fully.**

**Do not adjust Locking Pin under load.**

**Spring-loaded drop leg retracts forcefully. Carefully control drop leg before adjusting Locking Pin.**

1. The Drop Leg on this Trailer Jack is spring-loaded, and the Locking Pin has three positions:  
Disengaged (Horizontal, partially pulled out),  
Engaged (Vertical, not completely inserted),  
Engaged and Locked (Vertical, completely inserted)
2. **Disengaged:** (Horizontal, partially pulled out)
  - a. This position releases the Spring mechanism, allowing the Drop Leg to fall freely.
  - b. Keep clear from under the Drop Leg and carefully control it before adjusting the Locking Pin.
  - c. Turn the Locking Pin clockwise until it is horizontal to disengage it.
3. **Engaged:** (Vertical, not completely inserted)
  - a. This position engages the Spring mechanism, causing the Drop Leg to retract forcefully.
  - b. Keep clear from above the Drop Leg and carefully control it before adjusting the Locking Pin.
  - c. Turn the Locking Pin to align it vertically to engage the spring.
4. **Engaged and Locked:** (Vertical, completely inserted)
  - a. This position inserts the Locking Pin into an adjustment hole, locking the Drop Leg in place.
  - b. **WARNING! TO PREVENT SERIOUS INJURY: This is the only acceptable position the Locking Pin can be in before a load can be applied to the Trailer Jack.**
  - c. Turn the Locking Pin to align it vertically and adjust the Drop Leg until the Locking Pin inserts completely into an adjustment hole. The top portion of the pin should press against the housing with no gap.

## Mounting The Trailer to the Towing Vehicle

---

1. Before mounting, chock the trailer wheels to prevent the trailer from rolling.
2. Rotate the Crank to raise the trailer to the level of the towing vehicle's hitch.
3. If needed, the Locking Pin can be temporarily pulled out to allow the Drop Leg to be adjusted.  
**WARNING! TO PREVENT SERIOUS INJURY: Do not overextend the Drop Leg.** Make sure to secure the Locking Pin back in place after adjustment. For the 5,000 lb. Trailer Jack, make sure that the spring locks the Locking Pin in place.
4. With the assistance of a spotter, back the vehicle to the trailer.
5. Mount the trailer onto the towing vehicle's hitch.
6. Turn the Crank to retract the Jack slightly, lowering the trailer and transferring its weight onto the towing vehicle.
7. Once trailer is fully engaged, continue to retract Jack up to the "STOP" label on the Inner Tube. Trailer Jack must always be fully retracted when towing the trailer.
8. Attach an appropriate safety chain (sold separately).

## Dismounting The Trailer from the Towing Vehicle

---

1. Before dismounting, chock the trailer wheels to prevent the trailer from rolling.
2. Rotate the Crank to extend the Jack and raise the trailer.
3. Continue to extend just enough for the Trailer Jack to take the weight of the trailer. This will make it easier to disengage the trailer hitch.
4. Disengage the trailer hitch, any safety chains or other connections, between the vehicle and the trailer.
5. You may need to extend the Jack further to clear the trailer hitch. When the vehicle is completely clear, and it is safe to do so, drive the vehicle away from the trailer.

**CAUTION:** Have a spotter watch this operation to be sure the trailer is clear of the vehicle.

## Inspection, Testing, and Maintenance



Procedures not specifically explained in this manual must be performed only by a qualified technician.

### **WARNING**

#### **TO PREVENT SERIOUS INJURY:**

Remove load from Trailer Jack, park towing vehicle and trailer on flat, level surface, and chock tires before performing any inspection, maintenance, or cleaning procedures.

#### **TO PREVENT SERIOUS INJURY FROM TOOL FAILURE:**

Do not use damaged equipment. If abnormal noise or vibration occurs, have the problem corrected before further use.

## Cleaning, Maintenance, and Lubrication

1. **BEFORE EACH USE**, inspect the general condition of the tool. Check for:
  - loose hardware,
  - misalignment or binding of moving parts,
  - cracked or broken parts, and
  - any other condition that may affect its safe operation.
2. **AFTER USE**, wipe external surfaces of the tool with clean cloth.
3. At least annually, apply a small amount of automotive grease (not included) to the internal gearing after removing the Cover. Rotate the Hand Crank to distribute the grease evenly.
4. A lightweight oil must be applied periodically at both sides of the Trailer Jack where the Hand Crank enters and exits it.

## PLEASE READ THE FOLLOWING CAREFULLY

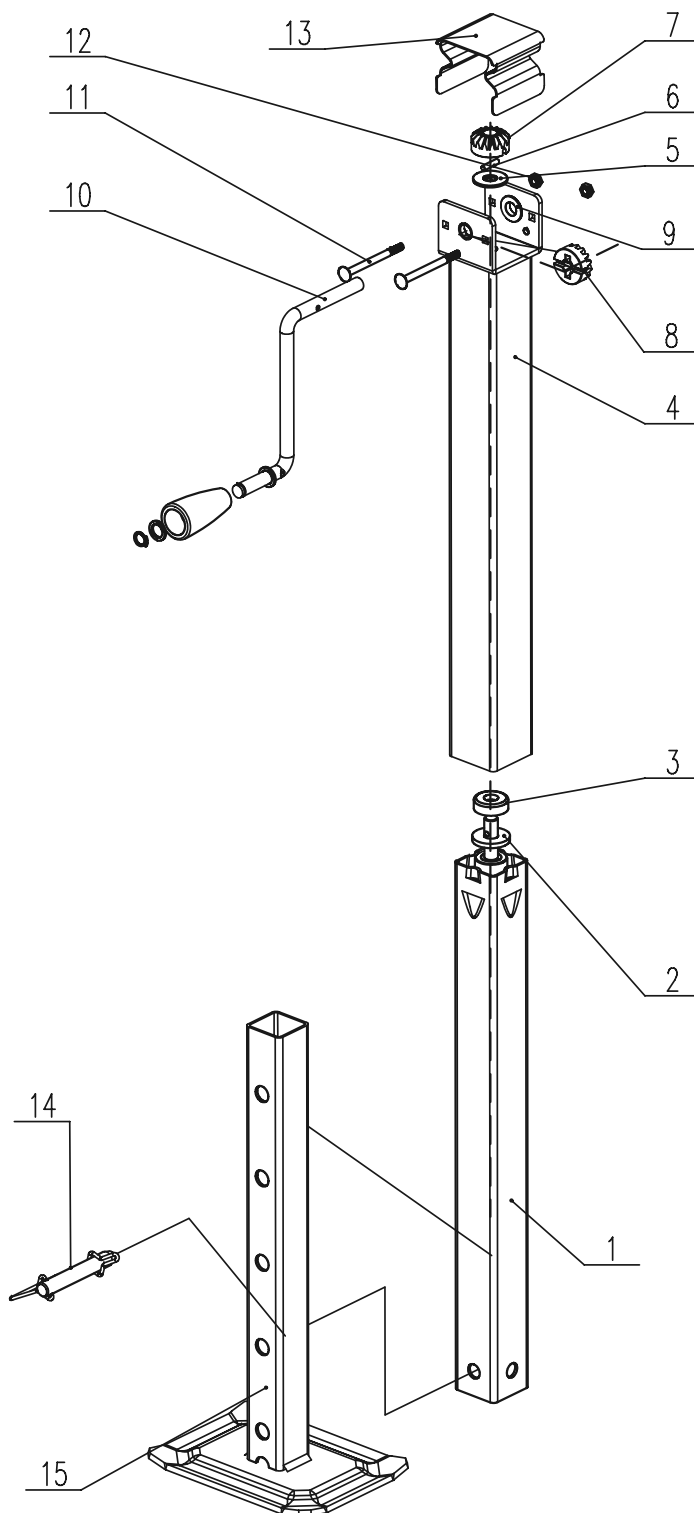
THE MANUFACTURER AND/OR DISTRIBUTOR HAS PROVIDED THE PARTS LIST AND ASSEMBLY DIAGRAM IN THIS MANUAL AS A REFERENCE TOOL ONLY. NEITHER THE MANUFACTURER OR DISTRIBUTOR MAKES ANY REPRESENTATION OR WARRANTY OF ANY KIND TO THE BUYER THAT HE OR SHE IS QUALIFIED TO MAKE ANY REPAIRS TO THE PRODUCT, OR THAT HE OR SHE IS QUALIFIED TO REPLACE ANY PARTS OF THE PRODUCT. IN FACT, THE MANUFACTURER AND/OR DISTRIBUTOR EXPRESSLY STATES THAT ALL REPAIRS AND PARTS REPLACEMENTS SHOULD BE UNDERTAKEN BY CERTIFIED AND LICENSED TECHNICIANS, AND NOT BY THE BUYER. THE BUYER ASSUMES ALL RISK AND LIABILITY ARISING OUT OF HIS OR HER REPAIRS TO THE ORIGINAL PRODUCT OR REPLACEMENT PARTS THERETO, OR ARISING OUT OF HIS OR HER INSTALLATION OF REPLACEMENT PARTS THERETO.



## 5,000 lb. Trailer Jack Parts List and Diagram

Part	Description	Qty
1	Asm., Inner Tube	1
2	Support Washer	1
3	Thrust Bearing	1
4	Outer Tube Assembly	1
5	Washer	1
6	Pin-Dowel	1
7	Bevel Gear	1
8	Groove Pin	1

Part	Description	Qty
9	Bushing	2
10	Crank Assembly	1
11	Carriage Bolt	2
12	Nut, Lock	2
13	Cover	1
14	Lynch Pin Asm.	1
15	Dropleg Asm.	1



SAFETY

INSTALLATION

OPERATION

MAINTENANCE

# 10,000 lb. Trailer Jack Parts List

SAFETY

Part	Description	Qty
1	Asm.;Inner Tube	1
2	Nut	1
3	Screw	1
4	Support Washer	1
5	Thrust Bearing	1
6	Spacer	1
7	Pin	2
8	Outer Tube Assembly	1
9	Wear Plate	1

Part	Description	Qty
10	Straight Pin	2
11	Bevel Gear	1
12	Cross Shaft	1
13	Bushing	2
14	Bevel Pinion Gear	1
15	Spring	1
16	Cover	1
17	Screw	2
18	Fitting, Grease	2

INSTALLATION

OPERATION

MAINTENANCE

Record Product's Serial Number Here:

---

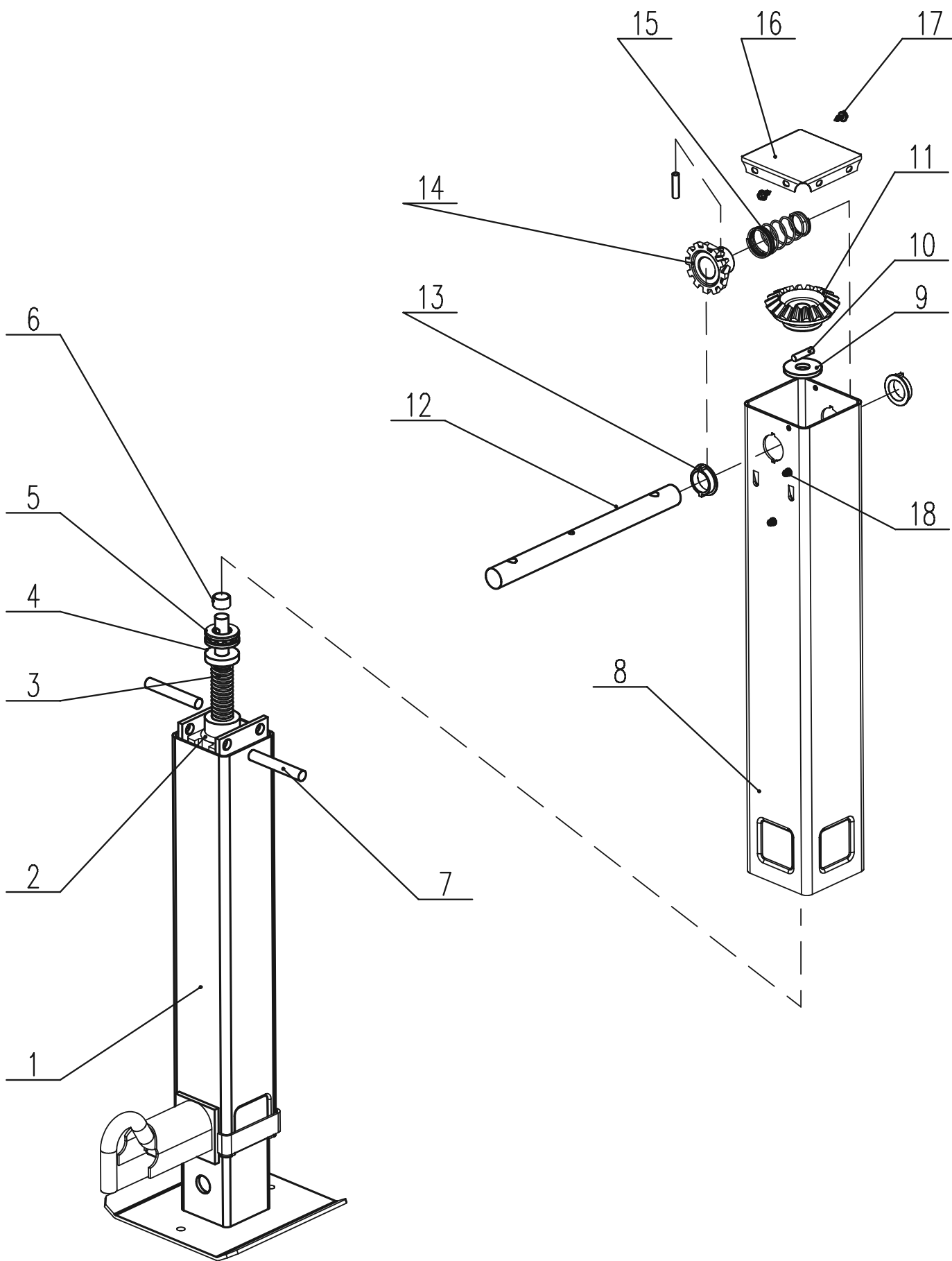
**Note:** If product has no serial number, record month and year of purchase instead.

**Note:** Some parts are listed and shown for illustration purposes only, and are not available individually as replacement parts. Parts may not be interchangeable. Specify UPC number when ordering:

5,000 lb. Rating: 193175428844

10,000 lb. Rating: 193175430878

# 10,000 lb. Trailer Jack Assembly Diagram



SAFETY

INSTALLATION

OPERATION

MAINTENANCE

## Limited 90 Day Warranty

Harbor Freight Tools Co. makes every effort to assure that its products meet high quality and durability standards, and warrants to the original purchaser that this product is free from defects in materials and workmanship for the period of 90 days from the date of purchase. This warranty does not apply to damage due directly or indirectly, to misuse, abuse, negligence or accidents, repairs or alterations outside our facilities, criminal activity, improper installation, normal wear and tear, or to lack of maintenance. We shall in no event be liable for death, injuries to persons or property, or for incidental, contingent, special or consequential damages arising from the use of our product. Some states do not allow the exclusion or limitation of incidental or consequential damages, so the above limitation of exclusion may not apply to you. THIS WARRANTY IS EXPRESSLY IN LIEU OF ALL OTHER WARRANTIES, EXPRESS OR IMPLIED, INCLUDING THE WARRANTIES OF MERCHANTABILITY AND FITNESS.

To take advantage of this warranty, the product or part must be returned to us with transportation charges prepaid. Proof of purchase date and an explanation of the complaint must accompany the merchandise. If our inspection verifies the defect, we will either repair or replace the product at our election or we may elect to refund the purchase price if we cannot readily and quickly provide you with a replacement. We will return repaired products at our expense, but if we determine there is no defect, or that the defect resulted from causes not within the scope of our warranty, then you must bear the cost of returning the product.

This warranty gives you specific legal rights and you may also have other rights which vary from state to state.

The logo for Haulmaster, featuring the word "HAULMASTER" in a bold, italicized, sans-serif font. The letters are white with a thick black outline, and a small trademark symbol (TM) is located at the bottom right of the word.

26541 Agoura Road • Calabasas, CA 91302 • 1-888-866-5797