

Owner's Manual & Safety Instructions

Save This Manual Keep this manual for the safety warnings and precautions, assembly, operating, inspection, maintenance and cleaning procedures. Write the product's serial number in the back of the manual near the assembly diagram (or month and year of purchase if product has no number). Keep this manual and the receipt in a safe and dry place for future reference.

21d

HAULMASTER

12V ELECTRIC A-FRAME TRAILER JACK



Visit our website at: <http://www.harborfreight.com>
Email our technical support at: productsupport@harborfreight.com

58202

When unpacking, make sure that the product is intact and undamaged. If any parts are missing or broken, please call 1-888-866-5797 as soon as possible.

Copyright© 2020 by Harbor Freight Tools®. All rights reserved.
No portion of this manual or any artwork contained herein may be reproduced in any shape or form without the express written consent of Harbor Freight Tools. Diagrams within this manual may not be drawn proportionally. Due to continuing improvements, actual product may differ slightly from the product described herein. Tools required for assembly and service may not be included.

⚠ WARNING






Read this material before using this product. Failure to do so can result in serious injury. **SAVE THIS MANUAL.**

Table of Contents

Safety.....	3	Maintenance	7
Specifications.....	4	Warranty	7
Installation.....	5	Parts List and Diagram	8
Operation	6		



WARNING SYMBOLS AND DEFINITIONS

	<p>This is the safety alert symbol. It is used to alert you to potential personal injury hazards. Obey all safety messages that follow this symbol to avoid possible injury or death.</p>
	<p>Indicates a hazardous situation which, if not avoided, will result in death or serious injury.</p>
	<p>Indicates a hazardous situation which, if not avoided, could result in death or serious injury.</p>
	<p>Indicates a hazardous situation which, if not avoided, could result in minor or moderate injury.</p>
	<p>Addresses practices not related to personal injury.</p>

SAFETY

INSTALLATION

OPERATION

MAINTENANCE

IMPORTANT SAFETY INFORMATION

⚠️ WARNING

Read all safety warnings and instructions.

Failure to follow the warnings and instructions may result in serious injury.

Save all warnings and instructions for future reference.

Basic Safety Information

Keep work area clean and well lit.

Cluttered or dark areas invite accidents.

Personal safety

- 1. Stay alert, watch what you are doing and use common sense when operating a tool. Do not use a tool while you are tired or under the influence of drugs, alcohol or medication.**
A moment of inattention while operating tools may result in serious personal injury.
- 2. Use personal protective equipment. Always wear eye protection.** *Safety equipment such as non-skid safety shoes or a hard hat used for appropriate conditions will reduce personal injuries.*

Service

Have your tool serviced by a qualified repair person using only identical replacement parts.

This will ensure that the safety of the tool is maintained.

Specific Safety Warnings

1. Do not exceed rated capacity.
2. Do not use Crank while power lift is in use.
3. Use on flat, level, hard surface capable of supporting load.
4. Wear ANSI-approved safety goggles during use.
5. Prevent trailer wheels from moving using wheel chocks while raising or lowering.
6. Before towing, fully raise Trailer Jack.
7. Keep out from under jack and tongue when applying and releasing load or when jack is supporting load.
8. Inspect before use. Do not use if parts are loose or damaged.
9. Use in accordance with the Department of Transportation (DOT) regulations.
10. Maintain labels and nameplates on the tool. These carry important safety information. If unreadable or missing, contact Harbor Freight Tools for a replacement.
11. Apply force to jack vertically only. Side forces will compromise the jack.
12. Do not use blocks for additional ground clearance.
13. Do not climb aboard any vehicle supported by jack.
14. This product is not a toy. Keep it out of reach of children.
15. Follow all state regulations for towing when using Trailer Jack, including using safety chains securely attached to the towing vehicle when the trailer is hooked to the vehicle.
16. Check ground clearance carefully after installing. If your trailer does not provide enough ground clearance for the jack, remove the jack entirely before towing trailer.
17. Do not use for aircraft purposes.
18. The warnings, precautions, and instructions discussed in this instruction manual cannot cover all possible conditions and situations that may occur. It must be understood by the operator that common sense and caution are factors which cannot be built into this product, but must be supplied by the operator.



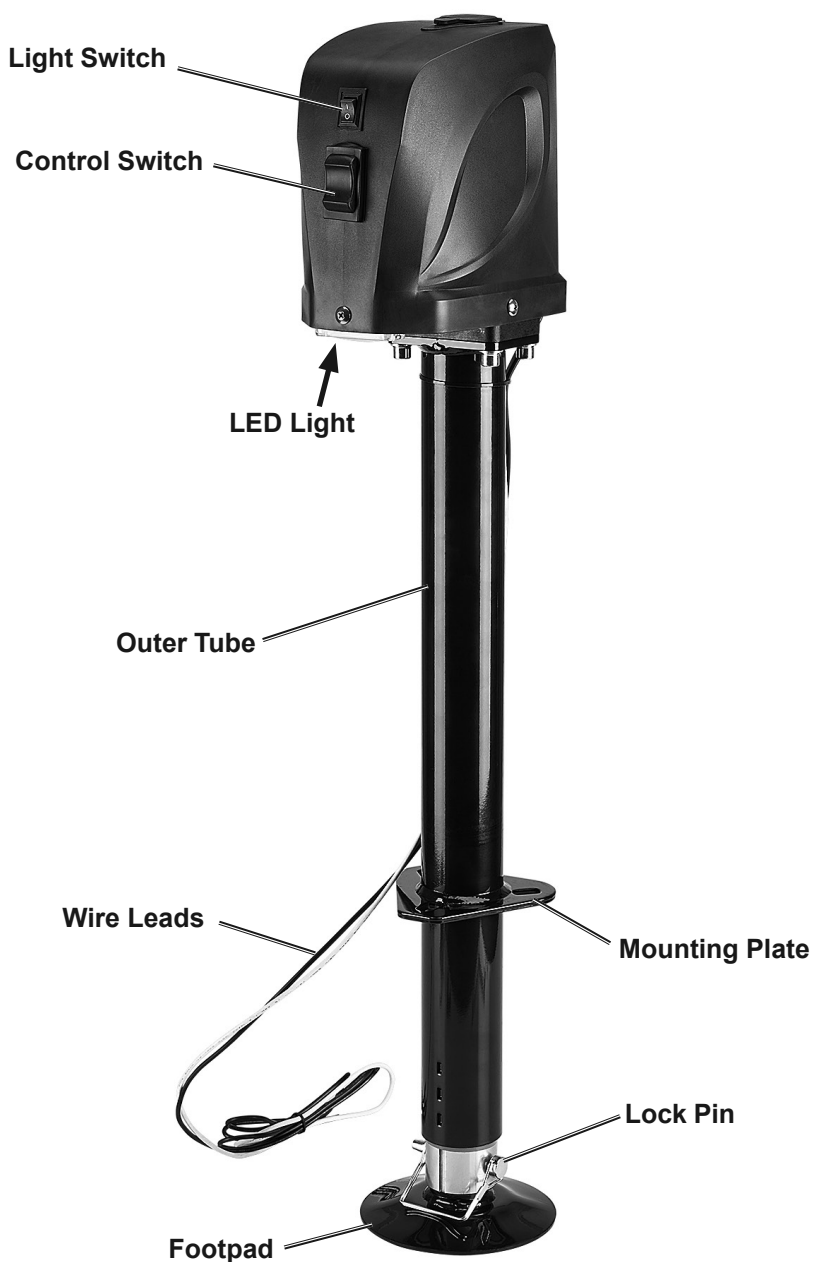
SAVE THESE INSTRUCTIONS.

Functional Description

Specifications

Weight Capacity	5,000 lb
Motor	12 VDC
Travel Length	22-1/2" (18" power, 4-1/2" drop leg)
Lift Range	9" – 31-1/2"
Application	For use with A-frame trailers

Components



SAFETY

INSTALLATION

OPERATION

MAINTENANCE

Installation Instructions



Read the **ENTIRE IMPORTANT SAFETY INFORMATION** section at the beginning of this manual including all text under subheadings therein before set up or use of this product.

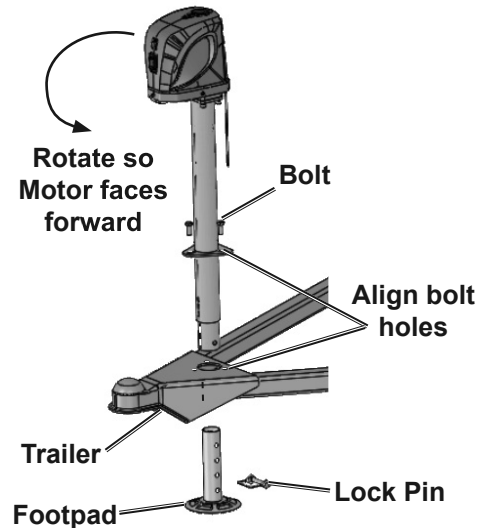
Note: For additional information regarding the parts listed in the following pages, refer to *Parts List and Diagram* on page 8.

Mounting

This Electric Jack is designed to replace an existing manual-only trailer jack. Check that the Outer Tube of the Electric Jack will fit into the existing jack location and that the Mounting Plate holes align with the bolt locations on your trailer. Only a qualified technician should modify the trailer if needed.

1. Block the wheels and support the trailer A-Frame securely using jack stands (sold separately).
2. Disconnect the trailer battery ground cable, if equipped.
3. Remove the existing jack.
4. Remove the Lock Pin and slide out the Footpad from the Jack.
5. To ensure proper grounding, remove paint from around one bolt hole on the Jack, and remove paint from around the matching bolt hole on the trailer tongue. If the paint layer is thick, add a flat washer (sold separately) between the jack and the trailer to provide good contact. Exposed metal can be painted after assembly to inhibit corrosion.
6. Insert the bottom section of the Outer Tube into the A-Frame jack opening so that the Motor Housing is toward the front of the trailer and the Mounting Plate holes line up with the bolt holes in the trailer.

Insert Jack into trailer opening



7. Secure the Mounting Plate to the A-Frame using included nuts, bolts and washers. Insert Bolt from the top, then insert a Washer with Nut from the underside of the frame. Tighten mounting hardware firmly to 15–20 ft. lb. Use a torque wrench to confirm tightness.
8. Replace the Footpad and insert the Lock Pin.

Wiring

The Jack needs to be properly wired for use. Have a qualified technician perform the wiring if you are not familiar with the following procedures.

If wiring to the trailer battery:

1. Disconnect the trailer battery ground cable.
2. Connect the BLACK Wire Lead (+) from the Jack to the Fuse Wire.
3. Connect the Fuse Wire to the positive (+) battery terminal and include an ON/OFF switch (sold separately) in the wiring so power can be turned off.
4. Connect the Jack's WHITE ground Wire Lead (-) to the negative (-) battery terminal or to an unpainted part of the trailer frame.
5. Reconnect the battery ground cable.

If wiring to the vehicle battery:

1. Route a 10-gauge wire (sold separately) from the positive (+) terminal of a 12VDC battery to a location near the Jack.
2. Attach the female side of a quick connect (sold separately) to the end of the wire and the male side to the Fuse Wire.
3. Connect the Fuse Wire to the BLACK Wire Lead (+) of the Jack.
4. Connect the Jack's WHITE ground Wire Lead (-) to the negative (-) battery terminal or to an unpainted part of the vehicle frame.
5. Plug the quick connect sections together.

Operation Instructions



Read the **ENTIRE IMPORTANT SAFETY INFORMATION** section at the beginning of this manual including all text under subheadings therein before set up or use of this product.

Mounting The Trailer to the Towing Vehicle

1. Before mounting, chock the trailer wheels to prevent the trailer from rolling.
2. **If using the Jack with electric power:**
 - a. If wired to the vehicle battery, plug the Jack wire into the quick connect. If wired to the trailer battery, keep the Control Switch in the middle (OFF) position.
 - b. If needed, turn on the LED light using the Light Switch.

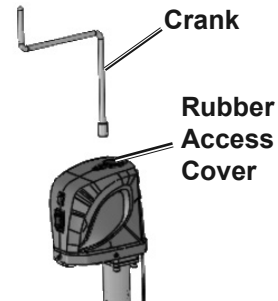
Note: The LED light will only work when the Jack wiring is powered.

- c. Push the Jack's Control Switch UP to raise the trailer to the level of the towing vehicle's hitch. Release the Control Switch to stop the Jack.

NOTICE: Release the Control Switch when the motor slows, or switches off, to prevent damage to the motor. Wait 15 seconds for the motor to reset before operating the Jack again.

3. **If using the Jack manually:**
 - a. Disconnect power to the Jack.
 - b. Remove the Rubber Access Cover on the top of the Jack to access the Drive Shaft.
 - c. Insert the Crank onto the Drive Shaft.

- d. Rotate the Crank counterclockwise to raise the trailer to the level of the towing vehicle's hitch.



4. With the assistance of a spotter, back the vehicle to the trailer.
5. Mount the trailer onto the towing vehicle's hitch.
6. Push the Control Switch DOWN or turn the Crank clockwise (manual) to retract the Jack slightly, lowering the trailer and transferring its weight onto the towing vehicle.
7. Once trailer is fully engaged, continue to retract Jack up to the "STOP" label on the Inner Tube. Trailer Jack must always be fully retracted when towing the trailer.
8. Remove the Crank, replace the Rubber Access Cover, and attach the safety chain (sold separately).

Dismounting The Trailer from the Towing Vehicle

1. Before dismounting, chock the trailer wheels to prevent the trailer from rolling.
2. **If using the Jack with electric power:**
 - a. If wired to the vehicle battery, plug the Jack wire into the quick connect. If wired to the trailer battery, keep the Control Switch in the middle (off) position.
 - b. If needed, turn on the LED light using the Light Switch.

Note: The LED light will only work when the Jack wiring is powered.

- c. Push the Jack's Control Switch UP to raise the trailer. Release the Control Switch to stop the Jack.

3. **If using the Jack manually:**
 - a. Disconnect power to the Jack.
 - b. Remove the Rubber Access Cover on the top of the Jack and insert the Crank onto the Drive Shaft.
 - c. Rotate the Crank counterclockwise to extend the Jack and raise the trailer.

4. Continue to extend just enough for the Trailer Jack to take the weight of the trailer. This will make it easier to disengage the trailer hitch.
5. Disengage the electrical connections, the trailer hitch, any safety chains or other connections, between the vehicle and the trailer.
6. You may need to extend the Jack further to clear the trailer hitch. When the vehicle is completely clear, and it is safe to do so, drive the vehicle away from the trailer.

CAUTION: Have a spotter watch this operation to be sure the trailer is clear of the vehicle.

7. When finished raising or lowering the trailer:

Note: To lower the Jack, push the Control Switch DOWN or turn the Crank clockwise (manual).

- a. If using with electric power, disconnect power to the Jack.
- b. If using the Jack manually, remove the Crank and replace the Rubber Access Cover. Store the Crank in a safe place for future use.

Inspection, Testing, and Maintenance



Procedures not specifically explained in this manual must be performed only by a qualified technician.

!WARNING

TO PREVENT SERIOUS INJURY:

Remove Jack from trailer before performing any inspection, maintenance, or cleaning procedures.

TO PREVENT SERIOUS INJURY FROM TOOL FAILURE:

Do not use damaged equipment. If abnormal noise or vibration occurs, have the problem corrected before further use.

Cleaning, Maintenance, and Lubrication

- BEFORE EACH USE**, inspect the general condition of the tool. Check for:
 - loose hardware,
 - misalignment or binding of moving parts,
 - cracked or broken parts, and
 - any other condition that may affect its safe operation.
- AFTER USE**, wipe external surfaces of the tool with clean cloth.

PLEASE READ THE FOLLOWING CAREFULLY

THE MANUFACTURER AND/OR DISTRIBUTOR HAS PROVIDED THE PARTS LIST AND ASSEMBLY DIAGRAM IN THIS MANUAL AS A REFERENCE TOOL ONLY. NEITHER THE MANUFACTURER OR DISTRIBUTOR MAKES ANY REPRESENTATION OR WARRANTY OF ANY KIND TO THE BUYER THAT HE OR SHE IS QUALIFIED TO MAKE ANY REPAIRS TO THE PRODUCT, OR THAT HE OR SHE IS QUALIFIED TO REPLACE ANY PARTS OF THE PRODUCT. IN FACT, THE MANUFACTURER AND/OR DISTRIBUTOR EXPRESSLY STATES THAT ALL REPAIRS AND PARTS REPLACEMENTS SHOULD BE UNDERTAKEN BY CERTIFIED AND LICENSED TECHNICIANS, AND NOT BY THE BUYER. THE BUYER ASSUMES ALL RISK AND LIABILITY ARISING OUT OF HIS OR HER REPAIRS TO THE ORIGINAL PRODUCT OR REPLACEMENT PARTS THERETO, OR ARISING OUT OF HIS OR HER INSTALLATION OF REPLACEMENT PARTS THERETO.

Limited 90 Day Warranty

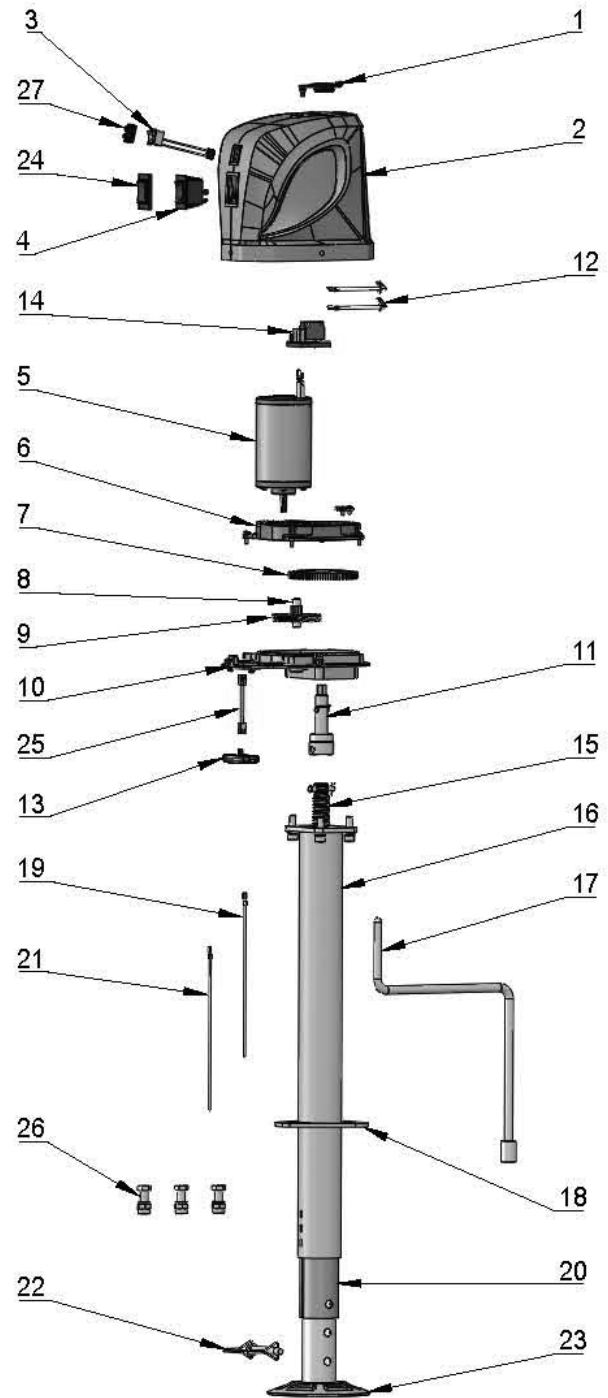
Harbor Freight Tools Co. makes every effort to assure that its products meet high quality and durability standards, and warrants to the original purchaser that this product is free from defects in materials and workmanship for the period of 90 days from the date of purchase. This warranty does not apply to damage due directly or indirectly, to misuse, abuse, negligence or accidents, repairs or alterations outside our facilities, criminal activity, improper installation, normal wear and tear, or to lack of maintenance. We shall in no event be liable for death, injuries to persons or property, or for incidental, contingent, special or consequential damages arising from the use of our product. Some states do not allow the exclusion or limitation of incidental or consequential damages, so the above limitation of exclusion may not apply to you. THIS WARRANTY IS EXPRESSLY IN LIEU OF ALL OTHER WARRANTIES, EXPRESS OR IMPLIED, INCLUDING THE WARRANTIES OF MERCHANTABILITY AND FITNESS.

To take advantage of this warranty, the product or part must be returned to us with transportation charges prepaid. Proof of purchase date and an explanation of the complaint must accompany the merchandise. If our inspection verifies the defect, we will either repair or replace the product at our election or we may elect to refund the purchase price if we cannot readily and quickly provide you with a replacement. We will return repaired products at our expense, but if we determine there is no defect, or that the defect resulted from causes not within the scope of our warranty, then you must bear the cost of returning the product.

This warranty gives you specific legal rights and you may also have other rights which vary from state to state.

Parts List and Diagram

Part	Description	Qty
1	Rubber Access Cover	1
2	Motor Housing	1
3	Light Switch	1
4	Control Switch	1
5	Motor	1
6 - 10	Gear Assembly	1
11	Drive Shaft	1
12	Short Positive/Negative Wire	1
13	LED Light	1
14	Wiring Board	1
15	ACME Screw	1
16	Outer Tube	1
17	Crank	1
18	Mounting Plate	1
19	Black Wire	1
20	Inner Tube	1
21	White Wire	1
22	Lock Pin	1
23	Footpad	1
24	Control Switch Cover	1
25	Light Wire	1
26	Hardware Kit (3 each Grade 5, 3/8" 16 UNC bolts, washers and nuts)	1
27	Light Switch Cover	1



Record Product's Serial Number Here:

Note: If product has no serial number, record month and year of purchase instead.

Note: Some parts are listed and shown for illustration purposes only, and are not available individually as replacement parts. Specify UPC 193175434142 when ordering parts.

HAULMASTER[®]

26541 Agoura Road • Calabasas, CA 91302 • 1-888-866-5797