

Owner's Manual & Safety Instructions

Save This Manual Keep this manual for the safety warnings and precautions, assembly, operating, inspection, maintenance and cleaning procedures. Write the product's serial number in the back of the manual near the assembly diagram (or month and year of purchase if product has no number). Keep this manual and the receipt in a safe and dry place for future reference.

22h

CENTRAL[®] MACHINERY

4" X 36" BELT AND DISC SANDER



58360

Visit our website at: <http://www.harborfreight.com>
Email our technical support at: productsupport@harborfreight.com

When unpacking, make sure that the product is intact and undamaged. If any parts are missing or broken, please call 1-888-866-5797 as soon as possible.

Copyright© 2018 by Harbor Freight Tools®. All rights reserved.
No portion of this manual or any artwork contained herein may be reproduced in any shape or form without the express written consent of Harbor Freight Tools. Diagrams within this manual may not be drawn proportionally. Due to continuing improvements, actual product may differ slightly from the product described herein. Tools required for assembly and service may not be included.

⚠WARNING






**Read this material before using this product.
Failure to do so can result in serious injury.
SAVE THIS MANUAL.**

Table of Contents

Safety	2	Maintenance	12
Specifications	6	Parts List and Diagram	14
Setup	6	Warranty	16
Operation.....	9		

CENTRAL[®] MACHINERY

WARNING SYMBOLS AND DEFINITIONS

	This is the safety alert symbol. It is used to alert you to potential personal injury hazards. Obey all safety messages that follow this symbol to avoid possible injury or death.
	Indicates a hazardous situation which, if not avoided, will result in death or serious injury.
	Indicates a hazardous situation which, if not avoided, could result in death or serious injury.
	Indicates a hazardous situation which, if not avoided, could result in minor or moderate injury.
	Addresses practices not related to personal injury.

IMPORTANT SAFETY INFORMATION

General Tool Safety Warnings

WARNING

Read all safety warnings and instructions.

Failure to follow the warnings and instructions may result in electric shock, fire and/or serious injury.

Save all warnings and instructions for future reference.

1. KEEP GUARDS IN PLACE and in working order.
2. REMOVE ADJUSTING KEYS AND WRENCHES. Form habit of checking to see that keys and adjusting wrenches are removed from tool before turning it on.
3. KEEP WORK AREA CLEAN. Cluttered areas and benches invite accidents.
4. DON'T USE IN DANGEROUS ENVIRONMENT. Don't use power tools in damp or wet locations, or expose them to rain. Keep work area well lighted.
5. KEEP CHILDREN AWAY. All visitors should be kept safe distance from work area.
6. MAKE WORKSHOP KID PROOF with padlocks, master switches, or by removing starter keys.
7. DON'T FORCE TOOL. It will do the job better and safer at the rate for which it was designed.

8. **USE RIGHT TOOL.** Don't force tool or attachment to do a job for which it was not designed.

Table A: RECOMMENDED MINIMUM WIRE GAUGE FOR EXTENSION CORDS (120 VOLT)				
NAMEPLATE AMPERES (at full load)	EXTENSION CORD LENGTH			
	25'	50'	100'	150'
0 – 6	18	16	16	14
6.1 – 10	18	16	14	12
10.1 – 12	16	16	14	12
12.1 – 16	14	12	Do not use.	

9. **USE PROPER EXTENSION CORD.** Make sure your extension cord is in good condition. When using an extension cord, be sure to use one heavy enough to carry the current your product will draw. An undersized cord will cause a drop in line voltage resulting in loss of power and overheating. Table A shows the correct size to use depending on cord length and nameplate ampere rating. If in doubt, use the next heavier gauge. The smaller the gauge number, the heavier the cord.
10. **WEAR PROPER APPAREL.** Do not wear loose clothing, gloves, neckties, rings, bracelets, or other jewelry which may get caught in moving parts. Nonslip footwear is recommended. Wear protective hair covering to contain long hair.
11. **ALWAYS USE SAFETY GLASSES.** Also use face or dust mask if cutting operation is dusty. Everyday eyeglasses only have impact resistant lenses, they are NOT safety glasses.
12. **SECURE WORK.** Use clamps or a vise to hold work when practical. It's safer than using your hand and it frees both hands to operate tool.

13. **DON'T OVERREACH.**
Keep proper footing and balance at all times.
14. **MAINTAIN TOOLS WITH CARE.** Keep tools sharp and clean for best and safest performance. Follow instructions for lubricating and changing accessories.
15. **DISCONNECT TOOLS** before servicing; when changing accessories, such as blades, bits, cutters, and the like.
16. **REDUCE THE RISK OF UNINTENTIONAL STARTING.** Make sure switch is in off position before plugging in.
17. **USE RECOMMENDED ACCESSORIES.** Consult the owner's manual for recommended accessories. The use of improper accessories may cause risk of injury to persons.
18. **NEVER STAND ON TOOL.**
Serious injury could occur if the tool is tipped or if the cutting tool is unintentionally contacted.
19. **CHECK DAMAGED PARTS.** Before further use of the tool, a guard or other part that is damaged should be carefully checked to determine that it will operate properly and perform its intended function – check for alignment of moving parts, binding of moving parts, breakage of parts, mounting, and any other conditions that may affect its operation. A guard or other part that is damaged should be properly repaired or replaced.
20. **DIRECTION OF FEED.**
Feed work into a blade or cutter against the direction of rotation of the blade or cutter only.
21. **NEVER LEAVE TOOL RUNNING UNATTENDED. TURN POWER OFF.** Don't leave tool until it comes to a complete stop.

Grounding Instructions

SAFETY

SETUP

OPERATION

MAINTENANCE



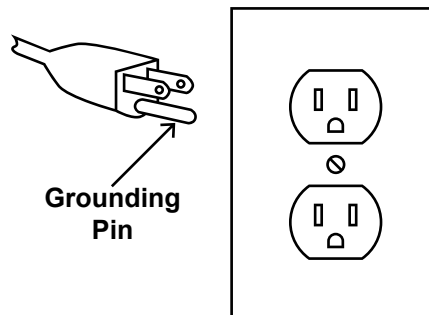
⚠️ WARNING

TO PREVENT ELECTRIC SHOCK AND DEATH FROM INCORRECT GROUNDING WIRE CONNECTION READ AND FOLLOW THESE INSTRUCTIONS:

110-120 VAC Grounded Tools: Tools with Three Prong Plugs

1. In the event of a malfunction or breakdown, grounding provides a path of least resistance for electric current to reduce the risk of electric shock. This tool is equipped with an electric cord having an equipment-grounding conductor and a grounding plug. The plug must be plugged into a matching outlet that is properly installed and grounded in accordance with all local codes and ordinances.
2. Do not modify the plug provided – if it will not fit the outlet, have the proper outlet installed by a qualified electrician.
3. Improper connection of the equipment-grounding conductor can result in a risk of electric shock. The conductor with insulation having an outer surface that is green with or without yellow stripes is the equipment-grounding conductor. If repair or replacement of the electric cord or plug is necessary, do not connect the equipment-grounding conductor to a live terminal.
4. Check with a qualified electrician or service personnel if the grounding instructions are not completely understood, or if in doubt as to whether the tool is properly grounded.
5. Use only 3-wire extension cords that have 3-prong grounding plugs and 3-pole receptacles that accept the tool's plug.

6. Repair or replace damaged or worn cord immediately.



**125 VAC 3-Prong Plug and Outlet
(for up to 125 VAC and up to 15 A)**

7. This tool is intended for use on a circuit that has an outlet that looks like the one illustrated above in **125 VAC 3-Prong Plug and Outlet**. The tool has a grounding plug that looks like the plug illustrated above in **125 VAC 3-Prong Plug and Outlet**.
8. The outlet must be properly installed and grounded in accordance with all codes and ordinances.
9. Do not use an adapter to connect this tool to a different outlet.

Sander Safety Warnings

For Your Own Safety Read Instruction Manual Before Operating Sander

1. Wear eye protection.
2. Support workpiece with miter gauge, backstop, or worktable.
3. Maintain 1/16 inch maximum clearance between table and sanding belt or disc.
4. Avoid kickback by sanding in accordance with the directional arrows.
5. The backstop is a fence near the surface that helps the operator maintain control of the workpiece and prevents the workpiece from being pulled into the machine. For safety, it must be adjusted very close to the sanding surface.
6. The worktable is the surface mounted close to the sanding surface that the operator rests the workpiece against to prevent it from being pulled by the sanding surface. For safety, it must be adjusted very close to the sanding surface.
7. The sanding belt is designed to rotate down towards the table while the disc rotates both up from the table and down towards the table. Sand on the belt with the workpiece in front of the backstop and/or table. Sand only on the downward moving surface of the disc - sanding on the upward moving surface may result in the workpiece being thrown up and towards the operator.
8. **DO NOT OPERATE WITH ANY GUARD DISABLED, DAMAGED, OR REMOVED. Moving guards must move freely and close instantly.**

9. The use of accessories or attachments not recommended by the manufacturer may result in a risk of injury to persons.
10. When servicing use only identical replacement parts.
11. Only use safety equipment that has been approved by an appropriate standards agency. Unapproved safety equipment may not provide adequate protection. Eye protection must be ANSI-approved and breathing protection must be NIOSH-approved for the specific hazards in the work area.
12. Stay alert, watch what you are doing and use common sense when operating a power tool. Do not use a power tool while you are tired or under the influence of drugs, alcohol or medication. A moment of inattention while operating power tools may result in serious personal injury.
13. Industrial applications must follow OSHA guidelines.
14. Maintain labels and nameplates on the tool. These carry important safety information. If unreadable or missing, contact Harbor Freight Tools for a replacement.
15. Avoid unintentional starting. Prepare to begin work before turning on the tool.
16. People with pacemakers should consult their physician(s) before use. Electromagnetic fields in close proximity to heart pacemaker could cause pacemaker interference or pacemaker failure.
17. Use for sanding wood, plastic and non-ferrous metals only.
18. The warnings, precautions, and instructions discussed in this instruction manual cannot cover all possible conditions and situations that may occur. It must be understood by the operator that common sense and caution are factors which cannot be built into this product, but must be supplied by the operator.

Vibration Safety

This tool vibrates during use. Repeated or long-term exposure to vibration may cause temporary or permanent physical injury, particularly to the hands, arms and shoulders. To reduce the risk of vibration-related injury:

1. Anyone using vibrating tools regularly or for an extended period should first be examined by a doctor and then have regular medical check-ups to ensure medical problems are not being caused or worsened from use. Pregnant women or people who have impaired blood circulation to the hand, past hand injuries, nervous system disorders, diabetes, or Raynaud's Disease should not use this tool. If you feel any medical or physical symptoms related to vibration (such as tingling, numbness, and white or blue fingers), seek medical advice as soon as possible.
2. Do not smoke during use. Nicotine reduces the blood supply to the hands and fingers, increasing the risk of vibration-related injury.
3. Use tools with the lowest vibration when there is a choice between different processes.
4. Include vibration-free periods each day of work.
5. Grip workpiece as lightly as possible (while still keeping safe control of it). Let the tool do the work.
6. To reduce vibration, maintain the tool as explained in this manual. If any abnormal vibration occurs, stop use immediately.



SAVE THESE INSTRUCTIONS.

Specifications

Electrical Rating	120VAC / 60Hz / 3.5A
Belt Size	4" W x 36" L
Disc Size	6"
Maximum Speed	1750 RPM (Disc) 1120 FPM (Belt)

Setup - Before Use:



Read the **ENTIRE IMPORTANT SAFETY INFORMATION** section at the beginning of this manual including all text under subheadings therein before set up or use of this product.

⚠ WARNING

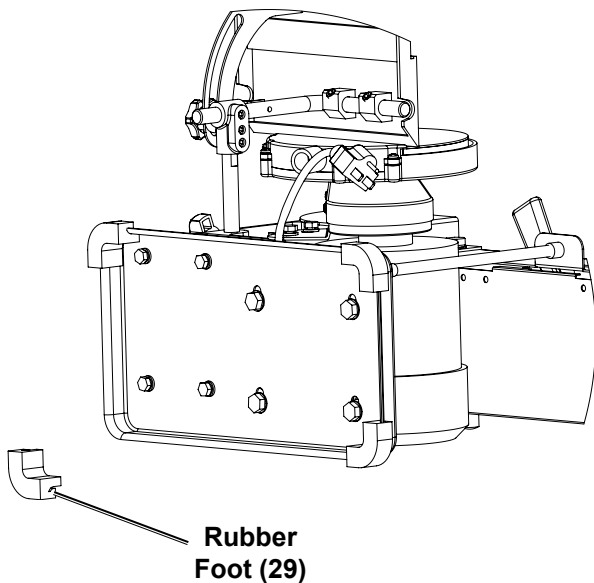
TO PREVENT SERIOUS INJURY FROM ACCIDENTAL OPERATION:
Turn the Power Switch of the tool off and unplug the tool from its electrical outlet before performing any procedure in this section.

Note: For additional information regarding the parts listed in the following pages, refer to the Assembly Diagram near the end of this manual.

Assembly/Mounting

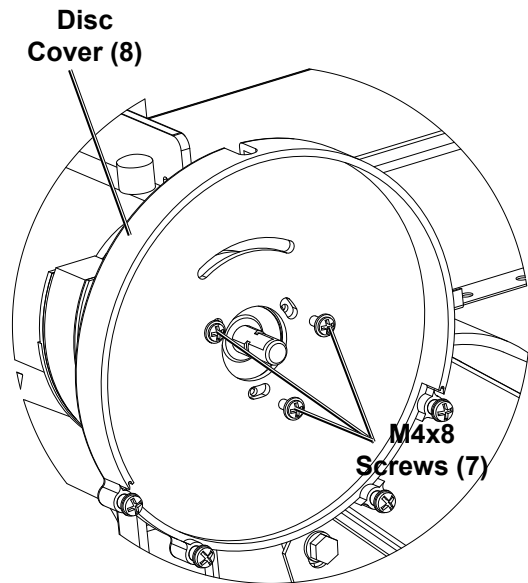
Feet Placement

- Carefully set the Belt/Disc Sander on its side.
- Press Rubber Feet (29) over the four corner lips of the Base (27).



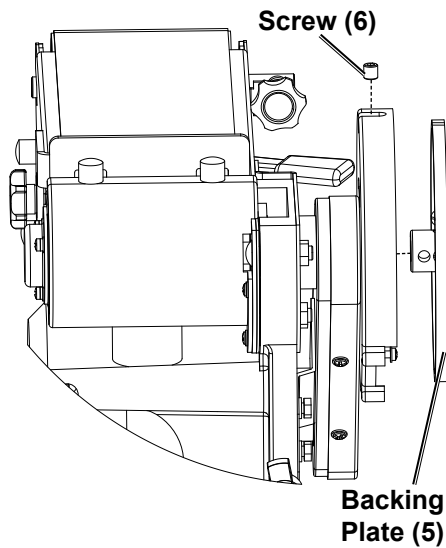
Install Disc Cover

- Set the Belt/Disc Sander on its feet.
- Attach the Disc Cover (8) to the Outer Pulley Cover (9) using M4x8 Screws (7).



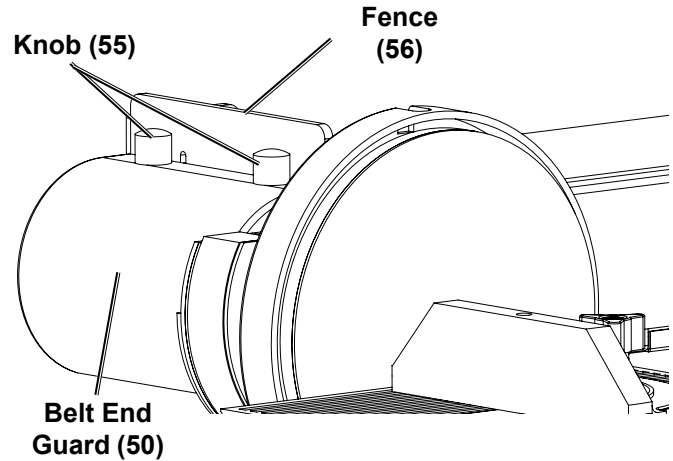
Mounting Backing Plate

1. Make sure that the flat part on Drive Shaft (67) is aligned with the opening at the top of Disc Cover.
2. Using a Hex Key, thread M8x8 Screw (6) into shaft at the back of Backing Plate (5) slightly. If it is tightened too far, the Plate cannot fit onto the Drive Shaft.
3. Slide the Backing Plate onto the Drive Shaft with the small notch on Disc aligned with the opening at top of Disc Cover.
4. Insert the long end of the Hex Key through opening at top of Disc Cover until you feel it engage with the Screw, then tighten.



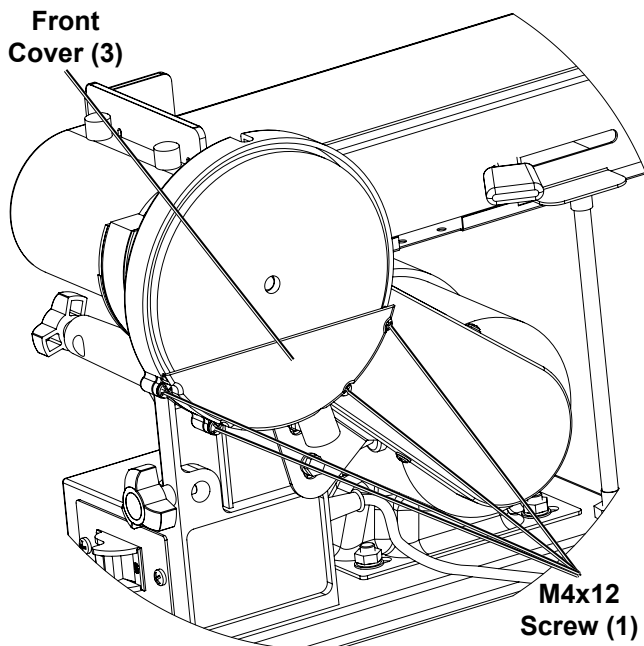
Mounting Fence

1. The Fence (56) fits across the top of the Sanding Belt to prevent workpiece from moving to the rear when sanding.
2. Align two tabs on the Fence with two holes on the top of the Belt End Guard (50). Place Fence tabs underneath the Belt End Guard. Insert two Knobs (55) into holes. Thread Knobs into the tabs on the Fence until tight.



Install Disc Cover

1. Remove four M4x12 Screws (1) from the bottom of the Disc Cover.
2. Attach the Front Cover (3) to the Disc Cover using the four Screws.



Operating Instructions



Read the **ENTIRE IMPORTANT SAFETY INFORMATION** section at the beginning of this manual including all text under subheadings therein before set up or use of this product.

Tool Set Up

⚠ WARNING

TO PREVENT SERIOUS INJURY FROM ACCIDENTAL OPERATION:

Turn the Power Switch of the tool off and unplug the tool from its electrical outlet before performing any procedure in this section.

TO PREVENT SERIOUS INJURY:

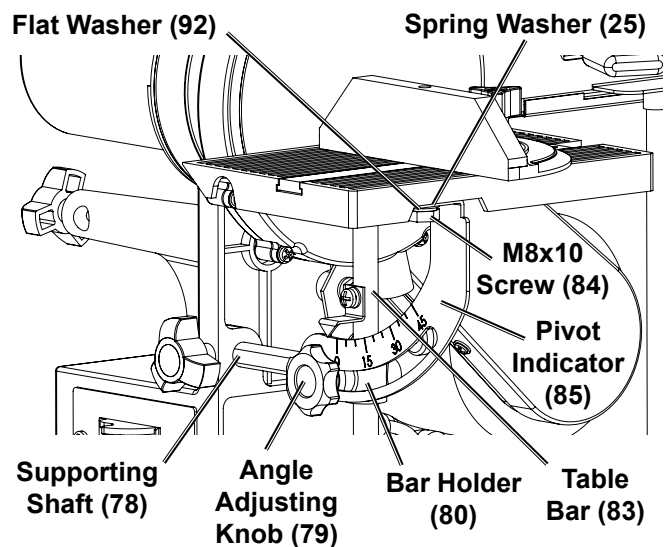
DO NOT OPERATE WITH ANY GUARD DISABLED, DAMAGED, OR REMOVED.

Mounting Table for Use as Disc Sander

Note: The Table may be used as support for both horizontal and vertical applications.

1. Insert the end of Table Bar (83) with Pivot Indicator (85) into the Bar Holder (80).
2. Insert free end of Table Bar into two Mounting Supports on bottom of Work Table (86). Tighten the two Set Screws.
3. Mount the Pivot Indicator tab to the Table using a M8x10 Screw (84), Flat Washer (92), and a Spring Washer (25).
4. Mount Pivot Indicator to the Bar Holder using the Angle Adjusting Knob (79), Flat Washers and M8x8 Screws (6). Finger tighten.
5. Tighten all fasteners. Make sure the Pivot Indicator operates smoothly when the Angle Adjusting Knob is loosened.
6. Slide the Supporting Shaft (78) into Bar Holder. Align the flat face of the Supporting Shaft with Set Screws and tighten securely.

7. Slide the Supporting Shaft into the hole on side of Housing and tighten Bolt.



Mounting Table for Use as Disc Sander

Note: The Table may be used as support for both horizontal and vertical applications.

1. Insert the end of Table Bar (83) with Pivot Indicator (85) into the Bar Holder (80).
2. Insert free end of Table Bar into two Mounting Supports on bottom of Work Table (86). Tighten the two Set Screws.
3. Mount the Pivot Indicator tab to the Table using a M8x10 Screw (84), Flat Washer (92), and a Spring Washer (25).
4. Mount Pivot Indicator to the Bar Holder using the Angle Adjusting Knob (79), Flat Washers and M8x8 Screws (6). Finger tighten.
5. Tighten all fasteners. Make sure the Pivot Indicator operates smoothly when the Angle Adjusting Knob is loosened.
6. Slide the Supporting Shaft (78) into Bar Holder. Align the flat face of the Supporting Shaft with Set Screws and tighten securely.
7. Slide the Supporting Shaft into the hole on side of Housing and tighten Bolt.

Leveling the Table

1. Loosen the Angle Adjusting Knob on the Pivot Indicator. Place a combination square (not included) on the Table so that the combination square touches the Sanding Disc. If the Table is 90° to the disc, the table is level. Always maintain a maximum of 1/16" clearance between the Table and the Sanding Disc. Tighten the Angle Adjusting Knob.
2. If the Table is not 90° to the Sanding Disc pad, loosen the Angle Adjusting Knob and tilt the Table until it is square with the disc. Tighten the Angle Adjusting Knob.
3. Loosen Screw holding the Angle Pointer and adjust it to point to 90°. Tighten the Screw.

Adjusting the Sanding Belt Tracking

1. With the Belt/Disc Sander turned off, manually move the Sanding Belt.
2. If the belt starts moving to the side of either roller, it needs to be adjusted.
3. Turn the Belt Adjustment Knob (65) until the belt rides the center of the Rear Roller (48) and the Front Roller (69).
4. Move the Sanding Belt manually after adjustment to assure proper alignment.

Mounting Table for Use as Belt Sander

Note: The Table may be used for both horizontal and vertical operations.

1. Remove Table from Housing by loosening Bolt and sliding Supporting Shaft out.
2. Set Belt/Disc Sander in vertical position by loosening both Bolts. Raise the Belt Support Housing. When it is vertical, wrench tighten both Bolts securely to prevent the Belt Support Housing from slipping.
3. Insert Supporting Shaft into the hole facing the belts and tighten Bolt against flat side of Supporting Shaft.

Mounting Sanding Discs

Note: Before mounting a sanding disc, wipe down the Backing Disc with denatured alcohol (shellac thinner). This will clean the surface, leave no residue and assure a secure bond.

1. Remove the Table if it is mounted in front of the Sanding Disc. Remove Front Cover if needed.
2. Peel off old Sanding Disc.
3. Align perimeter of new Sanding Disc over the Backing Disc and press firmly onto Backing Disc.

Workpiece and Work Area Set Up

1. Designate a work area that is clean and well-lit. The work area must not allow access by children or pets to prevent distraction and injury.
2. Route the power cord along a safe route to reach the work area without creating a tripping hazard or exposing the power cord to possible damage. The power cord must reach the work area with enough extra length to allow free movement while working.
3. Secure loose workpieces using a vise or clamps (not included) to prevent movement while working.
4. There must not be objects, such as utility lines, nearby that will present a hazard while working.

General Operating Instructions

1. Make sure that the Switch is in the off-position, then plug in the tool.
2. Insert Safety Key into Switch.
3. Make sure nothing is contacting the Sanding Disc or Belt, then turn on the Switch.
4. When using the Disc Sander, only use the LEFT side of the Sanding Disc (as you face it) to sand. The Sanding Disc turns counterclockwise and using the right side could cause kickback.
5. Use two hands and hold workpiece securely against the fence/table at all times. Press the workpiece against the belt/disc to start sanding. Keep the workpiece moving for a better finish.
6. After use, turn off the tool, remove the Safety Key from the Switch, and disconnect from the power supply. Clean and store the tool indoors out of children's reach.

CENTRAL[®]
MACHINERY

Maintenance and Servicing



Procedures not specifically explained in this manual must be performed only by a qualified technician.

WARNING

TO PREVENT SERIOUS INJURY FROM ACCIDENTAL OPERATION:

Turn the Power Switch of the tool off and unplug the tool from its electrical outlet before performing any procedure in this section.

TO PREVENT SERIOUS INJURY FROM TOOL FAILURE:

Do not use damaged equipment. If abnormal noise or vibration occurs, have the problem corrected before further use.

Cleaning, Maintenance, and Lubrication

- BEFORE EACH USE**, inspect the general condition of the tool. Check for:
 - loose hardware,
 - misalignment or binding of moving parts,
 - cracked or broken parts,
 - damaged electrical wiring, and
 - any other condition that may affect its safe operation.
- AFTER USE**, turn off the tool, remove the Safety Key from the Switch, and disconnect its power supply. Wipe external surfaces of the tool with clean cloth.
- Periodically, wear ANSI-approved safety goggles and NIOSH-approved breathing protection and blow dust out of the motor vents using dry compressed air.
- A Dust Port is located on the bottom of the Lower Guard Plate. It is held in place with a Screw and can be removed for vacuuming collected dust and sanding residue. Replace the Dust Port after cleaning and tighten Screw.
- Apply a light coat of paste wax to the Table to make feeding material easier.
- Replace Sanding Belts when they become torn or worn down to the paper.
- The Bearings on this Sander are sealed and do not require lubrication.
- WARNING! TO PREVENT SERIOUS INJURY: If the supply cord of this power tool is damaged, it must be replaced only by a qualified service technician.**

Sanding Belt Replacement

- Push the Belt Tension Handle forward to loosen the belt.
 - Remove Belt End Guard by unscrewing four Screws.
 - Remove the Lower Cover by unscrewing the four Screws that hold it to the Belt Support Housing.
 - Slide the old Sanding Belt off the Rear Roller and Front Roller.
 - Replace with a 4"x 36" Sanding Belt with the correct grit for the project you are working on.
 - Slide a new Sanding Belt onto Front and Rear Rollers.
- Note:** Make sure arrow on belt matches direction of movement.
- Replace the Lower Cover and tighten the four Screws securely.
 - Replace the Belt End Guard and tighten the four Screws.
 - Push the Belt Tension Handle to the rear to tighten the belt.
 - Before using, manually check the new belt for alignment. See instructions in the "General Operating" section of this manual.

Note: The larger the grit number, the smaller the grain. Use small numbered grits for cutting and larger for smoothing and finishing.

V-Belt Replacement

1. Remove Screws and Sanding Disc.
2. Remove four Screws and Washers from Outer Pulley Cover.
3. Once the Belt Pulley Cover is removed, the V-Belt is accessible.
4. Remove the V-Belt using a flat screwdriver (not included). Place the tip of the screwdriver between the Motor Pulley and the V-Belt while turning the V-Belt by hand. As it turns, the V-Belt will ride up and out of the Motor Pulley groove. Once off the Motor Pulley, lift the V-Belt off of the Belt Pulley.
5. Place the new V-Belt onto the Belt Pulley, by using a flat screwdriver (not supplied) as a wedge. Turn the Belt Pulley and ride the new V-Belt onto the Motor Pulley.
6. Replace Belt Pulley Cover. Tighten Screws and Washers.

V-Belt Tensioning

1. Remove Screws and Sanding Disc.
2. Remove four Screws and Washers from Belt Pulley Cover.
3. Loosen four motor mount Nuts and slide the Motor further forward towards Front Roller, making sure to pull evenly on the motor. While holding the Motor in its current position, tighten the Nuts.
4. Place a straight edge on the faces of the two pulleys to ascertain alignment. The contact surfaces and the straight edge must fully touch.
5. If adjustment is needed, loosen set screw on motor pulley and adjust pulley until alignment is achieved. Tighten set screw.
6. Replace Outer Pulley Cover and tighten Screws and Washers. Replace Sanding Disc and tighten Screws.

Troubleshooting

Problem	Possible Causes	Likely Solutions
Belt/Disc Sander does not turn on	<ol style="list-style-type: none"> 1. Not plugged in. 2. No power at outlet. 3. Safety Key not inserted into Switch. 4. Switch is not turned "ON". 	<ol style="list-style-type: none"> 1. Plug in Sander. 2. Check power at outlet and/or circuit breaker. 3. Insert Safety Key into Switch. 4. Turn on the Switch.
Motor slows when sanding	<ol style="list-style-type: none"> 1. V-Belt too tight. 2. Applying too much pressure while sanding 	<ol style="list-style-type: none"> 1. Have the V-Belt adjusted by a qualified technician. 2. Use less pressure.
Wood burns while sanding	<ol style="list-style-type: none"> 1. Sanding disc or belt may be loaded with dirt or debris. 2. Too much pressure. 	<ol style="list-style-type: none"> 1. Clean or replace disc or belt using instructions in this manual. 2. Use less pressure.
Excessive noise or rattling.	Internal damage or wear. (Carbon brushes or bearings, for example.)	Have technician service tool.



Follow all safety precautions whenever diagnosing or servicing the tool. Disconnect power supply before service.

Record Product's Serial Number Here: _____

Note: If product has no serial number, record month and year of purchase instead.

Note: Some parts are listed and shown for illustration purposes only, and are not available individually as replacement parts. Specify UPC 193175437846 when ordering parts.

PLEASE READ THE FOLLOWING CAREFULLY

THE MANUFACTURER AND/OR DISTRIBUTOR HAS PROVIDED THE PARTS LIST AND ASSEMBLY DIAGRAM IN THIS MANUAL AS A REFERENCE TOOL ONLY. NEITHER THE MANUFACTURER OR DISTRIBUTOR MAKES ANY REPRESENTATION OR WARRANTY OF ANY KIND TO THE BUYER THAT HE OR SHE IS QUALIFIED TO MAKE ANY REPAIRS TO THE PRODUCT, OR THAT HE OR SHE IS QUALIFIED TO REPLACE ANY PARTS OF THE PRODUCT. IN FACT, THE MANUFACTURER AND/OR DISTRIBUTOR EXPRESSLY STATES THAT ALL REPAIRS AND PARTS REPLACEMENTS SHOULD BE UNDERTAKEN BY CERTIFIED AND LICENSED TECHNICIANS, AND NOT BY THE BUYER. THE BUYER ASSUMES ALL RISK AND LIABILITY ARISING OUT OF HIS OR HER REPAIRS TO THE ORIGINAL PRODUCT OR REPLACEMENT PARTS THERETO, OR ARISING OUT OF HIS OR HER INSTALLATION OF REPLACEMENT PARTS THERETO.

Parts List

Part	Description	Qty
1	Screw M4x12	4
2	Washer Φ4	14
3	Disc Cover	1
4	Disc Sander	1
5	Backing Plate	1
6	Screw M8x8	6
7	Screw M4x8	3
8	Disc Cover	1
9	Outer Pulley Cover	1
10	Screw M4x8	4
11	V-Belt	1
12	Motor Pulley	1
13	Screw M6x6	2
14	Spindle Pulley	1
15	Screw M5x20	3
16	Bolt M6x14	4
17	Spring Washer Φ6	4
18	Flat Washer Φ6	4
19	Inner Pulley Cover	1
20	Spacer	1
21	Nut M8	2
22	Supporting Rod	1
23	Nut M10	1
24	Nut M8	4
25	Spring Washer Φ8	7
26	Big Flat Washer Φ8	8
27	Base	1
28	Bolt M8x12	4
29	Rubber Foot	4
30	Switch	1
31	Screw M4x8	2
32	Switch Plate	1
33	Bolt M8x12	2

Part	Description	Qty
34	Holding Plate	1
35	Rubber Pad	1
36	Screw M4x16	2
37	Spring Washer Φ4	12
38	Locking Washer Φ4	2
39	Housing	1
40	Large Knob (A)	2
41	Screw M4x6	4
42	Nut M4	6
43	Lower Guard Plate	1
44	Screw ST2.9x6	3
45	Dust Port	1
46	Right Bearing Housing	1
47	Bearing 6021	4
48	Rear Roller	1
49	Screw M4x6	2
50	Belt End Guard	1
51	Left Bearing Housing	1
52	Screw M4x16	2
53	Sanding Belt	1
54	Locking Knob	1
55	Knob	4
56	Fence	1
57	Belt Support Housing	1
58	Coach Bolt M8x35	2
59	Screw M4x12	6
60	Silicone Fiberglass Tube	1
61	Spring	1
62	Adjusting Bracket	1
63	Screw M5x20	1

Part	Description	Qty
64	Belt Tension Handle	1
65	Belt Adjustment Knob	1
66	Spring	1
67	Drive Shaft	1
68	Shaft Ring	2
69	Front Roller	1
70	Holding Plate	1
71	Cable Fixing Plate	1
72	Flat Washer Φ5	4
73	Spring Washer Φ5	3
74	Bolt M5x12	2
75	Grommet	1
76	Cable Rubber Tube	1
77	Motor	1
78	Supporting Shaft	1
79	Angle Adjusting Knob	1
80	Bar Holder	1
81	Screw M5x12	1
82	Angle Pointer	1
83	Table Bar	1
84	Screw M8x10	1
85	Pivot Indicator	1
86	Work Table	1
87	Sliding Bar	1
88	Miter Gauge	1
89	Large Flat Washer Φ6	4
90	Knob	1
91	Metal Pad	1
92	Flat Washer Φ8	5
93	Bolt M6x12	2
94	Cable	1

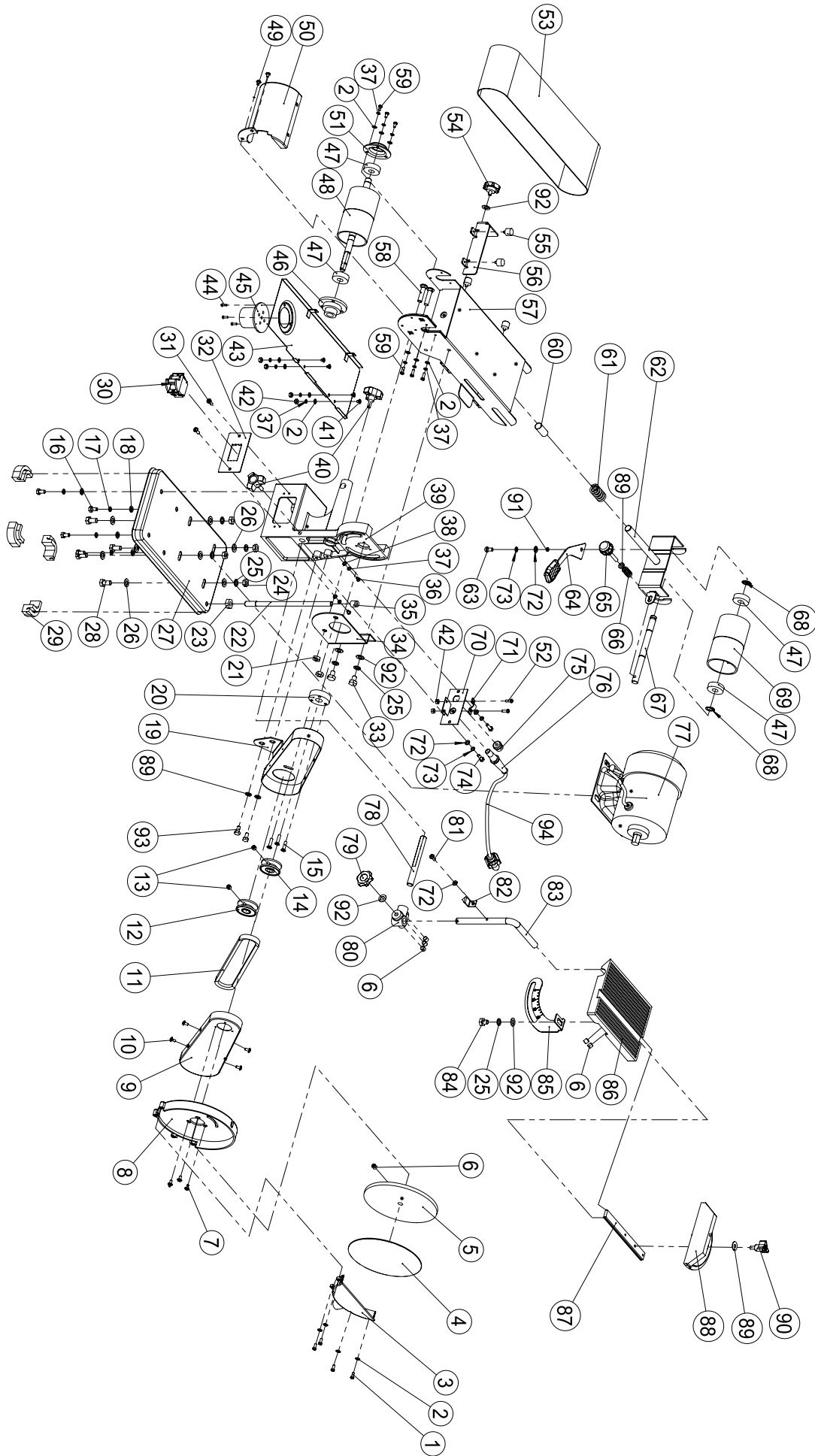
SAFETY

SETUP

OPERATION

MAINTENANCE

Assembly Diagram



SAFETY

SETUP

OPERATION

MAINTENANCE

Limited 90 Day Warranty

Harbor Freight Tools Co. makes every effort to assure that its products meet high quality and durability standards, and warrants to the original purchaser that this product is free from defects in materials and workmanship for the period of 90 days from the date of purchase. This warranty does not apply to damage due directly or indirectly, to misuse, abuse, negligence or accidents, repairs or alterations outside our facilities, criminal activity, improper installation, normal wear and tear, or to lack of maintenance. We shall in no event be liable for death, injuries to persons or property, or for incidental, contingent, special or consequential damages arising from the use of our product. Some states do not allow the exclusion or limitation of incidental or consequential damages, so the above limitation of exclusion may not apply to you. THIS WARRANTY IS EXPRESSLY IN LIEU OF ALL OTHER WARRANTIES, EXPRESS OR IMPLIED, INCLUDING THE WARRANTIES OF MERCHANTABILITY AND FITNESS.

To take advantage of this warranty, the product or part must be returned to us with transportation charges prepaid. Proof of purchase date and an explanation of the complaint must accompany the merchandise. If our inspection verifies the defect, we will either repair or replace the product at our election or we may elect to refund the purchase price if we cannot readily and quickly provide you with a replacement. We will return repaired products at our expense, but if we determine there is no defect, or that the defect resulted from causes not within the scope of our warranty, then you must bear the cost of returning the product.

This warranty gives you specific legal rights and you may also have other rights which vary from state to state.

CENTRAL[®]
MACHINERY

26677 Agoura Road • Calabasas, CA 91302 • 1-888-866-5797