

# Owner's Manual & Safety Instructions

Save This Manual Keep this manual for the safety warnings and precautions, assembly, operating, inspection, maintenance and cleaning procedures. Write the product's serial number in the back of the manual near the assembly diagram (or month and year of purchase if product has no number). Keep this manual and the receipt in a safe and dry place for future reference.

23e

# **DAYTONA™**

## **2.5 TON HEAVY DUTY PROFESSIONAL STEEL AUTO DOLLY SET**

### **DD25T**



Visit our website at: <http://www.harborfreight.com>  
Email our technical support at: [productsupport@harborfreight.com](mailto:productsupport@harborfreight.com)

58394

When unpacking, make sure that the product is intact and undamaged. If any parts are missing or broken, please call 1-888-866-5797 as soon as possible.

Copyright© 2020 by Harbor Freight Tools®. All rights reserved.  
No portion of this manual or any artwork contained herein may be reproduced in any shape or form without the express written consent of Harbor Freight Tools. Diagrams within this manual may not be drawn proportionally. Due to continuing improvements, actual product may differ slightly from the product described herein. Tools required for assembly and service may not be included.

### **⚠WARNING**

Read this material before using this product.  
Failure to do so can result in serious injury.  
**SAVE THIS MANUAL.**

# Specifications

Maximum Weight Capacity	2500 lb. (per Dolly)
Wheels	Two Swivel Casters with Locks Two Swivel Casters without Locks
Maximum Tire Width	16"

## Important Safety Information

1. Study, understand, and follow all instructions before operating the device.
2. Do not exceed rated capacity.
3. Use only on a hard, level surface capable of supporting the load.
4. Before moving the vehicle, ensure that the vehicle wheels are centered and secure.
5. Activate the wheel and/or caster-locking devices after moving a vehicle.
6. Never work on, around, or under a vehicle supported by vehicle-moving dollies.
7. Failure to heed and understand these instructions may result in personal injury and/or property damage.
8. Use of this product is limited to transporting only.
9. No alterations shall be made to this product.
10. Wear ANSI-approved safety goggles and heavy-duty work gloves during assembly and use.
11. Keep clear of load's path while placing on and removing from dollies, and while moving.
12. Do not use for aircraft purposes.
13. Inspect before every use; do not use if parts loose or damaged.
14. Be aware of dynamic loading! Sudden load movement may briefly create excess load causing product failure.
15. Use Vehicle Dollies to support FRONT or REAR end of the vehicle. Do not use Dollies to support one side of vehicle. Use four Dollies (two pairs) to support entire vehicle.
16. Read vehicle owner's manual and instruction manual for Jack (not included) for proper jacking positions before use.
17. Assemble only according to these instructions. Improper assembly can create hazards.
18. Keep assembly area clean and well lit.
19. Keep bystanders out of the area during assembly.
20. Do not assemble when tired or when under the influence of drugs or medication.
21. Weight capacity and other product capabilities apply to properly and completely assembled product only.
22. Position Dollies so that rails are parallel to the wheels.
23. Make sure sides of tires do not press against Dolly edges.
24. Move supported vehicle carefully and slowly. Keep all people and body parts out of path of moving vehicle.

25. Keep lifting area free of spectators and do not allow anyone into vehicle while on Dollies.
26. Use wheel chocks at opposite end of vehicle when lifting.
27. This product is not a toy. Do not allow children to play with or near this item.
28. Maintain product labels and nameplates. These carry important safety information. If unreadable or missing, contact Harbor Freight Tools for a replacement.



## SAVE THESE INSTRUCTIONS.

### Assembly and Use Instructions

1. Insert Swivel Caster with Lock (2) through holes in V-Platform (1).
2. Fasten Caster with Lock (2) using Flat Washer (6), Lock Washer (5) and Nut (4). Tighten hardware securely. Repeat steps one and two to secure Swivel Caster without lock on other side. **See Diagram, below.**
3. Repeat for other Dolly.
4. Once Dollies are assembled, roll Dollies along surface to verify all connections are secure and Dollies roll freely.
5. Chock wheels (or chock dollies if another set of dollies is already in use) on opposite end of vehicle. Use appropriate jacks to safely lift front or rear end of vehicle. Place Dollies in position under raised wheels and lower vehicle slowly onto them.
6. If raising front and rear of vehicle, use jack to raise other end, remove wheel blocks, and set up four Dollies (sold in sets of two). Once vehicle is resting on all Dollies, carefully guide vehicle.

### Parts List and Diagram

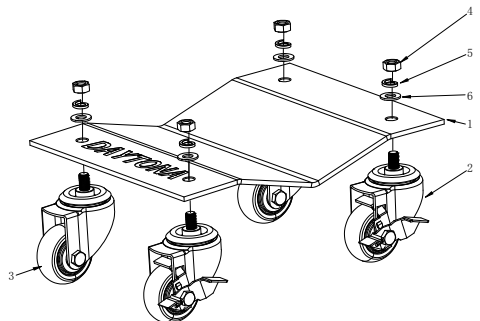
Part	Description	Qty
1	V-Platform	2
2	3" Swivel Caster with Lock	4
3	3" Swivel Caster without Lock	4
4	Nut 1/2"	8
5	Lock Washer 1/2"	8
6	Flat Washer 1/2"	8

#### Record Serial Number Here:

---

**Note:** If product has no serial number, record month and year of purchase instead.

**Note:** Some parts are listed and shown for illustration purposes only, and are not available individually as replacement parts. Specify UPC 193175438614 when ordering parts.



## PLEASE READ THE FOLLOWING CAREFULLY

---

THE MANUFACTURER AND/OR DISTRIBUTOR HAS PROVIDED THE PARTS LIST AND ASSEMBLY DIAGRAM IN THIS DOCUMENT AS A REFERENCE TOOL ONLY. NEITHER THE MANUFACTURER OR DISTRIBUTOR MAKES ANY REPRESENTATION OR WARRANTY OF ANY KIND TO THE BUYER THAT HE OR SHE IS QUALIFIED TO MAKE ANY REPAIRS TO THE PRODUCT, OR THAT HE OR SHE IS QUALIFIED TO REPLACE ANY PARTS OF THE PRODUCT. IN FACT, THE MANUFACTURER AND/OR DISTRIBUTOR EXPRESSLY STATES THAT ALL REPAIRS AND PARTS REPLACEMENTS SHOULD BE UNDERTAKEN BY CERTIFIED AND LICENSED TECHNICIANS, AND NOT BY THE BUYER. THE BUYER ASSUMES ALL RISK AND LIABILITY ARISING OUT OF HIS OR HER REPAIRS TO THE ORIGINAL PRODUCT OR REPLACEMENT PARTS THERETO, OR ARISING OUT OF HIS OR HER INSTALLATION OF REPLACEMENT PARTS THERETO.

### Limited 90 Day Warranty

Harbor Freight Tools Co. makes every effort to assure that its products meet high quality and durability standards, and warrants to the original purchaser that this product is free from defects in materials and workmanship for the period of 90 days from the date of purchase. This warranty does not apply to damage due directly or indirectly, to misuse, abuse, negligence or accidents, repairs or alterations outside our facilities, criminal activity, improper installation, normal wear and tear, or to lack of maintenance. We shall in no event be liable for death, injuries to persons or property, or for incidental, contingent, special or consequential damages arising from the use of our product. Some states do not allow the exclusion or limitation of incidental or consequential damages, so the above limitation of exclusion may not apply to you. THIS WARRANTY IS EXPRESSLY IN LIEU OF ALL OTHER WARRANTIES, EXPRESS OR IMPLIED, INCLUDING THE WARRANTIES OF MERCHANTABILITY AND FITNESS.

To take advantage of this warranty, the product or part must be returned to us with transportation charges prepaid. Proof of purchase date and an explanation of the complaint must accompany the merchandise. If our inspection verifies the defect, we will either repair or replace the product at our election or we may elect to refund the purchase price if we cannot readily and quickly provide you with a replacement. We will return repaired products at our expense, but if we determine there is no defect, or that the defect resulted from causes not within the scope of our warranty, then you must bear the cost of returning the product.

This warranty gives you specific legal rights and you may also have other rights which vary from state to state.

# ***DAYTONA***<sup>TM</sup>

26677 Agoura Road • Calabasas, CA 91302 • 1-888-866-5797