

Owner's Manual & Safety Instructions

Save This Manual Keep this manual for the safety warnings and precautions, assembly, operating, inspection, maintenance and cleaning procedures. Write the product's serial number in the back of the manual near the assembly diagram (or month and year of purchase if product has no number). Keep this manual and the receipt in a safe and dry place for future reference.

22i

U.S. GENERAL

30" Service Cart



64058 59851
56604 56606
56607 58471
58472 58338

Visit our website at: <http://www.harborfreight.com>
Email our technical support at: productsupport@harborfreight.com

When unpacking, make sure that the product is intact and undamaged. If any parts are missing or broken, please call 1-888-866-5797 as soon as possible.

Copyright© 2022 by Harbor Freight Tools®. All rights reserved.

No portion of this manual or any artwork contained herein may be reproduced in any shape or form without the express written consent of Harbor Freight Tools. Diagrams within this manual may not be drawn proportionally. Due to continuing improvements, actual product may differ slightly from the product described herein. Tools required for assembly and service may not be included.

⚠ WARNING

Read this material before using this product. Failure to do so can result in serious injury. **SAVE THIS MANUAL.**

Specifications

Total Combined Weight Capacity (Evenly distributed from bottom up.)	350 lb
Drawer Slide Capacity (Per connected pair of slides)	75 lb

IMPORTANT SAFETY INFORMATION

Assembly Precautions

1. Assemble only according to these instructions. Improper assembly can create hazards.
2. Wear ANSI-approved safety goggles and heavy-duty work gloves during assembly.
3. Keep assembly area clean and well lit.
4. Keep bystanders out of the area during assembly.
5. Do not assemble when tired or when under the influence of alcohol, drugs or medication.
6. Weight capacity and other product capabilities apply to properly and completely assembled product only.
7. Assemble on a flat, level, hard and smooth surface capable of safely supporting loaded Cart.

Use Precautions

1. **DO NOT SIT, STAND OR CLIMB ON THIS ITEM. DO NOT STEP IN OR ON DRAWER.**
2. Do not allow children to play with or near this item. This item is NOT children's furniture.
3. Do not exceed 350 lb weight capacity. Do not exceed drawer capacity, 75 lb per connected pair of slides. Evenly distribute load from bottom up. Uneven loading cause tipping. Be aware of dynamic loading! Sudden load movement may briefly create excess load causing tipping.
4. Close and lock drawer before moving. Do not pull. push to move.
5. Use only on a flat, level, hard and smooth surface capable of safely supporting a fully loaded unit. Use care when rolling over concrete seams.
6. Do not lift using handle(s). Do not lift while loaded.
7. Do not use for food preparation or service.
8. Lock Swivel Casters after moving.
9. Do not mount on truck bed or any other moving object.
10. Use as intended only.
11. Wear ANSI-approved safety goggles and heavy-duty work gloves during assembly.
12. Inspect before every use; do not use if parts are loose or damaged.
13. Maintain product labels and nameplates. These carry important safety information. If unreadable or missing, contact Harbor Freight Tools for a replacement.
14. Read instruction manual before assembly and/or use.

U.S. GENERAL

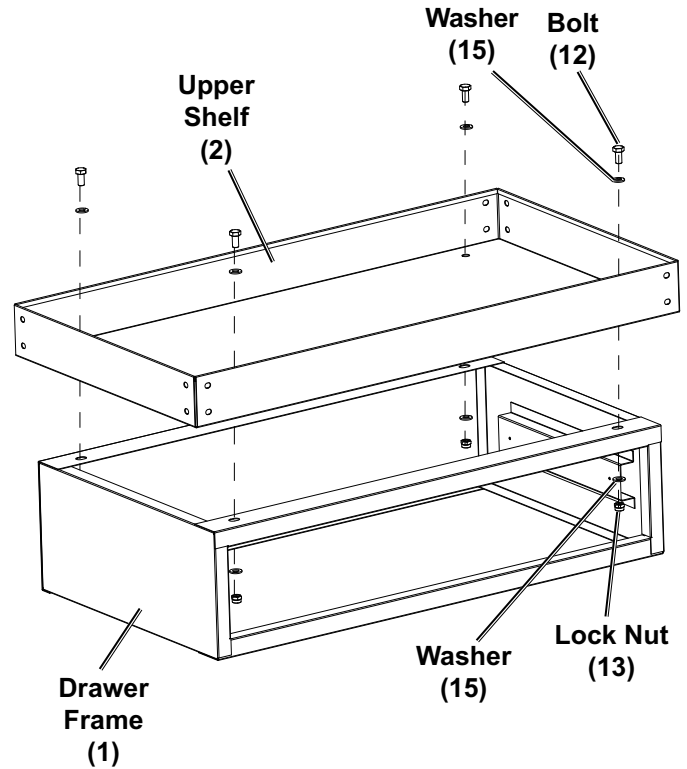
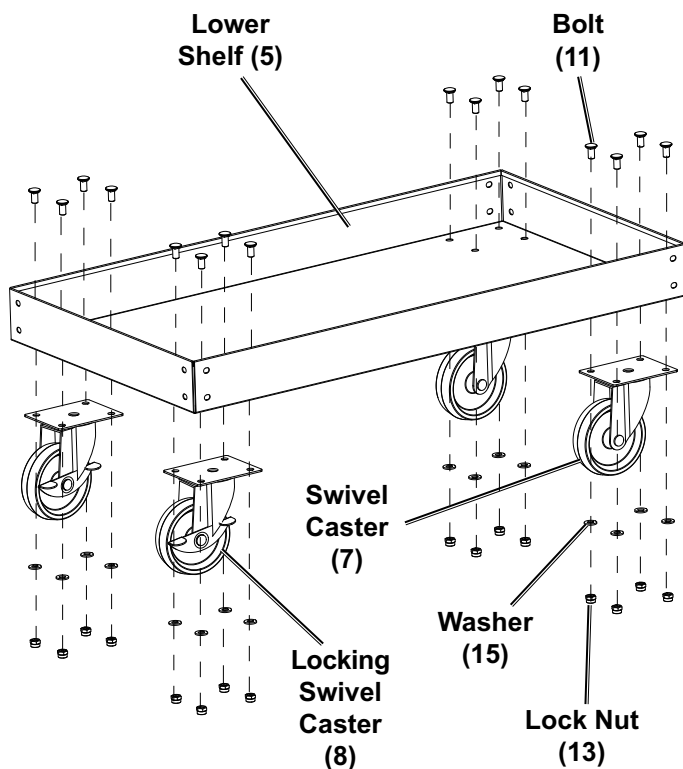
Assembly Instructions



Read the **ENTIRE IMPORTANT SAFETY INFORMATION** section at the beginning of this document including all text under subheadings therein before set up or use of this product.

Note: Finger tighten hardware until assembly is complete.

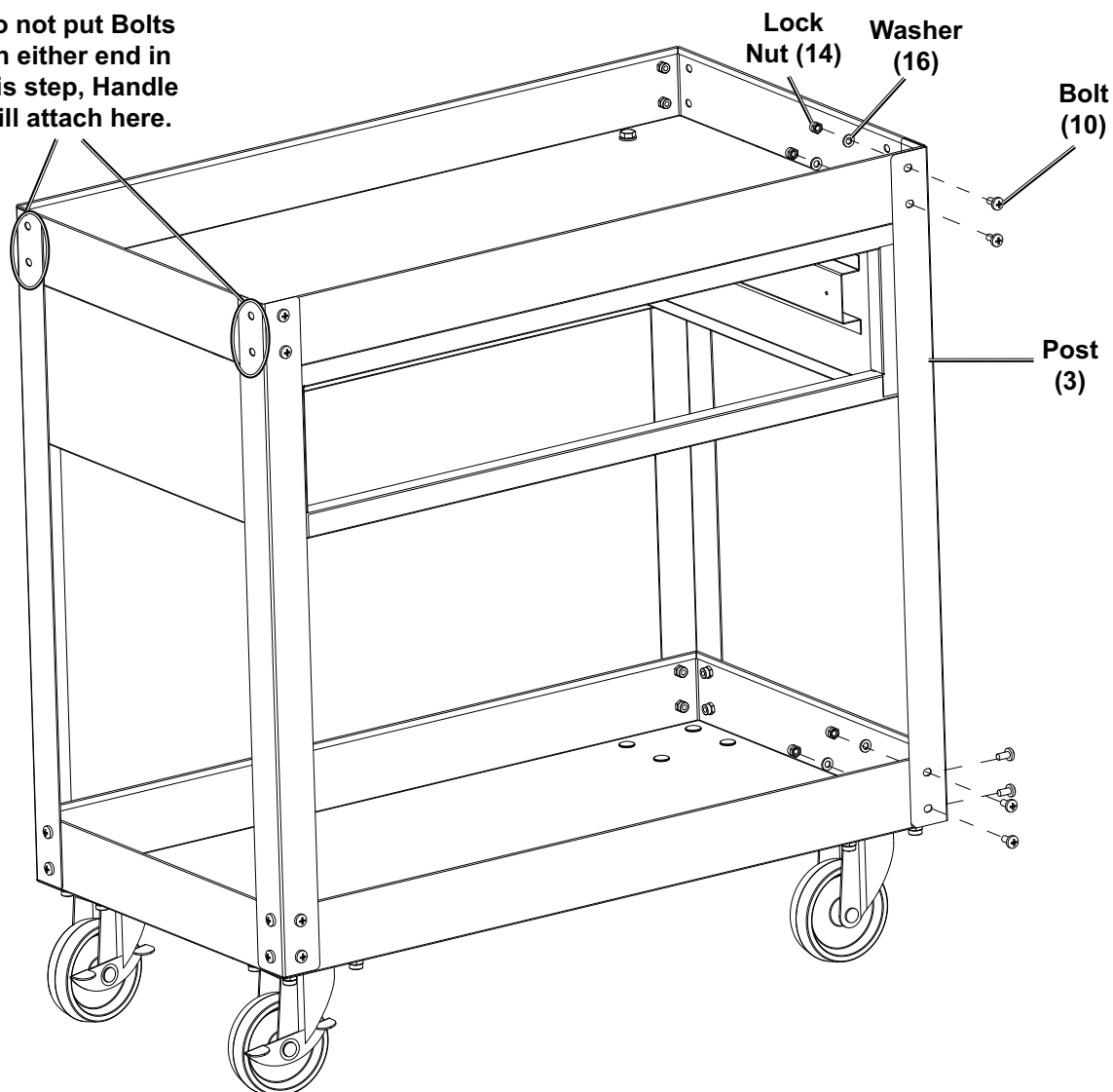
1. Assemble on a flat, level, hard and smooth surface capable of safely supporting a fully loaded Cart.
2. Attach two Swivel Casters (7) to one side of Lower Shelf (5), using eight Carriage Bolts (11), Washers (15), and Lock Nuts (13).
3. Attach two Locking Swivel Casters (8) to other side, using eight Carriage Bolts (11), Washers (15), and Lock Nuts (13).
4. Attach Upper Shelf (2) to Drawer Frame (1), using four Bolts (12), eight Washers (15), and four Lock Nuts (13).



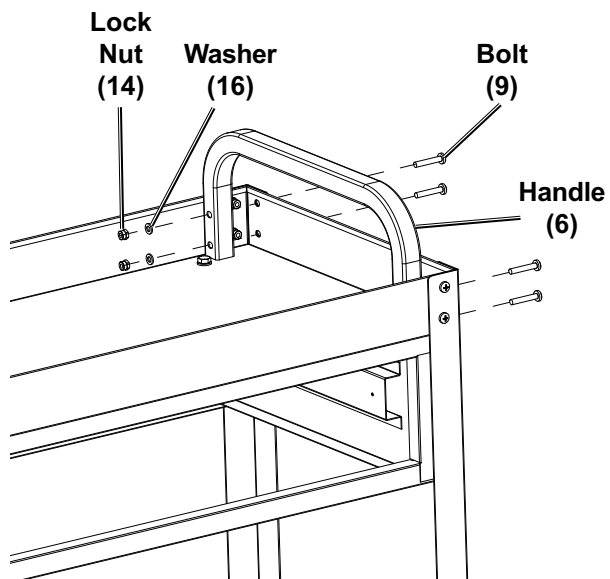
U.S. GENERAL

5. Lock Locking Swivel Casters.
6. Attach one Post (3) to each corner of Drawer/Shelf assembly and Lower Shelf, using twenty four Bolts (10), Washers (16) and Lock Nuts (14) total, eight on top and sixteen on the bottom, as shown below.

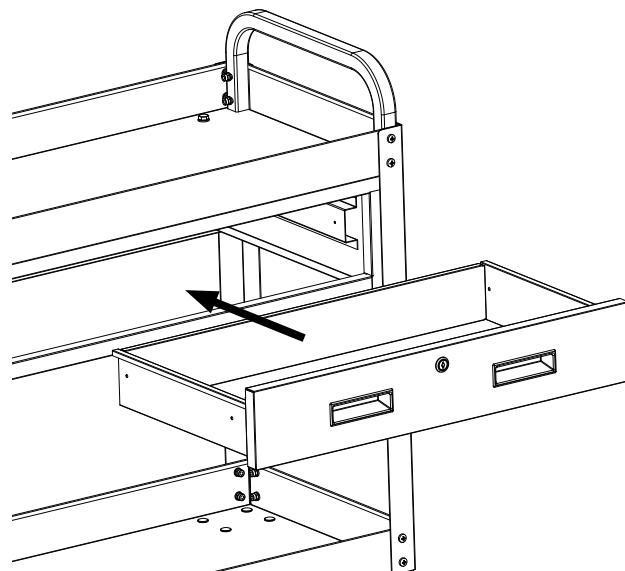
Do not put Bolts on either end in this step, Handle will attach here.



7. Attach one Handle (6) to each end, using eight Bolts (9), Washers (16), and Lock Nuts (14).



8. Tighten all hardware.
9. Slide Drawer (4) into Drawer Frame.



Operation Instructions



Read the **ENTIRE IMPORTANT SAFETY INFORMATION** section at the beginning of this document including all text under subheadings therein before set up or use of this product.

1. Fill Cart evenly, from bottom to top.
Do not exceed weight capacities.
2. Close and lock Drawer.
3. Unlock Locking Swivel Casters.
4. Roll Cart to a flat, level, hard and smooth surface capable of safely supporting a fully loaded Cart. Do not roll Cart over concrete seams or other rough/uneven surfaces.
5. Lock Locking Swivel Casters.

Maintenance and Servicing



Procedures not specifically explained in this manual must be performed only by a qualified technician.

!WARNING

TO PREVENT SERIOUS INJURY FROM TOOL FAILURE:

Do not use damaged equipment. If any part becomes damaged, have the problem corrected before further use.

1. **PERIODICALLY**, inspect the general condition of the Cart. Check for:
 - loose hardware,
 - misalignment or binding of moving parts,
 - brake operation,
 - caster swivel function and movement,
 - cracked or broken parts,
 - any other condition that may affect its safe operation.
2. Wipe external surfaces of the Cart with clean cloth.
3. Lubricate Drawer Slides as needed.

PLEASE READ THE FOLLOWING CAREFULLY

THE MANUFACTURER AND/OR DISTRIBUTOR HAS PROVIDED THE PARTS LIST AND ASSEMBLY DIAGRAM IN THIS DOCUMENT AS A REFERENCE TOOL ONLY. NEITHER THE MANUFACTURER OR DISTRIBUTOR MAKES ANY REPRESENTATION OR WARRANTY OF ANY KIND TO THE BUYER THAT HE OR SHE IS QUALIFIED TO MAKE ANY REPAIRS TO THE PRODUCT, OR THAT HE OR SHE IS QUALIFIED TO REPLACE ANY PARTS OF THE PRODUCT. IN FACT, THE MANUFACTURER AND/OR DISTRIBUTOR EXPRESSLY STATES THAT ALL REPAIRS AND PARTS REPLACEMENTS SHOULD BE UNDERTAKEN BY CERTIFIED AND LICENSED TECHNICIANS, AND NOT BY THE BUYER. THE BUYER ASSUMES ALL RISK AND LIABILITY ARISING OUT OF HIS OR HER REPAIRS TO THE ORIGINAL PRODUCT OR REPLACEMENT PARTS THERETO, OR ARISING OUT OF HIS OR HER INSTALLATION OF REPLACEMENT PARTS THERETO.

Parts List and Diagram

Parts List

Part	Description	Qty
1	Drawer Frame	1
2	Upper Shelf	1
3	Post	4
4	Drawer	1
5	Lower Shelf	1
6	Handle	2
7	Swivel Caster	2
8	Locking Swivel Caster	2

Part	Description	Qty
9	Bolt M6x35	8
10	Bolt M6x10	24
11	Carriage Bolt M8x16	16
12	Bolt M8x16	4
13	Lock Nut M8	20
14	Lock Nut M6	32
15	Washer Ø8	24
16	Washer Ø6	32

Record Serial Number Here: _____

Note: If product has no serial number, record month and year of purchase instead.

Note: Some parts are listed and shown for illustration purposes only, and are not available individually as replacement parts. Parts may not be interchangeable. Specify UPC number when ordering:

Red: 64058 UPC 792363640589

Yellow: 58471 UPC 193175439833

Black: 56604 UPC 792363566049

Orange: 58472 UPC 193175439840

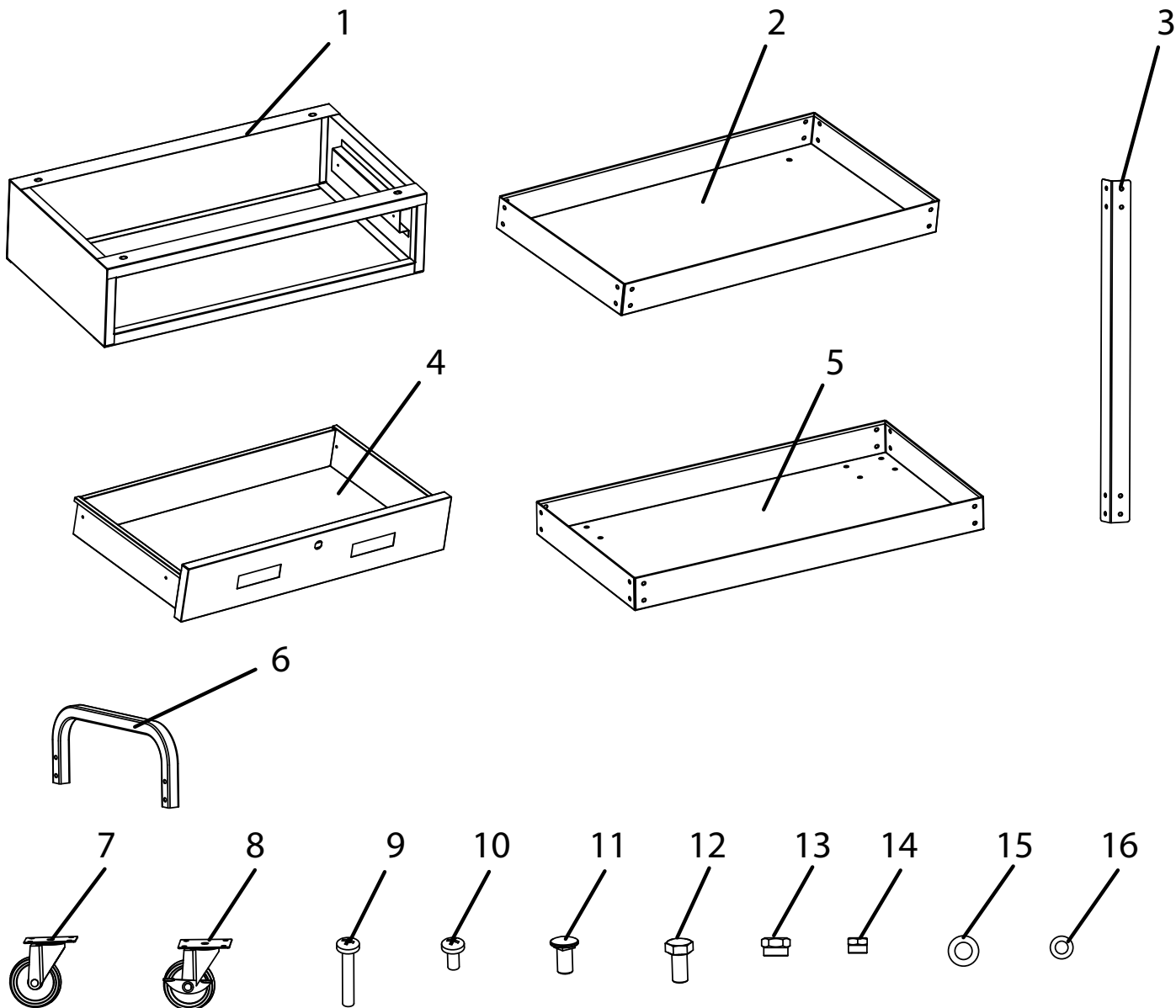
Blue: 56606 UPC 792363566063

White: 58338 UPC 193175437563

Green: 56607 UPC 792363566070

Slate Gray: 59851 UPC 193175487971

Assembly Diagram



Limited 90 Day Warranty

Harbor Freight Tools Co. makes every effort to assure that its products meet high quality and durability standards, and warrants to the original purchaser that this product is free from defects in materials and workmanship for the period of 90 days from the date of purchase. This warranty does not apply to damage due directly or indirectly, to misuse, abuse, negligence or accidents, repairs or alterations outside our facilities, criminal activity, improper installation, normal wear and tear, or to lack of maintenance. We shall in no event be liable for death, injuries to persons or property, or for incidental, contingent, special or consequential damages arising from the use of our product. Some states do not allow the exclusion or limitation of incidental or consequential damages, so the above limitation of exclusion may not apply to you. THIS WARRANTY IS EXPRESSLY IN LIEU OF ALL OTHER WARRANTIES, EXPRESS OR IMPLIED, INCLUDING THE WARRANTIES OF MERCHANTABILITY AND FITNESS.

To take advantage of this warranty, the product or part must be returned to us with transportation charges prepaid. Proof of purchase date and an explanation of the complaint must accompany the merchandise. If our inspection verifies the defect, we will either repair or replace the product at our election or we may elect to refund the purchase price if we cannot readily and quickly provide you with a replacement. We will return repaired products at our expense, but if we determine there is no defect, or that the defect resulted from causes not within the scope of our warranty, then you must bear the cost of returning the product.

This warranty gives you specific legal rights and you may also have other rights which vary from state to state.

U.S. GENERAL

26677 Agoura Road • Calabasas, CA 91302 • 1-888-866-5797