

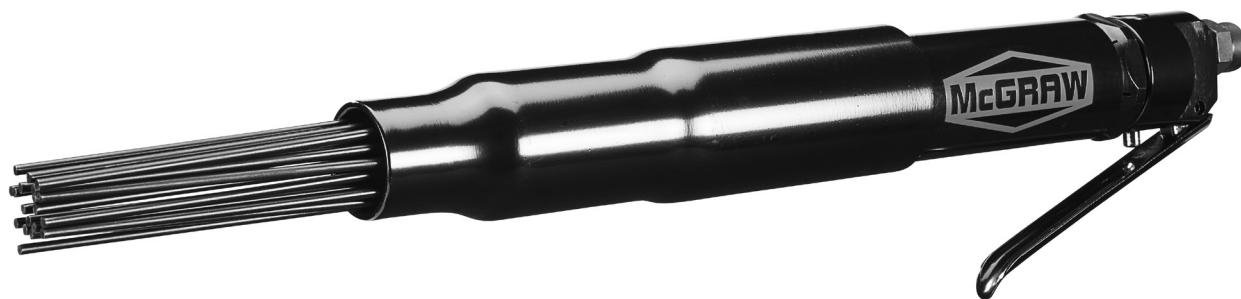
# Owner's Manual & Safety Instructions

**Save This Manual** Keep this manual for the safety warnings and precautions, assembly, operating, inspection, maintenance and cleaning procedures. Write the product's serial number in the back of the manual (or month and year of purchase if product has no number). Keep this manual and the receipt in a safe and dry place for future reference.

22d



## AIR NEEDLE SCALER



Visit our website at: <http://www.harborfreight.com>  
Email our technical support at: [productsupport@harborfreight.com](mailto:productsupport@harborfreight.com)

58645

When unpacking, make sure that the product is intact and undamaged. If any parts are missing or broken, please call 1-888-866-5797 as soon as possible.

Copyright© 2022 by Harbor Freight Tools®. All rights reserved.  
No portion of this manual or any artwork contained herein may be reproduced in any shape or form without the express written consent of Harbor Freight Tools. Diagrams within this manual may not be drawn proportionally. Due to continuing improvements, actual product may differ slightly from the product described herein.  
Tools required for assembly and service may not be included.

### **⚠ WARNING**

Read this material before using this product.  
Failure to do so can result in serious injury.  
**SAVE THIS MANUAL.**

# Table of Contents

|                      |    |                              |    |
|----------------------|----|------------------------------|----|
| Safety .....         | 2  | Maintenance .....            | 13 |
| Specifications ..... | 6  | Parts List and Diagram ..... | 14 |
| Setup .....          | 7  | Warranty .....               | 16 |
| Operation.....       | 11 |                              |    |

SAFETY



SETUP

OPERATION

MAINTENANCE

| WARNING SYMBOLS AND DEFINITIONS |  |
|---------------------------------|--|
|                                 | This is the safety alert symbol. It is used to alert you to potential personal injury hazards. Obey all safety messages that follow this symbol to avoid possible injury or death. |
|                                 | Indicates a hazardous situation which, if not avoided, will result in death or serious injury.   |
|                                 | Indicates a hazardous situation which, if not avoided, could result in death or serious injury.  |
|                                 | Indicates a hazardous situation which, if not avoided, could result in minor or moderate injury.   |
|                                 | Addresses practices not related to personal injury.  |

## IMPORTANT SAFETY INSTRUCTIONS

### INSTRUCTIONS PERTAINING TO A RISK OF FIRE, ELECTRIC SHOCK, OR INJURY TO PERSONS

**WARNING** – When using tools, basic precautions should always be followed, including the following:

#### General

To reduce the risks of electric shock, fire, and injury to persons, read all the instructions before using the tool.

#### Work Area

1. **Keep the work area clean and well lighted.** Cluttered benches and dark areas increase the risks of electric shock, fire, and injury to persons.
2. **Do not operate the tool in explosive atmospheres, such as in the presence of flammable liquids, gases, or dust.** The tool is liable to create sparks resulting in the ignition of the dust or fumes.

3. **Keep bystanders, children, and visitors away while operating the tool.** Distractions are liable to result in the loss of control of the tool.

## Personal Safety

1. **Stay alert. Watch what you are doing and use common sense when operating the tool. Do not use the tool while tired or under the influence of drugs, alcohol, or medication.** A moment of inattention while operating the tool increases the risk of injury to persons.
2. **Dress properly. Do not wear loose clothing or jewelry. Contain long hair. Keep hair, clothing, and gloves away from moving parts.** Loose clothes, jewelry, or long hair increases the risk of injury to persons as a result of being caught in moving parts.
3. **Avoid unintentional starting. Be sure the throttle is off before connecting to the air supply.** Do not carry the tool with your finger on the throttle or connect the tool to the air supply with the throttle on.

4. **Do not overreach. Keep proper footing and balance at all times.** Proper footing and balance enables better control of the tool in unexpected situations.

5.  **Use safety equipment.** A dust mask, non-skid safety shoes and a hard hat must be used for the applicable conditions.
6.  **Always wear eye protection.** Wear ANSI-approved safety goggles.
7.  **Always wear hearing protection when using the tool.** Prolonged exposure to high intensity noise is able to cause hearing loss.


## Tool Use and Care

1. **Use clamps or another practical way to secure and support the workpiece to a stable platform.** Holding the work by hand or against the body is unstable and is liable to lead to loss of control.
2. **Do not force the tool.** Use the correct tool for the application. The correct tool will do the job better and safer at the rate for which the tool is designed.
3. **Do not use the tool if the throttle does not turn the tool on or off.** Any tool that cannot be controlled with the throttle is dangerous and must be repaired.
4. **Disconnect the tool from the air source before making any adjustments, changing accessories, or storing the tool.** Such preventive safety measures reduce the risk of starting the tool unintentionally. Turn off and detach the air supply, safely discharge any residual air pressure, and release the throttle before leaving the work area.
5. **Store the tool when it is idle out of reach of children and other untrained persons.** A tool is dangerous in the hands of untrained users.
6. **Maintain the tool with care.** Keep a cutting tool sharp and clean. A properly maintained tool, with sharp cutting edges reduces the risk of binding and is easier to control.
7. **Check for misalignment or binding of moving parts, breakage of parts, and any other condition that affects the tool's operation.** If damaged, have the tool serviced before using. Many accidents are caused by poorly maintained tools. There is a risk of bursting if the tool is damaged.
8. **Use only accessories that are identified by the manufacturer for the specific tool model.** Use of an accessory not intended for use with the specific tool model, increases the risk of injury to persons.

## Service

1. **Tool service must be performed only by qualified repair personnel.**
2. **When servicing a tool, use only identical replacement parts. Use only authorized parts.**
3. **Use only the lubricants supplied with the tool or specified by the manufacturer.**

# Air Source

- 

**Never connect to an air source that is capable of exceeding 200 psi.** Over pressurizing the tool may cause bursting, abnormal operation, breakage of the tool or serious injury to persons. Use only clean, dry, regulated compressed air at the rated pressure or within the rated pressure range as marked on the tool. Always verify prior to using the tool that the air source has been adjusted to the rated air pressure or within the rated air-pressure range.
- Never use oxygen, carbon dioxide, combustible gases or any bottled gas as an air source for the tool.** Such gases are capable of explosion and serious injury to persons.







**SAVE THESE INSTRUCTIONS.**

## Symbols and Specific Safety Instructions

### Symbol Definitions

| Symbol               | Property or statement                             |
|----------------------|---|
| <b>n<sub>o</sub></b> | No-load speed                                     |
| <b>.../min</b>       | Revolutions or reciprocation per minute           |
| <b>PSI</b>           | Pounds per square inch of pressure                |
| <b>ft-lb</b>         | Foot-pounds of torque                             |
| <b>BPM</b>           | Blows per minute                                  |
| <b>CFM</b>           | Cubic Feet per Minute flow                        |
| <b>SCFM</b>          | Cubic Feet per Minute flow at standard conditions |

| Symbol  | Property or statement  |
|---|--|
| <b>NPT</b>  | National pipe thread, tapered  |
| <b>NPS</b>  | National pipe thread, straight   |
|  | WARNING marking concerning Risk of Eye Injury. Wear ANSI-approved eye protection.                |
|  | WARNING marking concerning Risk of Hearing Loss. Wear hearing protection.                        |
|  | WARNING marking concerning Risk of Respiratory Injury. Wear NIOSH-approved dust mask/respirator. |
|  | WARNING marking concerning Risk of Explosion.  |

## Specific Safety Instructions

---

1. The warnings and precautions discussed in this manual cannot cover all possible conditions and situations that may occur. It must be understood by the operator that common sense and caution are factors which cannot be built into this product, but must be supplied by the operator.
2. Only use with accessories rated to handle the forces exerted by this tool during operation. Other accessories not designed for the forces generated may break and forcefully launch pieces.
3. Attach all accessories properly to the tool before connecting the air supply. A loose accessory may detach or break during operation.
4. Obey the manual for the air compressor used to power this tool.
5. Install an in-line shutoff valve to allow immediate control over the air supply in an emergency, even if a hose is ruptured.
6. Use this tool with both hands only. Using tools with only one hand can result in loss of control.
7. Do not lay the tool down until it has come to a complete stop. Moving parts can grab the surface and pull the tool out of your control.

## Vibration Precautions

---

This tool vibrates during use. Repeated or long-term exposure to vibration may cause temporary or permanent physical injury, particularly to the hands, arms and shoulders. To reduce the risk of vibration-related injury:

1. Anyone using vibrating tools regularly or for an extended period should first be examined by a doctor and then have regular medical check-ups to ensure medical problems are not being caused or worsened from use. Pregnant women or people who have impaired blood circulation to the hand, past hand injuries, nervous system disorders, diabetes, or Raynaud's Disease should not use this tool. If you feel any symptoms related to vibration (such as tingling, numbness, and white or blue fingers), seek medical advice as soon as possible.
2. Do not smoke during use. Nicotine reduces the blood supply to the hands and fingers, increasing the risk of vibration-related injury.
3. Wear suitable gloves to reduce the vibration effects on the user.
4. Use tools with the lowest vibration when there is a choice.
5. Include vibration-free periods each day of work.
6. Grip tool as lightly as possible (while still keeping safe control of it). Let the tool do the work.
7. To reduce vibration, maintain tool as explained in this manual. If abnormal vibration occurs, stop immediately.



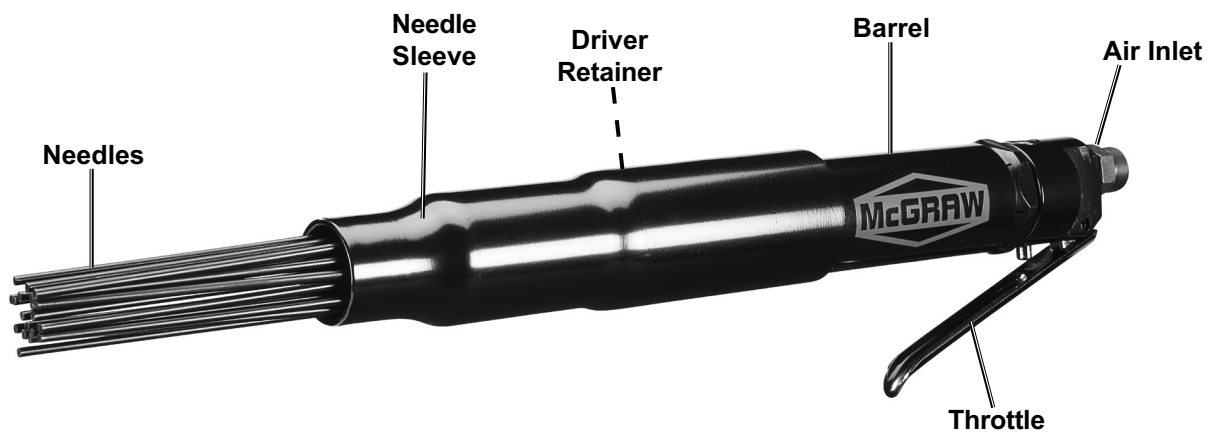
**SAVE THESE INSTRUCTIONS.**

## Functional Description

## Specifications

|                         |                            |
|-------------------------|----------------------------|
| Stroke                  | 1-1/2"                     |
| Blows Per Minute        | 4,100                      |
| Average Air Consumption | 20 SCFM (2.9 CFM @ 90 PSI) |
| Air Inlet               | 1/4" NPT                   |

## Components and Controls



SAFETY

SETUP

OPERATION

MAINTENANCE

## Initial Tool Setup/Assembly



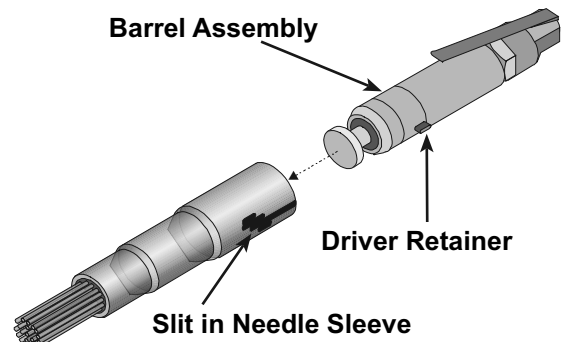
Read the **ENTIRE IMPORTANT SAFETY INFORMATION** section at the beginning of this manual including all text under subheadings therein before setup or use of this product.

**Note:** For additional information regarding the parts listed in the following pages, refer to the Assembly Diagram near the end of this manual.

**Note:** This air tool may be shipped with a protective plug covering the air inlet. Remove this plug before setup.

## Assembly

1. During shipment, some Needles may fall out of the Needle Holder. If so, remove the Needle Holder, Needles, and Spring from the Needle Sleeve.
2. There should be 19 Needles. If Needles are missing, call Harbor Freight Tools. If any of the Needles are bent, do not use them.
3. Insert the small ends of the Needles into the holes in the Needle Holder. The Needles should sit flush with the top of the Needle Holder.
4. Slide the Spring over the Needles.
5. Slide the Needle Assembly into the Needle Sleeve.
6. Line up the Driver Retainer with the slit in the Needle Sleeve. Insert the Barrel Assembly into the Needle Sleeve.



# Air Supply

SAFETY

SETUP

OPERATION

MAINTENANCE

## **⚠ WARNING**



### **TO PREVENT SERIOUS INJURY FROM EXPLOSION:**

**Use only clean, dry, regulated, compressed air to power this tool.**

**Do not use oxygen, carbon dioxide, combustible gases, or any other bottled gas as a power source for this tool.**

1. Incorporate a filter, regulator with pressure gauge, oiler, in-line shutoff valve, and quick coupler for best service, as shown on Figure A on page 9 and Figure B on page 10. **An in-line shutoff ball valve is an important safety device because it controls the air supply even if the air hose is ruptured. The shutoff valve should be a ball valve because it can be closed quickly.**
2. Attach an air hose to the compressor's air outlet. Connect the air hose to the air inlet of the tool. Other components, such as a coupler plug and quick coupler, will make operation more efficient, but are not required.
3. Turn the tool's throttle to the off position; refer to Operation section for description of controls.
4. Close the in-line shutoff valve between the compressor and the tool.
5. Turn on the air compressor according to the manufacturer's directions and allow it to build up pressure until it cycles off.
6. Adjust the air compressor's output regulator so that the air output is enough to properly power the tool, but the output will not exceed the tool's maximum air pressure at any time. Adjust the pressure gradually, while checking the air output gauge to set the right pressure range.
7. Inspect the air connections for leaks. Repair any leaks found.
8. If the tool will not be used at this time, turn off and detach the air supply, safely discharge any residual air pressure, and release the Throttle to prevent accidental operation.
9. Residual air pressure should not be present after the tool is disconnected from the air supply. However, it is a good safety measure to attempt to discharge the tool in a safe fashion after disconnecting to ensure that the tool is disconnected and not powered.

**Note:** If an automatic oiler system is not used, add a few drops of Pneumatic Tool Oil to the airline connection before operation. Add a few more drops after each hour of continual use.

### **⚠ WARNING! TO PREVENT SERIOUS INJURY FROM ACCIDENTAL OPERATION:**

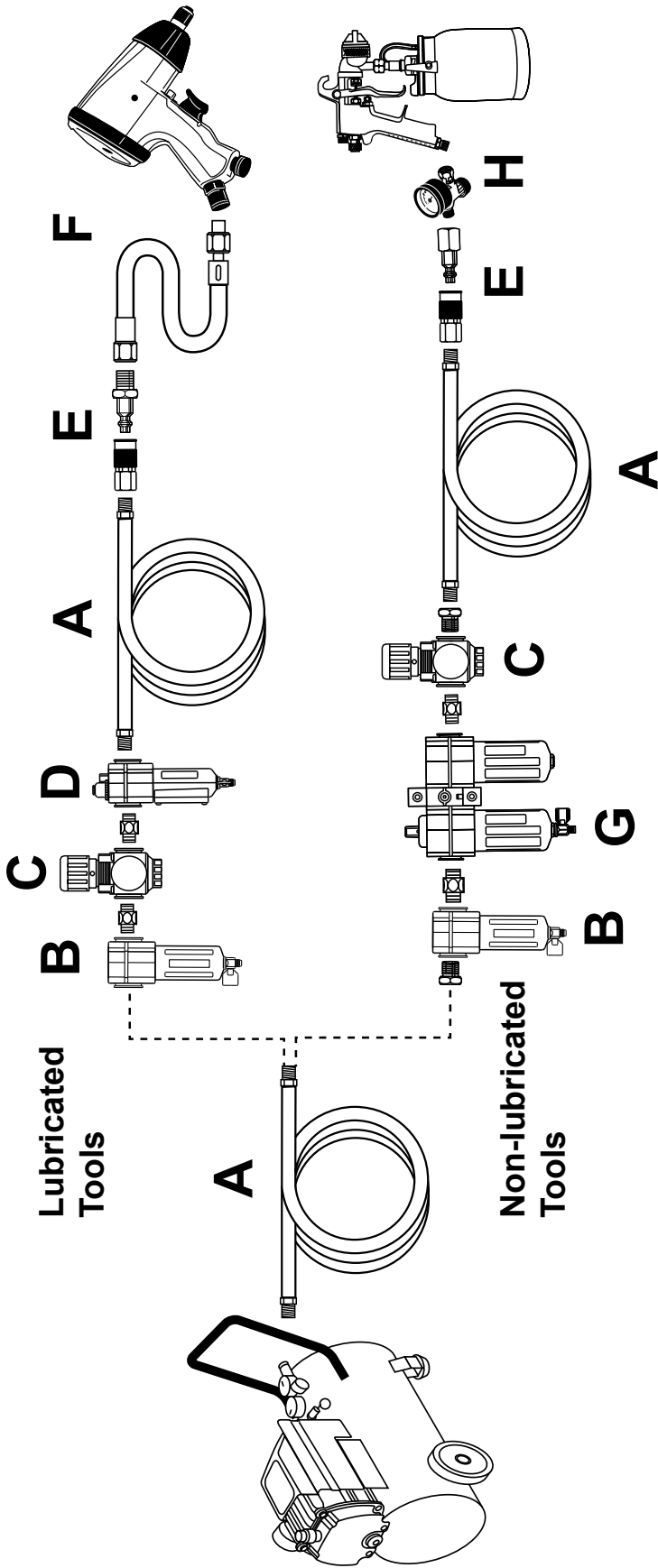
**Do not install a female quick coupler on the tool.**

Such a coupler contains an air valve that will allow the air tool to retain pressure and operate accidentally after the air supply is disconnected.

**Note:** Air flow, and therefore tool performance, can be hindered by undersized air supply components. The air hose must be long enough to reach the work area with enough extra length to allow free movement while working.

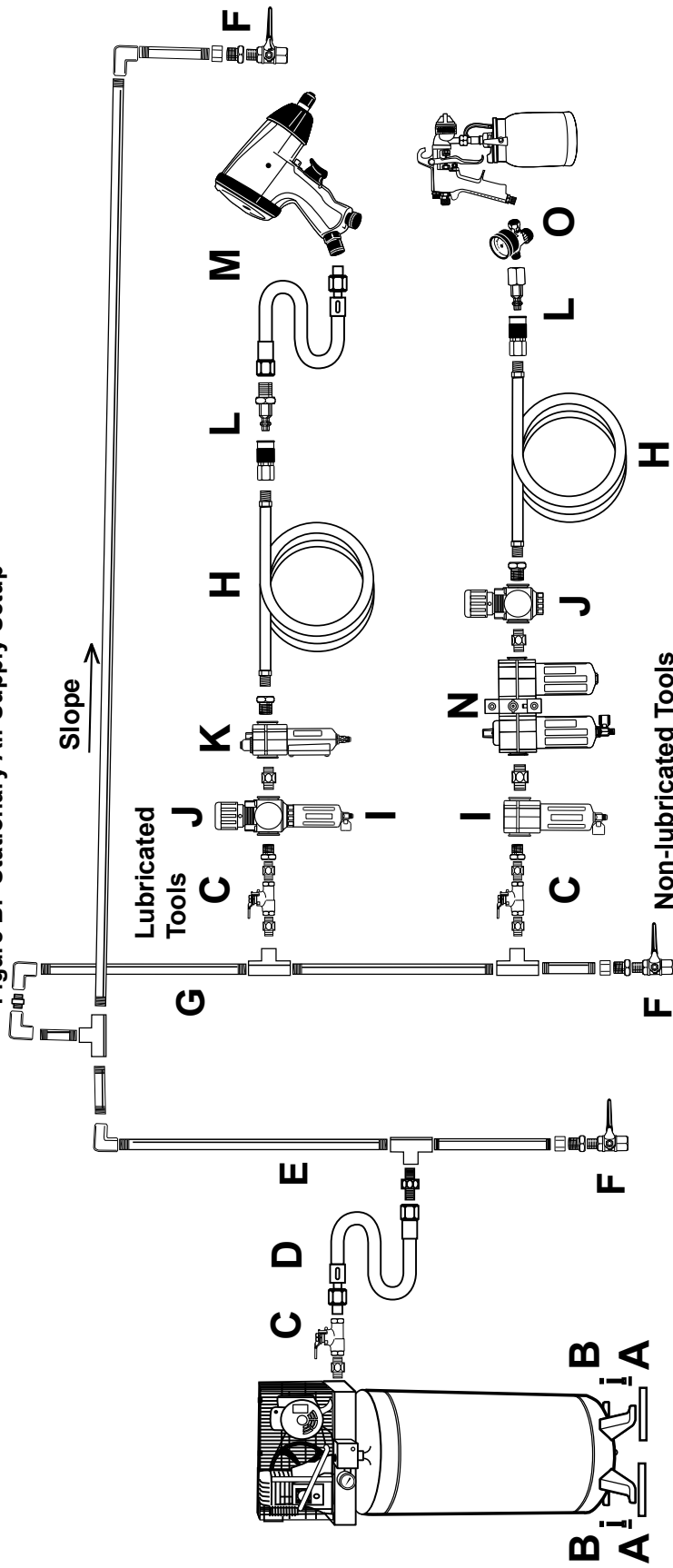


Figure A: Portable Air Supply Setup



|   | Description                    | Function   |
|---|--------------------------------|--|
| A | Air Hose                       | Connects air to tool   |
| B | Filter                         | Prevents dirt and condensation from damaging tool or workpiece |
| C | Regulator                      | Adjusts air pressure to tool                                   |
| D | Lubricator (optional)          | For air tool lubrication                                       |
| E | Coupler and Plug               | Provides quick connection and release                          |
| F | Leader Hose (optional)         | Increases coupler life   |
| G | Air Cleaner / Dryer (optional) | Prevents water vapor from damaging workpiece                   |
| H | Air Adjusting Valve (optional) | For fine tuning airflow at tool                                |

Figure B: Stationary Air Supply Setup



| Description                                  | Function   |
|--|--|
| A Vibration Pads                             | For noise and vibration reduction                              |
| B Anchor Bolts                               | Secures air compressor in place                                |
| C Ball Valve                                 | Isolates sections of system for maintenance                    |
| D Isolation Hose                             | For vibration reduction  |
| E Main Air Line - 3/4" minimum recommended   | Distributes air to branch lines                                |
| F Ball Valve                                 | To drain moisture from system                                  |
| G Branch Air Line - 1/2" minimum recommended | Brings air to point of use                                     |
| H Air Hose                                   | Connects air to tool   |
| I Filter                                     | Prevents dirt and condensation from damaging tool or workpiece |
| J Regulator                                  | Adjusts air pressure to tool                                   |
| K Lubricator (optional)                      | For air tool lubrication                                       |
| L Coupler and Plug                           | Provides quick connection and release                          |
| M Leader Hose (optional)                     | Increases coupler life   |
| N Air Cleaner / Dryer (optional)             | Prevents water vapor from damaging workpiece                   |
| O Air Adjusting Valve (optional)             | For fine tuning airflow at tool                                |

## Operating Instructions



Read the **ENTIRE IMPORTANT SAFETY INFORMATION** section at the beginning of this manual including all text under subheadings therein before setup or use of this product.

Inspect tool before use, looking for damaged, loose, and missing parts.  
If any problems are found, do not use tool until repaired.

## Tool Setup

### **WARNING**

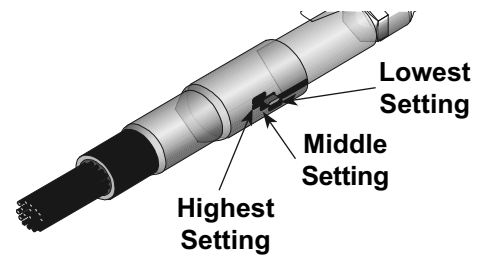
**TO PREVENT SERIOUS INJURY FROM ACCIDENTAL OPERATION:**

Turn off the tool, detach the air supply, safely discharge any residual air pressure in the tool, and release the Throttle before performing any inspection, maintenance, or cleaning procedures.

**TO PREVENT SERIOUS INJURY:**

Do not adjust or tamper with any control or component in a way not specifically explained within this manual. Improper adjustment can result in tool failure or other serious hazards.

1. To set the force of the scaler, push the Barrel Assembly against the Spring until the Driver Retainer slides into the first notch (lowest setting) in the Needle Sleeve.
2. To make the scaling action stronger, move the Driver Retainer into the second or third notch. Use the second and third notches only when using the first notch delivers unsatisfactory results.



## Workpiece and Work Area Setup

1. Designate a work area that is clean and well lit. To prevent distraction and injury, the work area must not allow access by children or pets.
2. Route the air hose along a safe route to reach the work area without creating a tripping hazard or exposing the air hose to possible damage. The air hose must be long enough to reach the work area with enough extra length to allow free movement while working.
3. Secure loose workpieces using a vise or clamps (not included) to prevent movement while working.
4. There must not be hazardous objects (such as utility lines or foreign objects) nearby that will present a hazard while working.



# General Operating Instructions

SAFETY

1. If an automatic oiler is not used, add a few drops of Pneumatic Tool Oil to the airline connection before use. Add a few drops more after each hour of continual use.
2. Grip the Air Needle Scaler with both hands. Place one hand on the Needle Sleeve and the other hand on the Barrel for best control.
3. Press the Throttle to turn on the tool. Make sure the Needles are not touching any surface before you press the Trigger.

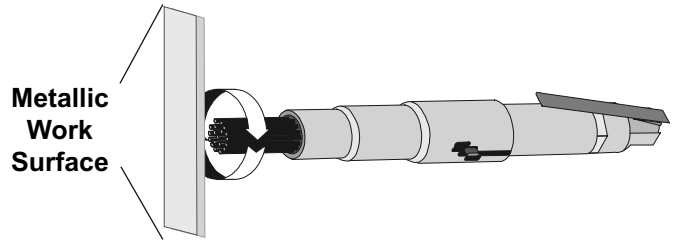
SETUP

4. Place the vibrating Needles on the surface residue to remove. Move the tool around in the residue area.
5. Keep a light pressure on the Air Needle Scaler while in use. Do not apply heavy pressure, as damage to the surface area may result.
6. If the tool requires more force to accomplish the task, verify that the tool receives sufficient, unobstructed airflow (CFM) and increase the pressure (PSI) output of the regulator up to the maximum air pressure rating of this tool.

OPERATION

MAINTENANCE

**CAUTION! TO PREVENT INJURY FROM TOOL OR ACCESSORY FAILURE: Do not exceed the tool's maximum air pressure rating.** If the tool still does not have sufficient force at maximum pressure and sufficient airflow, then a larger tool may be required.



7. If the Air Needle Scaler does not remove the residue even after repeated brief attempts on the highest setting, do not continue attempts to remove the residue. Use another method to remove the residue.
8. To prevent accidents, turn off the tool, detach the air supply, safely discharge any residual air pressure in the tool, and release the throttle and/or turn the switch to its off position after use. Clean external surfaces of the tool with clean, dry cloth, and apply a thin coat of tool oil. Then store the tool indoors out of children's reach.

## User-Maintenance Instructions



Procedures not specifically explained in this manual must be performed only by a qualified technician.

### **!WARNING**

#### **TO PREVENT SERIOUS INJURY FROM ACCIDENTAL OPERATION:**

Turn off the tool, detach the air supply, safely discharge any residual air pressure in the tool, and release the Throttle before performing any inspection, maintenance, or cleaning procedures.

#### **TO PREVENT SERIOUS INJURY FROM TOOL FAILURE:**

Do not use damaged equipment. If abnormal noise, vibration, or leaking air occurs, have the problem corrected before further use.



#### **TO PREVENT SERIOUS INJURY FROM EXPLOSION:**

Lubricate the tool only with specified lubricants.

Lubricate the air inlet using only pneumatic tool oil. Other lubricants may damage the mechanism and may be highly flammable, causing an explosion.

## Cleaning, Maintenance, and Lubrication

**Note:** These procedures are in addition to the regular checks and maintenance explained as part of the regular operation of the air-operated tool.

- BEFORE EACH USE**, inspect the general condition of the tool. Check for:
  - loose hardware or housing,
  - misalignment or binding of moving parts,
  - cracked or broken parts, and
  - any other condition that may affect its safe operation.
- Daily - Air Supply Maintenance:**

Every day, maintain the air supply according to the component manufacturers' instructions. Maintain the lubricator's oil level. Drain the moisture filter regularly. Performing routine air supply maintenance will allow the tool to operate more safely and will also reduce wear on the tool.

**PLEASE READ THE FOLLOWING CAREFULLY**

THE MANUFACTURER AND/OR DISTRIBUTOR HAS PROVIDED THE PARTS LIST AND ASSEMBLY DIAGRAM IN THIS MANUAL AS A REFERENCE TOOL ONLY. NEITHER THE MANUFACTURER OR DISTRIBUTOR MAKES ANY REPRESENTATION OR WARRANTY OF ANY KIND TO THE BUYER THAT HE OR SHE IS QUALIFIED TO MAKE ANY REPAIRS TO THE PRODUCT, OR THAT HE OR SHE IS QUALIFIED TO REPLACE ANY PARTS OF THE PRODUCT. IN FACT, THE MANUFACTURER AND/OR DISTRIBUTOR EXPRESSLY STATES THAT ALL REPAIRS AND PARTS REPLACEMENTS SHOULD BE UNDERTAKEN BY CERTIFIED AND LICENSED TECHNICIANS, AND NOT BY THE BUYER. THE BUYER ASSUMES ALL RISK AND LIABILITY ARISING OUT OF HIS OR HER REPAIRS TO THE ORIGINAL PRODUCT OR REPLACEMENT PARTS THERETO, OR ARISING OUT OF HIS OR HER INSTALLATION OF REPLACEMENT PARTS THERETO.

**Parts List**

| Part | Description    | Qty |
|------|----------------|-----|
| 1    | Housing        | 1   |
| 2    | O-Ring         | 1   |
| 3    | O-Ring         | 1   |
| 4    | Throttle Valve | 1   |
| 5    | Spring         | 1   |
| 6    | O-Ring         | 1   |
| 7    | Valve Cap      | 1   |
| 8    | Throttle       | 1   |
| 9    | Throttle Pin   | 1   |
| 10   | Hose Adapter   | 1   |
| 11   | Locking Ring   | 1   |

| Part | Description     | Qty |
|------|-----------------|-----|
| 12   | Alignment Shim  | 1   |
| 13   | Slide Group     | 1   |
| 14   | Piston          | 1   |
| 15   | Barrel Assembly | 1   |
| 16   | Driver Retainer | 1   |
| 17   | Retainer Buffer | 1   |
| 18   | Retainer Clip   | 1   |
| 19   | Needle Driver   | 1   |
| 20   | Needle          | 19  |
| 21   | Needle Holder   | 1   |
| 22   | Spring          | 1   |
| 23   | Needle Sleeve   | 1   |

SAFETY

SETUP

OPERATION

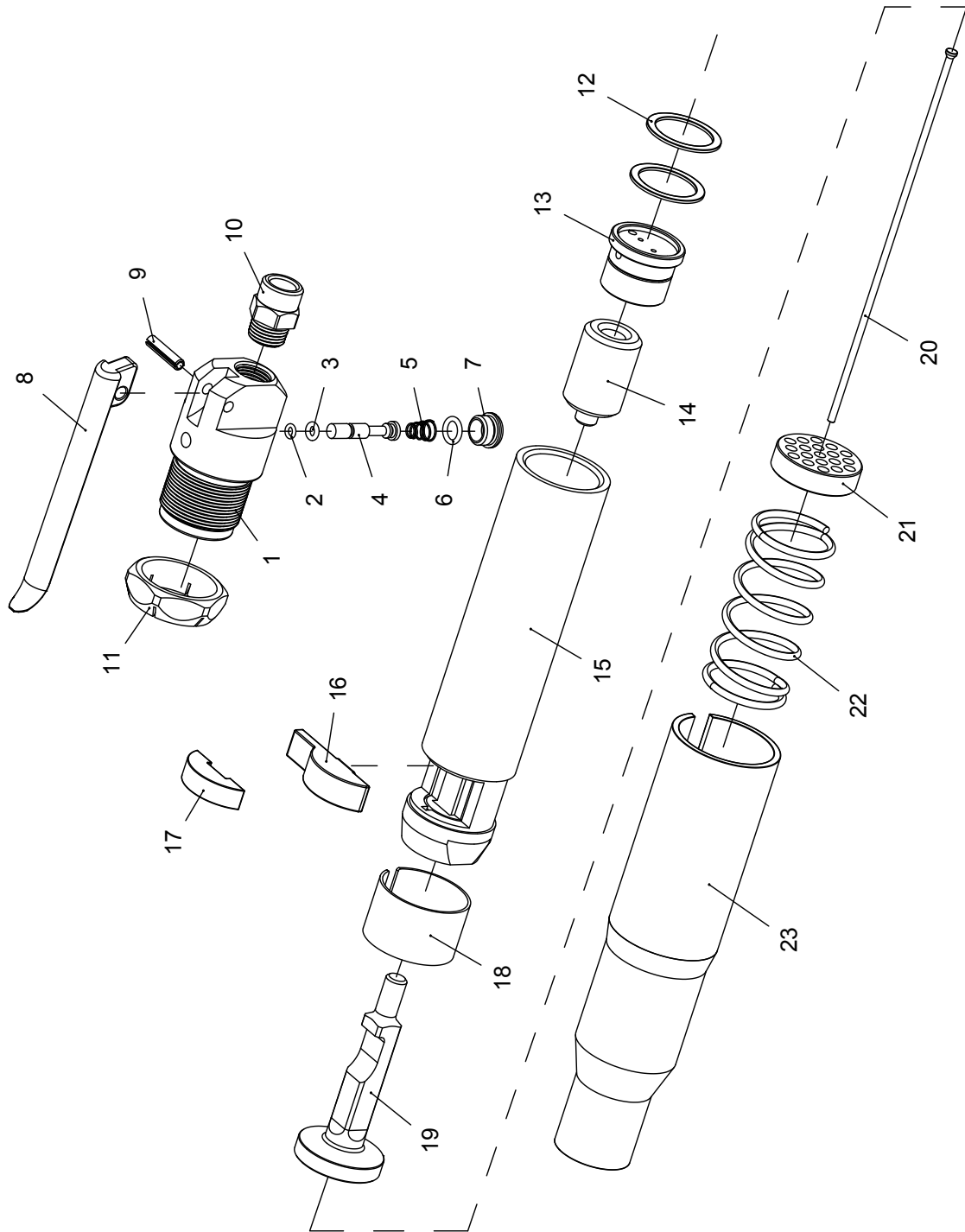
MAINTENANCE

Record Product's Serial Number Here: \_\_\_\_\_

**Note:** If product has no serial number, record month and year of purchase instead.

**Note:** Some parts are listed and shown for illustration purposes only, and are not available individually as replacement parts. Specify UPC 193175443229 when ordering parts.

# Assembly Diagram



SAFETY

SETUP

OPERATION

MAINTENANCE

## Limited 90 Day Warranty

Harbor Freight Tools Co. makes every effort to assure that its products meet high quality and durability standards, and warrants to the original purchaser that this product is free from defects in materials and workmanship for the period of 90 days from the date of purchase. This warranty does not apply to damage due directly or indirectly, to misuse, abuse, negligence or accidents, repairs or alterations outside our facilities, criminal activity, improper installation, normal wear and tear, or to lack of maintenance. We shall in no event be liable for death, injuries to persons or property, or for incidental, contingent, special or consequential damages arising from the use of our product. Some states do not allow the exclusion or limitation of incidental or consequential damages, so the above limitation of exclusion may not apply to you. THIS WARRANTY IS EXPRESSLY IN LIEU OF ALL OTHER WARRANTIES, EXPRESS OR IMPLIED, INCLUDING THE WARRANTIES OF MERCHANTABILITY AND FITNESS.

To take advantage of this warranty, the product or part must be returned to us with transportation charges prepaid. Proof of purchase date and an explanation of the complaint must accompany the merchandise. If our inspection verifies the defect, we will either repair or replace the product at our election or we may elect to refund the purchase price if we cannot readily and quickly provide you with a replacement. We will return repaired products at our expense, but if we determine there is no defect, or that the defect resulted from causes not within the scope of our warranty, then you must bear the cost of returning the product.

This warranty gives you specific legal rights and you may also have other rights which vary from state to state.

