

IMPORTANT SAFETY INSTRUCTIONS

1. Use appropriate personal protective equipment while handling and using Toilet Auger. Drains may contain chemicals, bacteria and other substances that may be toxic, infectious, cause burns or other issues. Appropriate personal protective equipment always includes ANSI-approved safety glasses and heavy-duty LEATHER work gloves, and may include equipment such as latex or rubber gloves, face shields, goggles, protective clothing, respirators and steel toed footwear.
2. Wash hands after use. Use hot, soapy water to wash hands and other exposed body parts exposed to drain contents after handling or using Toilet Auger. Do not eat or smoke while operating or handling Toilet Auger. This will help prevent contamination with toxic or infectious material.
3. Keep children and bystanders away while operating Toilet Auger. Distractions can cause you to lose control.
4. Stay alert, watch what you are doing and use common sense when operating Toilet Auger. Do not use Toilet Auger while you are tired or under the influence of drugs, alcohol or medication. A moment of inattention while operating may result in serious personal injury.
5. Do not put too much stress on cable. Quickly release tension if it starts to build in the cable. Excess tension will cause the cable to twist, kink, or break.
6. Only use to clean drains of recommended sizes according to these instructions. Other uses or modifying the Toilet Auger for other applications may increase the risk of injury.
7. The warnings, precautions, and instructions discussed in this instruction manual cannot cover all possible conditions and situations that may occur. It must be understood by the operator that common sense and caution are factors which cannot be built into this product, but must be supplied by the operator.

SAVE THESE INSTRUCTIONS

OPERATING INSTRUCTIONS



Read the **ENTIRE IMPORTANT SAFETY INFORMATION** section at the beginning of this manual including all text under subheadings therein before set up or use of this product.



WARNING! TO PREVENT SERIOUS INJURY: Wear ANSI-approved splash-resistant safety goggles, NIOSH-approved dust mask/respirator under face shield, heavy-duty LEATHER gloves, and other appropriate protective equipment when using

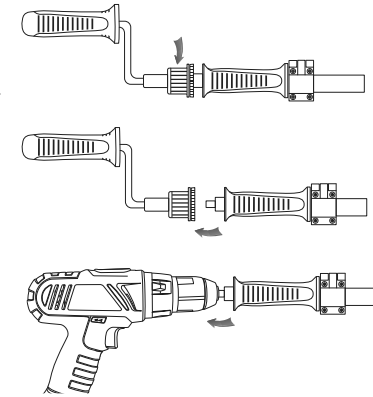
Toilet Auger. For extra protection from chemicals and bacteria on the tool and in the work area, wear latex, rubber or other liquid barrier gloves under the heavy-duty LEATHER work gloves. Before use, inspect gloves to be sure they are free of defects or loose sections that could be caught in the Toilet Auger Cable. Rubber soled, non-slip shoes can help prevent slipping, especially on wet surfaces.

Operation

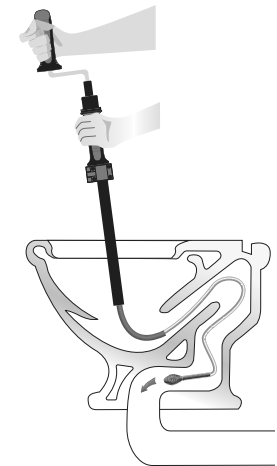
WARNING! TO PREVENT SERIOUS INJURY:

Do not use corded drill, only use cordless drill.

1. If using a drill, unscrew collar. Remove handle and attach end to drill.

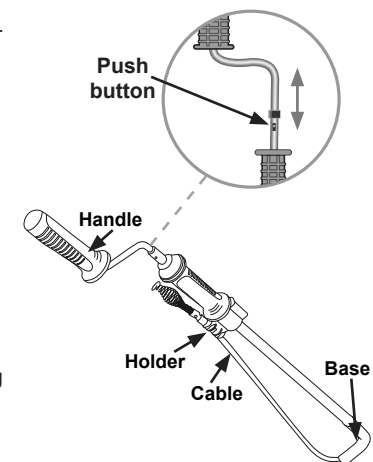


2. Insert Auger into toilet bowl, tilting Auger towards the back of the bowl.
3. Turn handle clockwise by hand or drill while pushing cable into the bowl.
4. If blockage is not reached, keep pushing and turn handle clockwise.
5. To retrieve Auger, pull it back while turning handle clockwise.



Extending Handle

1. Remove cable from holder. Hold base to ground with your foot.
2. Pull handle up to expose push button.
3. Press push button and pull handle up until button pops through lower hole.
4. Handle will extend 6 feet.
5. Retract handle by pressing push button and pushing handle down until button pops through upper hole.



Cleaning Auger Cable

1. Thoroughly rinse Auger cable and handle with clean water after every use. This prevents the build-up of sediment and any drain cleaning chemicals still in the cable.
2. Allow Toilet Auger to dry completely.