

Owner's Manual & Safety Instructions

Save This Manual Keep this manual for the safety warnings and precautions, assembly, operating, inspection, maintenance and cleaning procedures. Write the product's serial number in the back of the manual (or month and year of purchase if product has no number). Keep this manual and the receipt in a safe and dry place for future reference.

22i

ATLASTM **BRUSHLESS** **CORDLESS EDGER** **80V** **LITHIUM**



Battery and charger sold separately

Visit our website at: <http://www.harborfreight.com>
Email our technical support at: productsupport@harborfreight.com

59172

When unpacking, make sure that the product is intact and undamaged. If any parts are missing or broken, please call 1-888-866-5797 as soon as possible.

Copyright© 2022 by Harbor Freight Tools®. All rights reserved.
No portion of this manual or any artwork contained herein may be reproduced in any shape or form without the express written consent of Harbor Freight Tools. Diagrams within this manual may not be drawn proportionally. Due to continuing improvements, actual product may differ slightly from the product described herein.
Tools required for assembly and service may not be included.

⚠ WARNING

Read this material before using this product.
Failure to do so can result in serious injury.
SAVE THIS MANUAL.

Table of Contents

Safety	2	Maintenance	10
Specifications	6	Parts List and Diagram	12
Setup	6	Warranty	15
Operation.....	9		






SAFETY

SETUP

OPERATION

MAINTENANCE

WARNING SYMBOLS AND DEFINITIONS

	This is the safety alert symbol. It is used to alert you to potential personal injury hazards. Obey all safety messages that follow this symbol to avoid possible injury or death.
	Indicates a hazardous situation which, if not avoided, will result in death or serious injury.
	Indicates a hazardous situation which, if not avoided, could result in death or serious injury.
	Indicates a hazardous situation which, if not avoided, could result in minor or moderate injury.
	Addresses practices not related to personal injury.



IMPORTANT SAFETY INSTRUCTIONS

WARNING

When using electric gardening appliances, basic safety precautions should always be followed to reduce the risk of fire, electric shock, and personal injury, including the following:


READ ALL INSTRUCTIONS

Gardening Appliance Safety

- Avoid Dangerous Environment** - Do not use appliances in damp or wet locations.
- Do Not Use In Rain.**
- Keep Children Away** - All visitors should be kept at a distance from work area.
- Dress Properly** - Do not wear loose clothing or jewelry. They can be caught in moving parts. Use of rubber gloves and substantial footwear is recommended when working outdoors. Wear protective hair covering to contain long hair.
- Use Safety Glasses** - Always use face or dust mask if operation is dusty.
- Use Right Appliance** - Do not use appliance for any job except that for which it is intended.
-  **Wear ANSI-approved safety goggles, hard hat and heavy-duty rubber work gloves.** Use face or dust mask if operation is dusty.
-  **Wear thick jeans and steel-toed work boots to help prevent injury caused by flying debris.**
- Avoid Unintentional Starting** - Do not carry appliance with finger on switch.
- Don't grasp the exposed cutting blades or cutting edges when picking up or holding the appliance.
- Do Not Force Appliance** - It will do the job better and with less likelihood of injury at the rate for which it was designed.
- Do not Overreach** - Keep proper footing and balance at all times.
- Stay Alert** - Watch what you are doing. Use common sense. Do not operate appliance when you are tired.
- Store Idle Appliances Indoors** - When not in use, appliances should be stored indoors in dry, and high or locked-up place - out of reach of children.

15. **Maintain Appliance With Care** - Keep cutting edge sharp and clean for best performance and to reduce the risk of injury. Follow instructions for lubricating and changing accessories. Keep handles dry, clean, and free from oil and grease.
16. **Check Damaged Parts** - Before further use of the appliance, a guard or other part that is damaged should be carefully checked to determine that it will operate properly and perform its intended function. Check for alignment of moving parts, binding of moving parts, breakage of parts, mounting, and any other condition that may affect its operation. A guard or other part that is damaged should be properly repaired or replaced by a qualified technician unless indicated elsewhere in this manual.
17. Keep guards in place and in working order.
18. Keep blades sharp.
19. Keep hands and feet away from cutting area.
20. Wear full eye protection and protective clothing.
21. **Stop working when you feel tired or exhausted.** Make regular breaks to rest.
22. People with pacemakers should consult their physician(s) before use. Electromagnetic fields in close proximity to heart pacemaker could cause pacemaker interference or pacemaker failure.
23. **When servicing use only identical replacement parts.**
24. **Carefully follow cutting procedures explained in this manual.** They are specifically planned to reduce risk to the operator.
25. **Only use accessories and attachments designed for use with this appliance. Follow all accessory and attachment instructions. Use of any other accessory or attachments may increase the risk of injury.**

Battery tool use and care

1. Prevent unintentional starting. Ensure the switch is in the off-position before connecting to battery pack, picking up or carrying the power tool. Carrying the power tool with your finger on the switch or energizing power tool that have the switch on invites accidents.
2. Disconnect the battery pack from the power tool before making any adjustments, changing accessories, or storing power tool. Such preventive safety measures reduce the risk of starting the power tool accidentally.
3. Recharge only with the charger specified by the manufacturer. A charger that is suitable for one type of battery pack may create a risk of fire when used with another battery pack.
4. Use power tools only with specifically designated battery packs. Use of any other battery packs may create a risk of injury and fire.
5. When battery pack is not in use, keep it away from other metal objects, like paper clips, coins, keys, nails, screws or other small metal objects, that can make a connection from one terminal to another. Shorting the battery terminals together may cause burns or a fire.
6. Under abusive conditions, liquid may be ejected from the battery; avoid contact. If contact accidentally occurs, flush with water. If liquid contacts eyes, additionally seek medical help. Liquid ejected from the battery may cause irritation or burns.
7. Do not use a battery pack or power tool that is damaged or modified. Damaged or modified batteries may exhibit unpredictable behavior resulting in fire, explosion or risk of injury.
8. Do not expose a battery pack or power tool to fire or excessive temperature. Exposure to fire or temperature above 140°F may cause explosion.
9. Follow all charging instructions and do not charge the battery pack or power tool outside of the temperature range specified in the instructions. Charging improperly or at temperatures outside of the specified range may damage the battery and increase the risk of fire.
10. Have servicing performed by a qualified repair person using only identical replacement parts. This will ensure that the safety of the product is maintained.
11. Do not modify or attempt to repair the power tool or the battery pack except as indicated in the instructions for use and care.
12.  The battery Charger gets hot during use. The Charger's heat can build up to unsafe levels and create a fire hazard if it does not receive adequate ventilation, due to an electrical fault, or if it is used in a hot environment. Do not place the Charger on a flammable surface. Do not obstruct any vents on the Charger. **Especially avoid placing the Charger on carpets and rugs; they are not only flammable, but they also obstruct vents under the Charger.** Place the Charger on a stable, solid, nonflammable surface (such as a stable metal workbench or concrete floor) at least 1 foot away from all flammable objects, such as drapes or walls. Keep a fire extinguisher and a smoke detector in the area. Frequently monitor the Charger and Battery Pack while charging.

13. To Reduce Risk of Injury to Persons:
 - a. Do Not Recharge Batteries in a Confined or Unvented Area; and,
 - b. Do Not Smoke, Strike a Match, or Cause a Spark in the Vicinity of the Battery During Charging.
14. Do not charge appliance in rain, or in wet locations.
15. Do not use battery-operated appliance in rain.
16. Remove or disconnect battery before servicing, cleaning or removing material from the gardening appliance.
17. Do not dispose of the battery(ies) in a fire. The cell may explode. Check with local codes for possible special disposal instructions.
18. Do not open or mutilate the battery(ies). Released electrolyte is corrosive and may cause damage to the eyes or skin. It may be toxic if swallowed.
19. Exercise care in handling batteries in order not to short the battery with conducting materials such as rings, bracelets, and keys. The battery or conductor may overheat and cause burns.

Lithium Battery Safety Warnings



LITHIUM BATTERIES STORE A LARGE AMOUNT OF ENERGY AND WILL VENT FIRE OR EXPLODE IF MISTREATED:



1. **Keep Battery Pack dry.**
2. **DO NOT DO ANY OF THE FOLLOWING TO THE BATTERY PACK:**
 - a. **Open,**
 - b. **Drop,**
 - c. **Short-circuit,**
 - d. **Puncture,**
 - e. **Incinerate, or**
 - f. **Expose to temperatures greater than 140°F.**
3. Charge Battery Pack only according to its Charger's instructions.
4. Inspect Battery Pack before every use; do not use or charge if damaged.

Vibration Hazard

This appliance vibrates during use. Repeated or long-term exposure to vibration may cause temporary or permanent physical injury, particularly to the hands, arms and shoulders. To reduce the risk of vibration-related injury:

1. Anyone using vibrating appliances regularly or for an extended period should first be examined by a doctor and then have regular medical check-ups to ensure medical problems are not being caused or worsened from use. Pregnant women or people who have impaired blood circulation to the hand, past hand injuries, nervous system disorders, diabetes, or Raynaud's Disease should not use this appliance. If you feel any symptoms related to vibration (such as tingling, numbness, and white or blue fingers), seek medical advice as soon as possible.
2. Do not smoke during use. Nicotine reduces the blood supply to the hands and fingers, increasing the risk of vibration-related injury.
3. Wear suitable gloves to reduce the vibration effects on the user.
4. Use appliances with the lowest vibration when there is a choice between different processes.
5. Include vibration-free periods each day of work.
6. Grip appliance as lightly as possible (while still keeping safe control of it). Let the appliance do the work.
7. To reduce vibration, maintain the appliance as explained in this manual. If any abnormal vibration occurs, stop use immediately.

General Safety

1. The Blade will continue to rotate for a few seconds after use. Allow it to stop completely and remove Battery Pack before putting the appliance down, making any adjustments, or servicing the appliance.
2. Do not use in rain, snow, sprinklers, or wet grass. Do not rinse off the Edger.
3. Use only during daylight hours.
4. Carefully inspect the Blade and Guard before inserting Battery Pack in the Edger. Do not use Edger if any part is cracked or damaged.
5. Do not use appliance for other than intended use.

6. Maintain labels and nameplates on the appliance. These carry important safety information. If unreadable or missing, contact Harbor Freight Tools for a replacement.

7. The warnings, precautions, and instructions discussed in this instruction manual cannot cover all possible conditions and situations that may occur. It must be understood by the operator that common sense and caution are factors which cannot be built into this product, but must be supplied by the operator.



SAVE THESE INSTRUCTIONS.

Grounding

⚠️ WARNING



TO PREVENT ELECTRIC SHOCK AND DEATH FROM INCORRECT GROUNDING: Check with a qualified electrician if you are in doubt as to whether the outlet is properly grounded. Do not modify the power cord plug provided with the charger. Do not use the charger if the power cord or plug is damaged. If damaged, have it repaired by a service facility before use. If the plug will not fit the outlet, have a proper outlet installed by a qualified electrician.

Extension Cords

Note: Extension cords must not be used with this item's Charger.

Symbology

V	Volts
	Direct Current
A	Amperes
n_0 xxxx/min.	No Load Revolutions per Minute (RPM)
	WARNING marking concerning Risk of Eye Injury. Wear ANSI-approved safety goggles with side shields.
	Read the manual before set-up and/or use.
	WARNING marking concerning Risk of Fire. Do not cover Charger ventilation ducts. Charge on fireproof surface only.

	WARNING marking concerning Risk of Electric Shock. Properly connect Charger's power cord to appropriate outlet.
	WARNING marking concerning Risk of Explosion. Do not puncture, short, or open battery packs and do not charge damaged battery packs.
	Do not expose to rain or damp conditions.
	Thrown objects can ricochet and result in personal injury or property damage.
	Keep hands and feet away from the blade.

Specifications

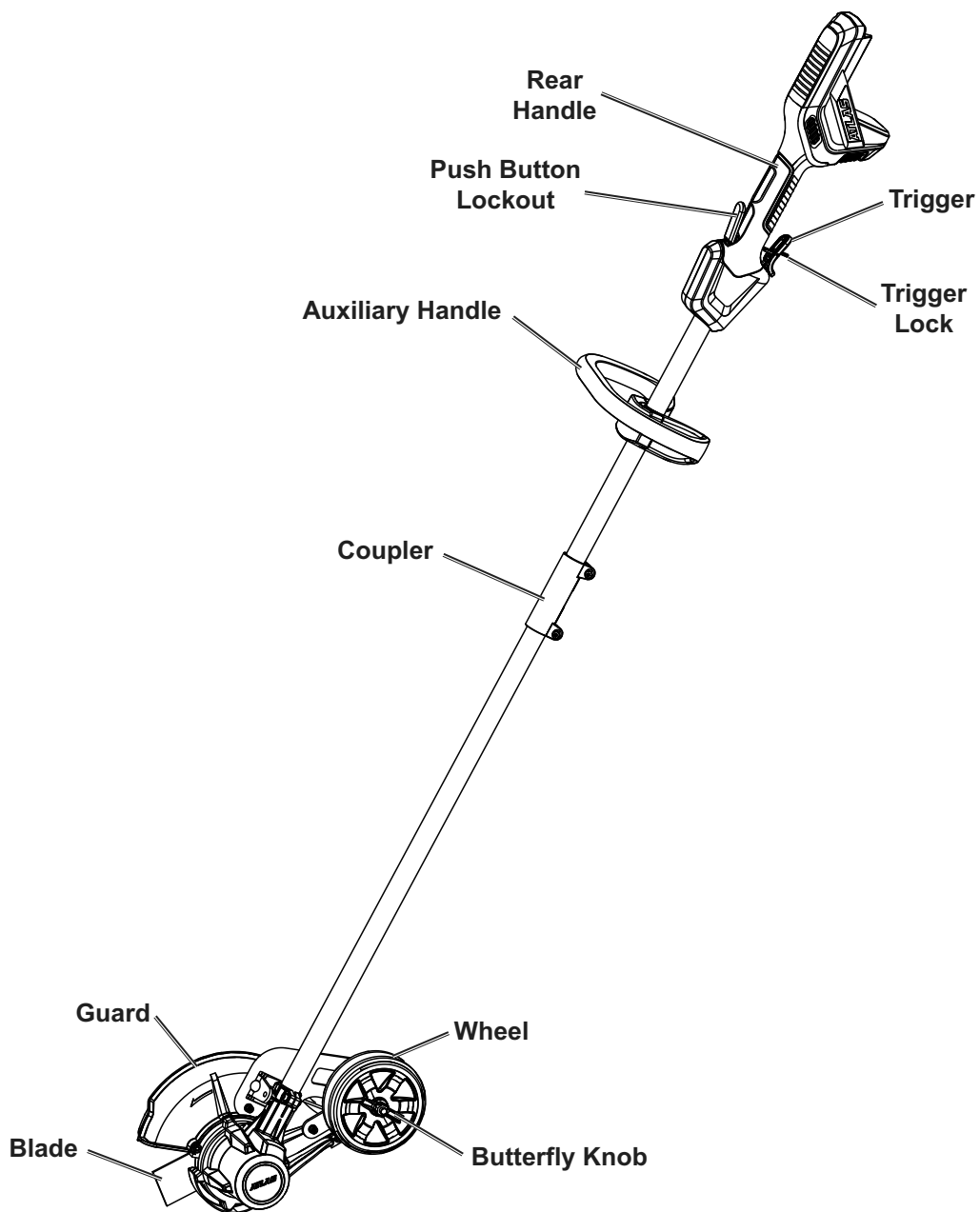
Battery Type	Atlas Li-Ion 57014 or 58958 (sold separately)
Charger Type	Atlas Li-ion 56993 or 56997 (sold separately)
No Load Speed	7000 RPM
Maximum Cutting Depth	1.75"

Setup - Before Use:



Read the **ENTIRE IMPORTANT SAFETY INFORMATION** section at the beginning of this manual including all text under subheadings therein before set up or use of this product.

Functions



Assembly Instructions



Read the **ENTIRE IMPORTANT SAFETY INFORMATION** section at the beginning of this manual including all text under subheadings therein before set up or use of this product.

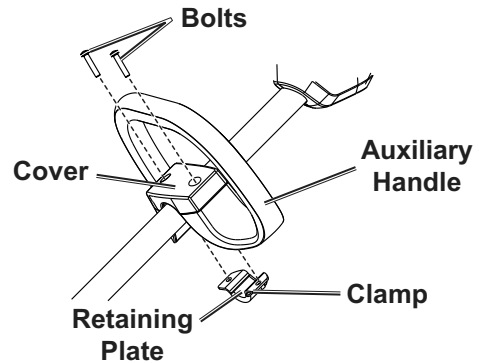
WARNING

TO PREVENT SERIOUS INJURY FROM ACCIDENTAL OPERATION:
Release Trigger of the appliance before performing any procedure in this section.

Note: For additional information regarding the parts listed in the following pages, refer to the *Parts List and Diagram* on page 12.

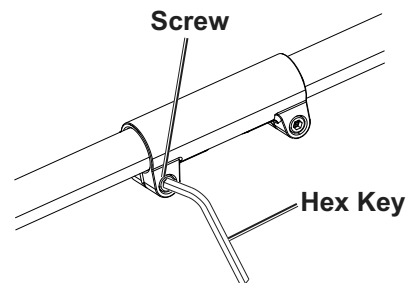
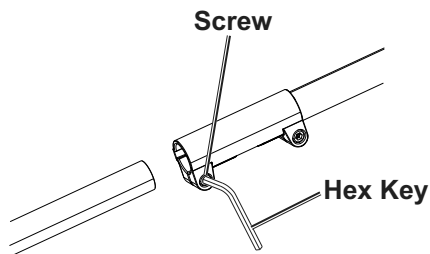
Attach The Auxiliary Handle

1. Remove the two Bolts from the Auxiliary Handle and Clamp.
2. Assemble the Cover, Auxiliary Handle, Retaining Plate, and Clamp to the Upper Shaft and position the Handle for optimal comfort (do not cover warning labels).
3. Secure the Auxiliary Handle to the Clamp with the two Bolts and tighten.

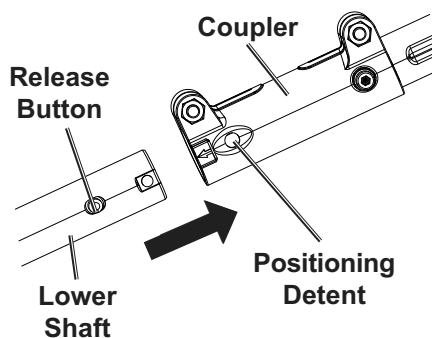


Assemble The Shaft

1. Loosen the Screw with the included Hex Key.
5. Tighten the Screw with the Hex Key.



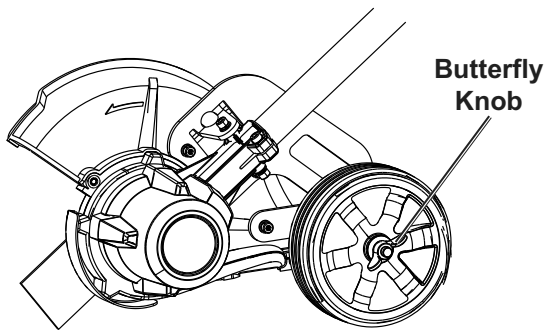
2. Push in the Release Button on the Lower Shaft.
3. Align the Release Button with the Positioning Detent and slide the Upper and Lower Shafts together.
4. Turn the Lower Shaft until the Release Button locks into the Positioning Detent.



Cut Depth Adjustment

SAFETY

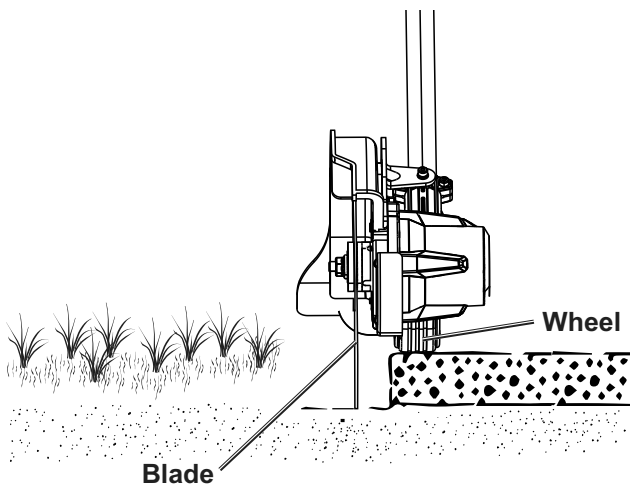
1. Slightly loosen the Butterfly Knob to allow for cut depth adjustment.



3. Tighten the Butterfly Knob to lock the cut depth adjustment.
4. Hold the Edger in the normal operating position and confirm the cut depth adjustment; correct if necessary.

SETUP

2. With the Edger held in the normal operating position, adjust the cut depth to where the Blade barely touches the ground.



OPERATION

MAINTENANCE

Operating Instructions



Read the **ENTIRE IMPORTANT SAFETY INFORMATION** section at the beginning of this manual including all text under subheadings therein before set up or use of this product.

WARNING

TO PREVENT SERIOUS INJURY:

Before operating the gardening appliance, put on ANSI-approved safety goggles, steel toe work boots, long pants, and other safety gear. Safety goggles and other safety gear are sold separately.

TO PREVENT SERIOUS INJURY AND PROPERTY DAMAGE:

Inspect the area before using the Edger. Remove all hard objects from work area. Use both hands when operating the Edger.

TO PREVENT SERIOUS INJURY FROM ACCIDENTAL OPERATION:

Make sure that the Power Switch/Trigger is in the off-position and remove Battery Pack before using the appliance.

Charging Battery Pack

Charge battery before using this tool. Follow instructions included with battery charger (sold separately).

Installing and Removing Battery Pack

1. To install: Slide Battery Pack into slot on back of Edger until it clicks into place.
2. To remove: Press Battery Pack Release Button and pull Battery Pack out of slot.

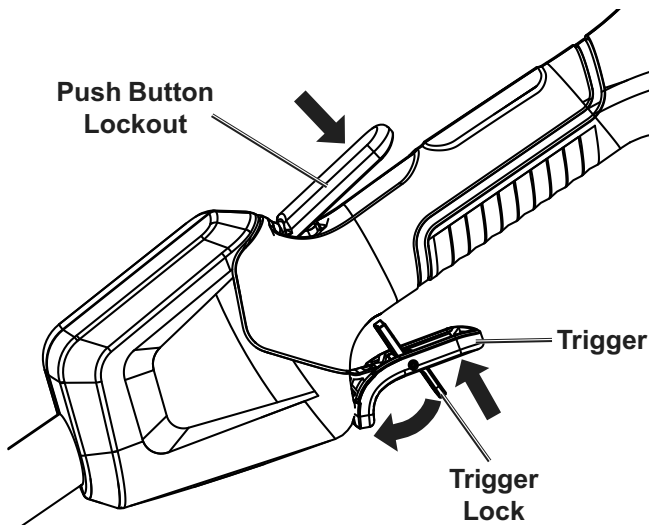
Edger Operation

WARNING! TO PREVENT SERIOUS INJURY: Do not allow the cutting edge of the blade to contact a hard surface.

1. Install fully-charged Battery Pack.

NOTICE: To prevent damage to tool or property, avoid contact with fences, trees, shrubs and the like.

2. Holding Edger with both hands, press the Push Button Lockout down, then push the Trigger Lock forward while simultaneously pulling the Trigger up.



3. Use the Edger to cut along sidewalks, curbs, driveways, and patios.
4. Cut at a steady pace; do not force the Blade into the ground. If the Blade begins to bog down, slow your pace to allow the Blade to regain speed.
5. Release Trigger when done.
6. Do not use in wet soil or vegetation. If the Guard becomes clogged, release Trigger and remove the Battery Pack. Wearing heavy-duty gloves clear the Guard of the debris.
7. When finished, to prevent accidents, remove Battery Pack, then clean and store tool according to "Cleaning, Maintenance, and Lubrication" on page 10.

User-Maintenance and Storage



Procedures not specifically explained in this manual must be performed only by a qualified technician.

WARNING

TO PREVENT SERIOUS INJURY FROM ACCIDENTAL OPERATION OR ELECTRIC SHOCK:
Release the Trigger and remove the Battery Pack before performing any inspection, maintenance, or cleaning procedures.

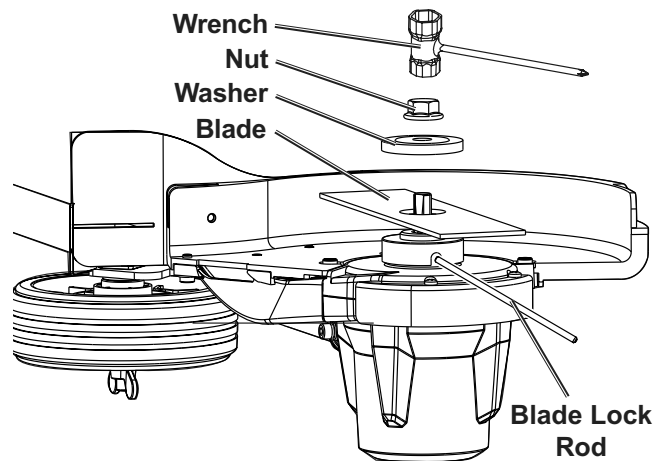
TO PREVENT SERIOUS INJURY FROM APPLIANCE FAILURE:
Do not use damaged equipment. If abnormal noise or vibration occurs, have the problem corrected before further use.

Cleaning, Maintenance, and Lubrication

- BEFORE EACH USE**, inspect the general condition of the appliance. Check for:
 - loose hardware,
 - misalignment or binding of moving parts,
 - cracked or broken parts,
 - damaged electrical wiring, and
 - any other condition that may affect its safe operation.
- AFTER USE**, Remove Battery Pack and wipe external surfaces of the appliance with clean cloth.
- Li-Ion BATTERY MUST BE RECYCLED OR DISPOSED OF PROPERLY.
Do not short, incinerate or open battery.
- Store Battery Pack, Charger, and tool in dry, indoor area out of reach of children. Store Battery Pack away from metal objects (i.e., paperclips, coins) to prevent shorting.
- All parts are permanently lubricated.
Do not use additional lubrication.

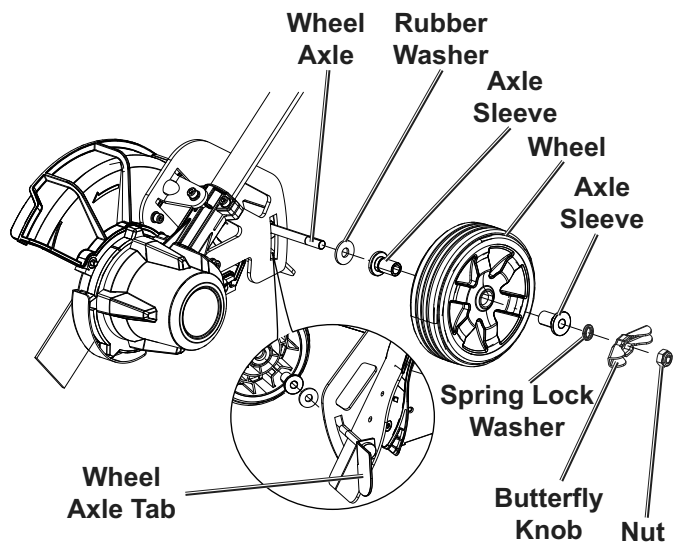
Replacing The Blade

- Use the Blade Lock Rod to stop Blade from rotating.
- Remove the Nut **CLOCKWISE** with the included Wrench, then remove the Washer.
- Replace the Blade, Washer, and Nut.
- Securely tighten the Nut **COUNTERCLOCKWISE**.



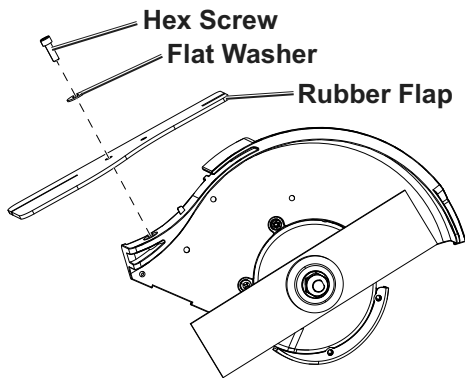
Replacing The Wheel

1. Remove the Butterfly Knob with the Nut, Spring Lock Washer, Axle Sleeve, Wheel, Axle Sleeve, and Rubber Washer from the Wheel Axle.
2. Replace the Wheel, hold the Wheel Axle Tab facing down, then hand tighten the Butterfly Knob with Nut (Nut will nest inside of the Butterfly Knob).

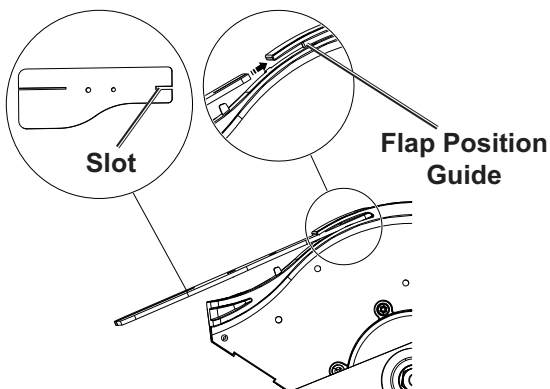


Replacing The Rubber Flap

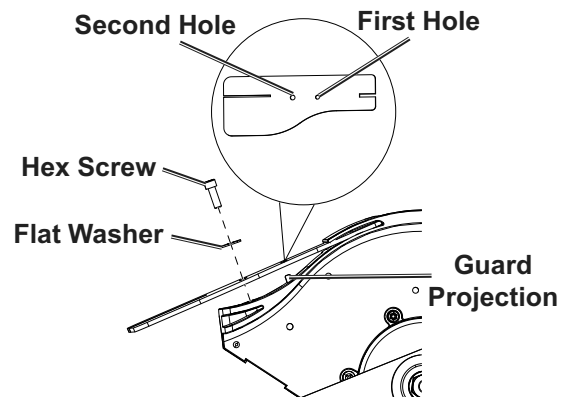
1. Remove the Hex Screw, Flat Washer, and Rubber Flap from the Guard.



2. Replace the Rubber Flap; align the Slot with the Flap Position Guide and insert the Rubber Flap into the guard.



3. Position the Rubber Flap so the Guard Projection fits into the First Hole.
4. Secure the Rubber Flap to the guard with the Hex Screw and Flat Washer through the Second Hole. Tighten securely.



SAFETY

SETUP

OPERATION

MAINTENANCE

PLEASE READ THE FOLLOWING CAREFULLY

THE MANUFACTURER AND/OR DISTRIBUTOR HAS PROVIDED THE PARTS LIST AND ASSEMBLY DIAGRAM IN THIS MANUAL AS A REFERENCE TOOL ONLY. NEITHER THE MANUFACTURER OR DISTRIBUTOR MAKES ANY REPRESENTATION OR WARRANTY OF ANY KIND TO THE BUYER THAT HE OR SHE IS QUALIFIED TO MAKE ANY REPAIRS TO THE PRODUCT, OR THAT HE OR SHE IS QUALIFIED TO REPLACE ANY PARTS OF THE PRODUCT. IN FACT, THE MANUFACTURER AND/OR DISTRIBUTOR EXPRESSLY STATES THAT ALL REPAIRS AND PARTS REPLACEMENTS SHOULD BE UNDERTAKEN BY CERTIFIED AND LICENSED TECHNICIANS, AND NOT BY THE BUYER. THE BUYER ASSUMES ALL RISK AND LIABILITY ARISING OUT OF HIS OR HER REPAIRS TO THE ORIGINAL PRODUCT OR REPLACEMENT PARTS THERETO, OR ARISING OUT OF HIS OR HER INSTALLATION OF REPLACEMENT PARTS THERETO.

Parts List

Part	Description	Qty
1	Left Rear Handle	1
2	Edger PCBA	1
3	Male Terminal Assembly	1
4	Wire Retaining Plate	1
5	P Clamp	1
6	Hex Screw	13
7	Right Rear Handle	1
8	Lockout Torsional Spring	1
9	Lockout Push Button	1
10	Trigger	1
11	Trigger Lock	1
12	Torsion Spring	1
13	Split Pin	1
14	Speed Control Switch	1
15	B Terminal	1
16	Upper Shaft	1
17	Hex Socket Head Cap Screw	2
18	Coupler	1
19	Hex Socket Head Cap Screw	1
20	Double Thread Nut M6	2
21	Lower Shaft	1
22	Hex Bolt And Washer	2
23	Auxiliary Handle Cover	1
24	Auxiliary Handle	1
25	Retaining Plate	1
26	Clamp	1
27	Hex Socket Pan Head Screw	1
28	Flat Washer	1
29	Rubber Flap	1
30	Guard	1
31	Hex Socket Pan Head Screw	1
32	Spring Washer	3
33	Hex Socket Pan Head Screw	1

Part	Description	Qty
34	Hex Socket Pan Head Screw	1
35	Hex Bolt, Lock And Flat Washer	7
36	Upper Blow Nozzle	1
37	Lower Blow Nozzle	1
38	Flat Washer	1
39	Wheel Axle	1
40	Wheel Bracket	1
41	Rubber Washer	1
42	Shaft Sleeve	2
43	Wheel	1
44	Lock Washer	1
45	Butterfly Knob	1
46	Locking Nut M8	1
47	Housing	1
48	Motor	1
49	Shock Pad	4
50	Screw (St4 X 14-F)	2
51	Air Deflector	1
52	Fan Base	1
53	Hex Screw And Lock Washer M4x14	4
54	Screw And Serrated Washer	1
55	Fan Blade	1
56	Fan Cover	1
57	Hex Socket Self-Tapping Screw	2
58	Blade Seat	1
59	Backplate	1
60	Self-Tapping Screw	2
61	Blade	1
62	Blade Washer	1
63	Blade Nut	1
64	Hex Key	1
65	Blade Lock Rod	1
66	Wrench	1

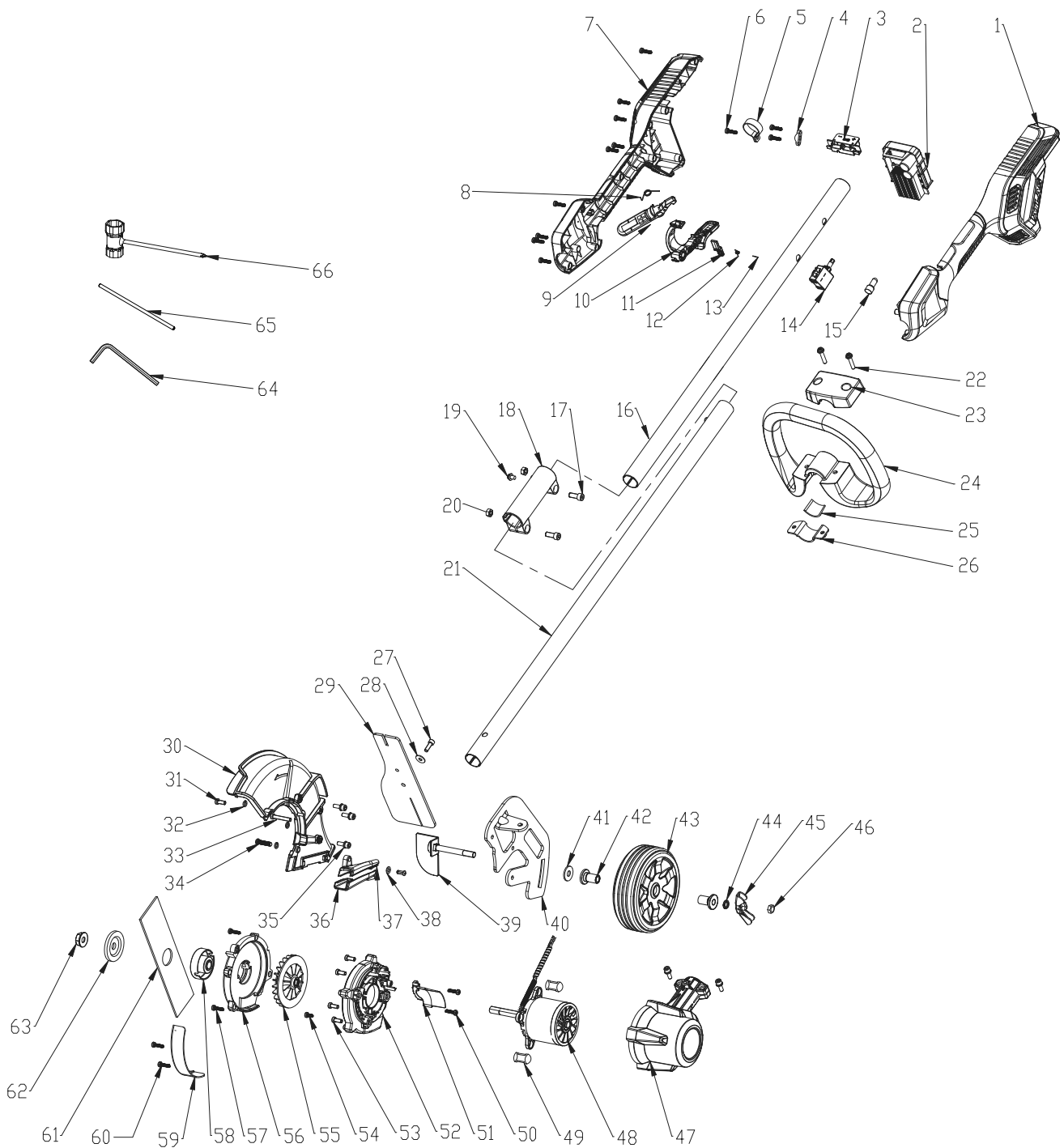
SAFETY

SETUP

OPERATION

MAINTENANCE

Assembly Diagram



SAFETY

SETUP

OPERATION

MAINTENANCE

Record Product's Serial Number Here: _____

Note: If product has no serial number, record month and year of purchase instead.

Note: Some parts are listed and shown for illustration purposes only, and are not available individually as replacement parts. Specify UPC 193175458070 when ordering parts.

SAFETY

SETUP

OPERATION

MAINTENANCE

Limited 90 Day Warranty

Harbor Freight Tools Co. makes every effort to assure that its products meet high quality and durability standards, and warrants to the original purchaser that this product is free from defects in materials and workmanship for the period of 90 days from the date of purchase. This warranty does not apply to damage due directly or indirectly, to misuse, abuse, negligence or accidents, repairs or alterations outside our facilities, criminal activity, improper installation, normal wear and tear, or to lack of maintenance. We shall in no event be liable for death, injuries to persons or property, or for incidental, contingent, special or consequential damages arising from the use of our product. Some states do not allow the exclusion or limitation of incidental or consequential damages, so the above limitation of exclusion may not apply to you. THIS WARRANTY IS EXPRESSLY IN LIEU OF ALL OTHER WARRANTIES, EXPRESS OR IMPLIED, INCLUDING THE WARRANTIES OF MERCHANTABILITY AND FITNESS.

To take advantage of this warranty, the product or part must be returned to us with transportation charges prepaid. Proof of purchase date and an explanation of the complaint must accompany the merchandise. If our inspection verifies the defect, we will either repair or replace the product at our election or we may elect to refund the purchase price if we cannot readily and quickly provide you with a replacement. We will return repaired products at our expense, but if we determine there is no defect, or that the defect resulted from causes not within the scope of our warranty, then you must bear the cost of returning the product.

This warranty gives you specific legal rights and you may also have other rights which vary from state to state.

ATLASTM

26677 Agoura Road • Calabasas, CA 91302 • 1-888-866-5797