

Owner's Manual & Safety Instructions

Save This Manual Keep this manual for the safety warnings and precautions, assembly, operating, inspection, maintenance and cleaning procedures. Write the product's serial number in the back of the manual near the assembly diagram (or month and year of purchase if product has no number). Keep this manual and the receipt in a safe and dry place for future reference.

23d

ROADSHOCK™ EDGE

LED LIGHTS



59235
4" SPOT



59236
4" SPOT/FLOOD



59237
6" SPOT/FLOOD

Visit our website at: <http://www.harborfreight.com>
Email our technical support at: productsupport@harborfreight.com

When unpacking, make sure that the product is intact and undamaged. If any parts are missing or broken, please call 1-888-866-5797 as soon as possible.

Copyright © 2023 by Harbor Freight Tools®. All rights reserved.
No portion of this manual or any artwork contained herein may be reproduced in any shape or form without the express written consent of Harbor Freight Tools. Diagrams within this manual may not be drawn proportionally. Due to continuing improvements, actual product may differ slightly from the product described herein. Tools required for assembly and service may not be included.

⚠ WARNING

Read this material before using this product.
Failure to do so can result in serious injury.
SAVE THIS MANUAL.

Specifications

Model	59235	59236	59237
Voltage	12/24		
Size	4"	4"	6"
Number of Forward Facing LEDs	4	4	6
Wattage High Beam	95W	95W	121.2W
Wattage Low Beam	65W	65W	80.4W

Important Safety Information

Installation Precautions

1. For off-road use only.
2. Install on vehicles that will not be used on public roads only.
3. Install only according to these instructions. Improper installation can create hazards.
4. Wear ANSI-approved safety goggles and heavy-duty work gloves during Installation.
5. Keep installation area clean and well lit.
6. Keep bystanders out of the area during installation.
7. Do not install when tired or when under the influence of drugs or medication.
8. Read all instructions and safety precautions in the vehicle's manual onto which the Light will be installed.
9. Install on negative ground 12/24 VDC systems only.
10. Have a qualified technician install the Light.
11. Keep wiring away from hot surfaces and moving parts.
12. Do not install Light where it could restrict sufficient airflow to the radiator or obstruct the headlights and/or turn signals of vehicle.
13. Do not look directly into lights; doing so can cause eye damage.

Use Precautions

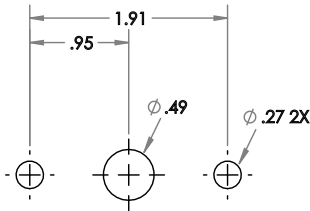
1. This product is not a toy. Do not allow children to play with this item.
2. Use as intended only. Not for marine use. Do not mount underwater.
3. Inspect before every use; do not use if parts are loose or damaged.
4. Do not place lights near anything flammable after being used.
5. To prevent damage, turn lights off before starting or turning off the vehicle.
6. This product may not meet D.O.T. requirements for use on public roads or highways. Follow local, state, and federal regulations.
7. Turn off lights and allow them to cool completely before handling.
8. Maintain product labels and nameplates. These carry important safety information. If unreadable or missing, contact Harbor Freight Tools for a replacement.

Installation Instructions



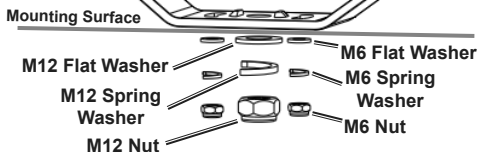
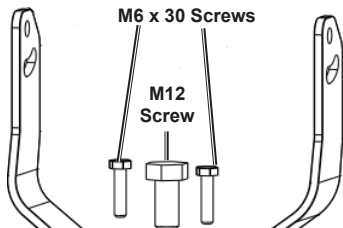
Read the **ENTIRE IMPORTANT SAFETY INFORMATION** section at the beginning of this document including all text under subheadings therein before set up or use of this product.

- Choose the mounting location on the vehicle. If drilling is required for the three mounting holes, use the below template.

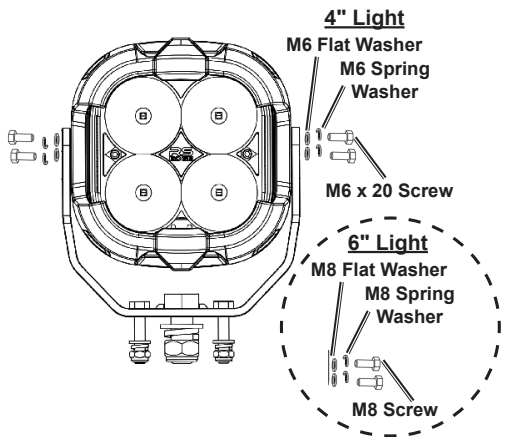


Caution: Mount to flat, stable location with adequate clearance. If drilling is required, beware of any hidden electrical lines or cables. Do not damage or weaken the structural integrity of the vehicle.

- Attach bracket to mounting surface. Do not fully tighten until the Light has been aligned. Use:
 - One each M12 Screw, M12 Spring Washer, M12 Flat Washer, and M12 Nut.
 - Two each M6 x 30 Screws, M6 Spring Washers, M6 Flat Washers, and M6 Nuts.



- Attach the Light to the bracket:
 - On 4" Light, use four each M6 x 20 Screws, M6 Spring Washers and M6 Flat Washers.
 - On 6" Light, use four each M8 x 20 Screws, M8 Spring Washers and M8 Flat Washers.



- Align the Light and tighten bracket screws.
- Install a three position switch (sold separately) inside the vehicle cabin in a convenient location.
- Drill or locate a mounting hole for the relay.
- Secure a relay (sold separately) to the previously drilled hole using a sheet metal screw (sold separately).

Note: Install relay with terminals facing down and higher than the wiring. This reduces the possibility of water entry.

CAUTION! Waterproof all wiring connections.

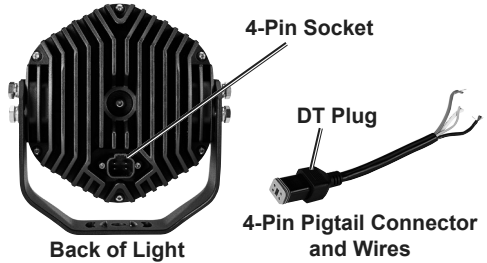
8. Disconnect the vehicle battery cables, positive and negative.
9. Wire switch, relay, fuse (all sold separately) and Light per *Wiring* on page 4. Ensure all wiring connections are secure.

WARNING! TO PREVENT SERIOUS INJURY AND FIRE: Connect wires with the correct polarity. There is reverse polarity protection built-in to prevent damage if incorrect polarity is used.

Notice: Use proper fuse with Light.

10. Use wire ties to secure the wires to the vehicle and/or bundle excess harness wire together.

11. **CAUTION!** Ensure the switch is in the "off" position and then re-attach the vehicle battery cables, positive and negative.
12. Connect the 4-Pin Pigtail Connector and Wires to the 4-Pin Socket on the back of the Light. Ensure connection between DT Plug and socket is secure.



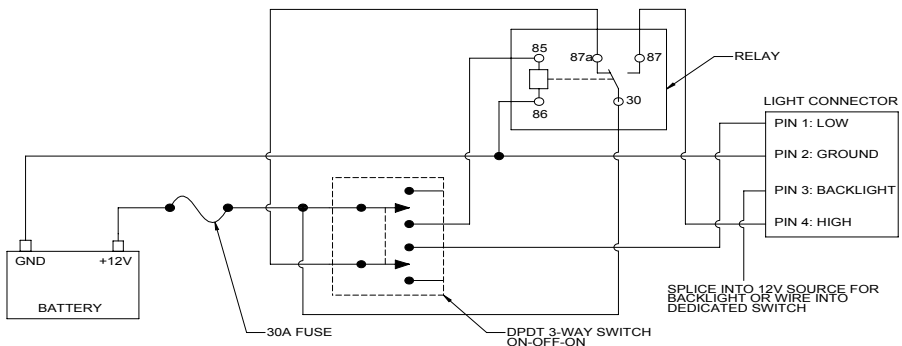
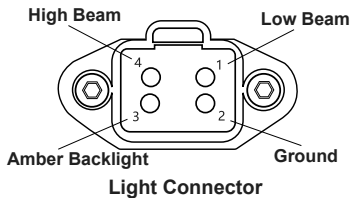
Wiring

CAUTION! Do not power Pin 1 (Low Beam) and Pin 4 (High Beam) at the same time as it will damage the circuit board.

1. Wire 4-Pin Pigtail Connector wires to vehicle:
 - a. Red = Pin 1 Low Beam
 - b. Black = Pin 2 Ground
 - c. Yellow = Pin 3 Amber Backlight
 - d. White = Pin 4 High Beam
2. Use an appropriately rated three position toggle switch (on/off/on, sold separately). One position powers low beam, the center is off, and the opposite position powers high beam.

Note: When wiring a single light use 14 gauge wire.

Note: When wiring two lights, use 12 gauge wire from power source and 14 gauge from split junction.



Maintenance



Read the **ENTIRE IMPORTANT SAFETY INFORMATION** section at the beginning of this document including all text under subheadings therein before set up or use of this product.

⚠ WARNING

TO PREVENT SERIOUS INJURY OR DEATH FROM DRIVING HAZARDS: Test operation of all lights before every use. Troubleshoot and repair wiring properly before using. Do not use while trailer light operation does not match vehicle light operation, if any lights do not light up, or if any lights flicker. Park on level area away from traffic and set vehicle parking brake/chock tires before diagnosing or servicing lights.

Cleaning, Maintenance, and Lubrication

- BEFORE EACH USE**, inspect the general condition of the tool. Check for:
 - loose hardware,
 - misalignment or binding of moving parts,
 - cracked or broken parts,
 - damaged electrical wiring, and
 - any other condition that may affect its safe operation.
- AFTER USE**, wipe external surfaces of the tool with clean cloth.

Troubleshooting

Problem	Possible Causes
Light does not light up.	<ol style="list-style-type: none">1. Power switch is not in "On" position.2. Wiring connections are loose.3. Wiring is damaged.4. Wires are not connected according to the correct polarity.

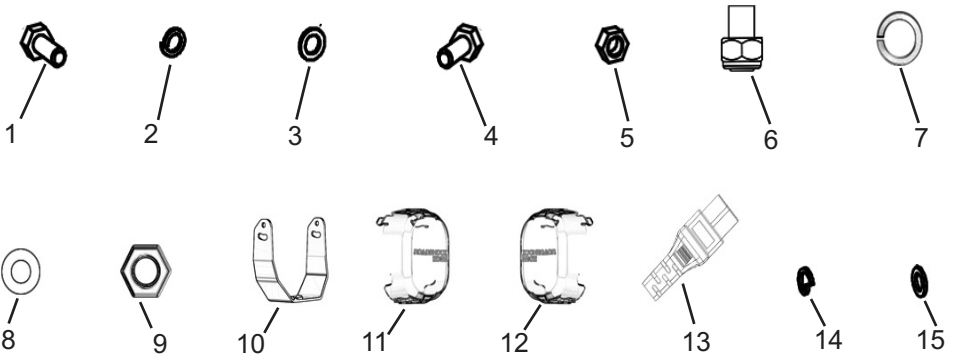
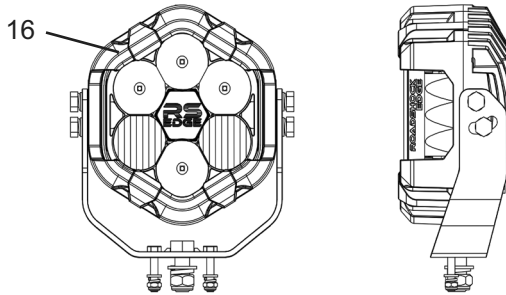


Follow all safety precautions whenever diagnosing or servicing the lights. Park on level area away from traffic and set vehicle parking brake/chock tires.

59237 6" Spot/Flood Light

Part	Description	Qty.
1	M8 x 20 Hex Screw	4
2	M8 Spring Washer	4
3	M8 Flat Washer	4
4	M6 Nut	2
5	M6 x 30 Hex Screw	2
6	M12 x 30 Hex Screw	1
7	M12 Spring Washer	1
8	M12 Flat Washer	1

Part	Description	Qty.
9	M12 Nut	1
10	Mounting Bracket	1
11	Black Cover	1
12	Amber Cover	1
13	4-Pin Pigtail Connector (wires not shown)	1
14	M6 Spring Washer	2
15	M6 Flat Washer	2
16	Light Assembly	1



Record Serial Number Here: _____

Note: If product has no serial number, record month and year of purchase instead.

Note: Some parts are listed and shown for illustration purposes only, and are not available individually as replacement parts. Parts may not be interchangeable. Specify UPC number when ordering parts:

- 4" Spot Light: 59235, UPC 193175462695
- 4" Spot/Flood Light: 59236, UPC 193175462701
- 6" Spot/Flood Light: 59237, UPC 193175462718

Limited 90 Day Warranty

Harbor Freight Tools Co. makes every effort to assure that its products meet high quality and durability standards, and warrants to the original purchaser that this product is free from defects in materials and workmanship for the period of 90 days from the date of purchase. This warranty does not apply to damage due directly or indirectly, to misuse, abuse, negligence or accidents, repairs or alterations outside our facilities, criminal activity, improper installation, normal wear and tear, or to lack of maintenance. We shall in no event be liable for death, injuries to persons or property, or for incidental, contingent, special or consequential damages arising from the use of our product. Some states do not allow the exclusion or limitation of incidental or consequential damages, so the above limitation of exclusion may not apply to you. THIS WARRANTY IS EXPRESSLY IN LIEU OF ALL OTHER WARRANTIES, EXPRESS OR IMPLIED, INCLUDING THE WARRANTIES OF MERCHANTABILITY AND FITNESS.

To take advantage of this warranty, the product or part must be returned to us with transportation charges prepaid. Proof of purchase date and an explanation of the complaint must accompany the merchandise. If our inspection verifies the defect, we will either repair or replace the product at our election or we may elect to refund the purchase price if we cannot readily and quickly provide you with a replacement. We will return repaired products at our expense, but if we determine there is no defect, or that the defect resulted from causes not within the scope of our warranty, then you must bear the cost of returning the product.

This warranty gives you specific legal rights and you may also have other rights which vary from state to state.

**ROADSHOCK
EDGE**