

Owner's Manual & Safety Instructions

Save This Manual Keep this manual for the safety warnings and precautions, assembly, operating, inspection, maintenance and cleaning procedures. Write the product's serial number in the back of the manual (or month and year of purchase if product has no number). Keep this manual and the receipt in a safe and dry place for future reference.

22h

UNION[™]
SAFE COMPANY

BIOMETRIC FINGERPRINT HANDGUN SAFE



⚠ DANGER

To prevent serious injury and DEATH:

1. Leaving gun unsecured MAY RESULT IN CRIMINAL CHARGES.
2. Even when stored in gun safe, use gun-lock to disable gun.
3. Unload gun completely, including chamber, before storing.
4. Separate gun safe keys from other keys.
5. Lock up guns and ammunition separately out of children's reach and out of sight.

To ensure security of your safe, Union Safe Company does NOT provide replacement keys.

Made by Safewell for Union Safe Co.

Visit our website at: <http://www.harborfreight.com>
Email our technical support at: productsupport@harborfreight.com

59549

When unpacking, make sure that the product is intact and undamaged. If any parts are missing or broken, please call 1-888-866-5797 as soon as possible.

Copyright© 2021 by Harbor Freight Tools®. All rights reserved.






No portion of this manual or any artwork contained herein may be reproduced in any shape or form without the express written consent of Harbor Freight Tools. Diagrams within this manual may not be drawn proportionally. Due to continuing improvements, actual product may differ slightly from the product described herein.

Tools required for assembly and service may not be included.

⚠ WARNING

**Read this material before using this product.
Failure to do so can result in serious injury.
SAVE THIS MANUAL.**

WARNING SYMBOLS AND DEFINITIONS

| | |
|---|--|
|  | This is the safety alert symbol. It is used to alert you to potential personal injury hazards. Obey all safety messages that follow this symbol to avoid possible injury or death. |
|  | Indicates a hazardous situation which, if not avoided, will result in death or serious injury. |
|  | Indicates a hazardous situation which, if not avoided, could result in death or serious injury. |
|  | Indicates a hazardous situation which, if not avoided, could result in minor or moderate injury. |
|  | Addresses practices not related to personal injury. |

Important Safety Information

Installation Precautions

1. Verify that installation surface has no hidden utility lines before drilling or driving screws.
2. Wear ANSI-approved safety goggles during installation.
3. Install only according to these instructions. Improper installation can create hazards.
4. Keep installation area clean and well lit.
5. Keep bystanders out of the area during installation.
6. Do not install when tired or when under the influence of alcohol, drugs or medication.
7. Only install Safe on a stable, level, clean and dry vertical or horizontal surface that is capable of supporting the weight of Safe and its contents.

Use Precautions

1. **Unload gun completely, including chamber, before storing.**
2. **Lock up guns and ammunition separately out of children's reach and out of sight.**
3. **Even when stored in gun safe, use gun-lock to disable gun.**
4. **Separate gun safe keys from other keys.**
5. **Leaving gun unsecured may result in criminal charges.**
6. **Do not allow children to play with or near safe. Keep keys away from children.**
7. **Use for unloaded guns only.**
8. Keep clear of Door when closing.
9. Do not mix old and new batteries. Do not mix alkaline, standard (carbon-zinc), or rechargeable (nickel-cadmium) batteries. Position batteries in proper polarity. Do not use swollen or leaking batteries.
10. Use as intended only.
11. Inspect before every use; do not use if parts are loose or damaged.
12. Maintain product labels and nameplates. These carry important safety information. If unreadable or missing, contact Harbor Freight Tools for a replacement.

13. Do not store keys inside of the Safe.
Place the keys in a location outside of the safe making sure they are in a secure location that you can find.
14. The warnings, cautions, and instructions discussed in this instruction manual cannot cover all possible conditions and situations that may occur. It must be understood by the operator that common sense and caution are factors which cannot be built into this product, but must be supplied by the operator.

15. The Safe is neither water- nor fire-proof.

NOTE: Harbor Freight Tools is not responsible for the loss or misuse of any property stored within this safe due to theft, fire, or any other circumstance.

NOTE: Security Safe uses a unique key that only the owner possesses.

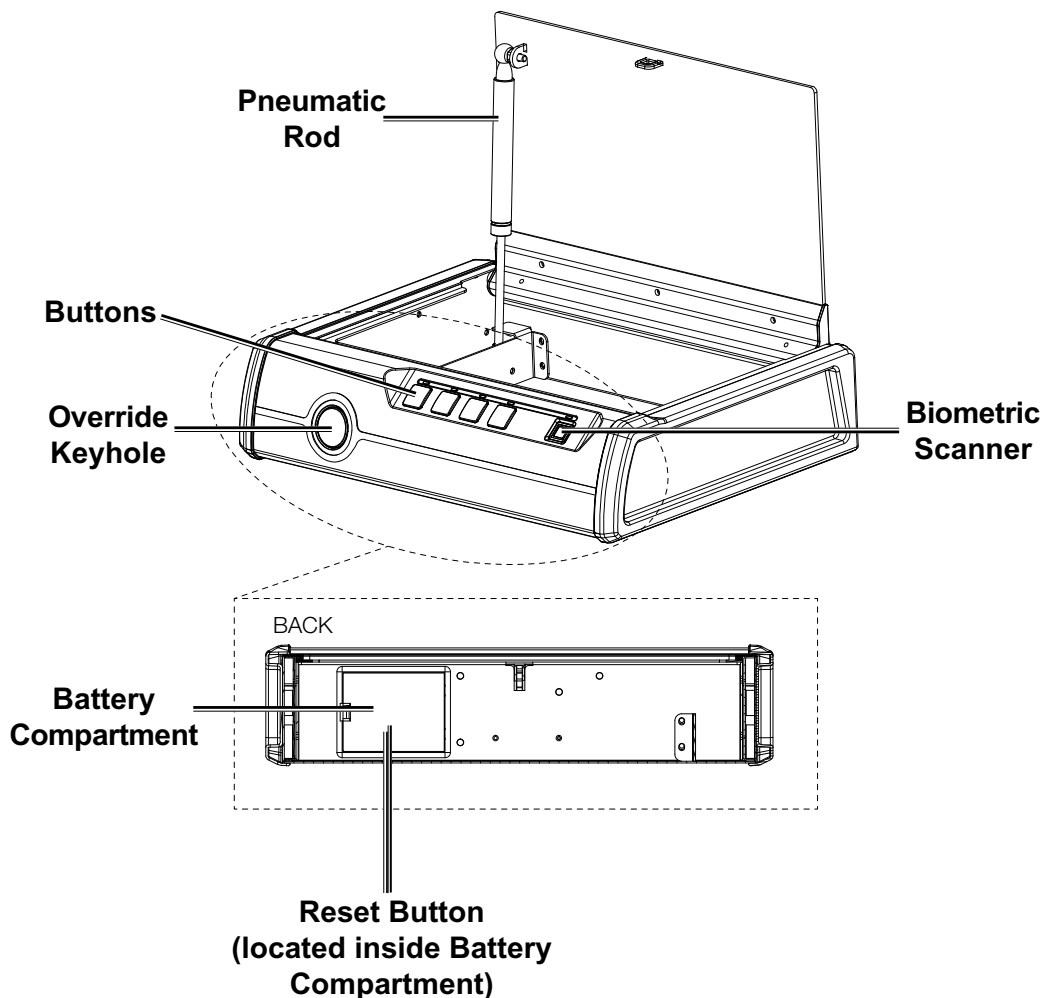
Specifications

| | |
|---------------------|------------------------------|
| Exterior dimensions | 11" L x 14-3/4" W x 3-3/4" H |
| Interior dimensions | 7-1/4" L x 12" W x 3-1/4" H |

This gun safe meets the California DOJ requirements.

Setup - Before Use

Components



Operating Instructions



Read the **ENTIRE IMPORTANT SAFETY INFORMATION** section at the beginning of this manual including all text under subheadings therein before set up or use of this product.

! DANGER

To prevent serious injury and DEATH from accidental firearm discharge:

Unload gun completely, including chamber, before storing.

Lock up guns and ammunition separately, out of children's reach and out of sight.

Even when stored in gun safe, use gun-lock to disable gun.

Separate gun safe keys from other keys.

Leaving gun unsecured may result in criminal charges.

Opening Safe for First Time

1. Insert override key and turn key clockwise to unlock safe.
2. Remove Battery Compartment Cover. Install four AA batteries . Replace Battery Compartment Cover.

Registering Fingerprints

Note: Safe has a maximum storage of 50 fingerprints.

1. Remove Battery Compartment Cover to access the Reset Button.
2. Press and hold Reset Button until all lights flash blue once and safe beeps once.
3. Press finger to Biometric Scanner. Remove finger after the Scanner flashes blue once and beeps once.
4. Repeat step 3 three times or until Scanner flashes blue twice and safe beeps twice.
5. If Scanner flashes red five times and beeps five times, registration has failed. Retry fingerprint registration beginning from step 1.

Note: If Scanner flashes red five times and beeps five times directly after pressing Reset Button, fingerprint storage capacity is full.

Deleting Registered Fingerprints

1. Remove Battery Compartment Cover to access the Reset Button.
2. Press and hold Reset Button until all lights flash blue once and safe beeps once.
3. Keep holding Reset Button until Scanner flashes twice and beeps twice.
4. Release Reset Button. All registered fingerprints have been erased.

Programming Security Code

1. Remove Battery Compartment Cover to access the Reset Button.
2. Press and hold Reset Button until all lights flash blue once and safe beeps once.
3. Enter a four to six digit code. Press Reset Button when finished.
4. If code has been accepted, Button lights will flash blue twice and safe will beep twice.
5. If Button lights flash red five times and safe beeps five times, Safe has failed to set security code. Repeat process beginning from step 1.

Opening Safe

1. To open Safe with security code, type code on Buttons. Button lights will light up blue and safe will open.
2. If code is entered incorrectly, Button lights will flash red five times and safe will beep five times.
3. To open Safe with fingerprint, hold finger to Biometric Scanner. The Scanner will light up blue and Safe will open.
4. If fingerprint is invalid, Scanner will flash red five times and beep five times.
5. If wrong code or invalid fingerprint is entered five consecutive times, Safe will go into lock-down mode for five minutes. In this mode, all lights will flash red when pressing any buttons and electronic keypad will be disabled. Safe will return to normal operation after five minutes.

Note: While in lock-down mode, Safe may still be opened using Override Key.

Note: If safe opens and then flashes yellow five times and beeps five times, the batteries are low. Replace batteries according to instructions on page 4.

Muting and Unmuting

1. To turn off audible sound, hold the "1" button until all lights flash blue once.
2. To unmute, repeat the same process described in step 1.



Mounting

WARNING! TO PREVENT SERIOUS INJURY: Verify that installation surface has no hidden utility lines before drilling or driving screws.

1. Place Safe in desired location. Use a pencil to mark the mounting holes on surface. Set Safe aside.
2. To mount to concrete:
 - a. Drill 1.6" (40 mm) deep mounting holes using a 9 mm drill bit (not included).
 - b. Insert anchor (included) into the mounting holes. See Figure A.

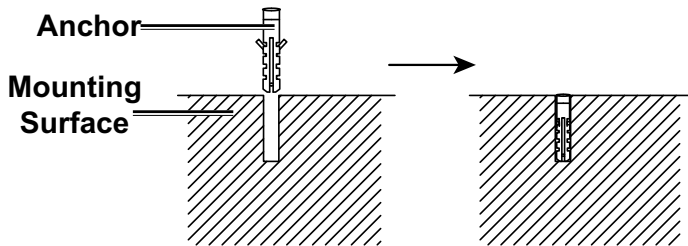


Figure A: Installing Anchors

- c. Move Safe back in place. Align safety device over mounting holes. Secure device with tapping screws (included). See Figure B.

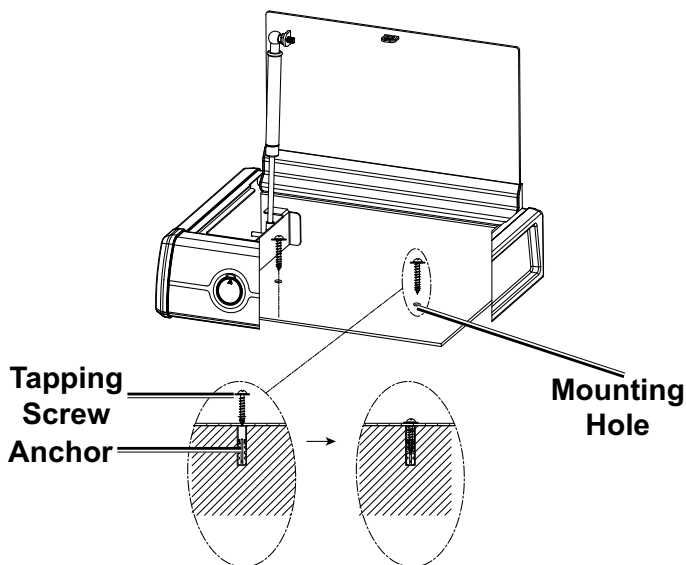


Figure B: Mounting Safe to Concrete Surface

3. To mount to wooden surface:
 - a. Place Safe in desired location.
 - b. Secure Safe by driving tapping screws through the mounting holes in the bottom of the safe. See Figure C.

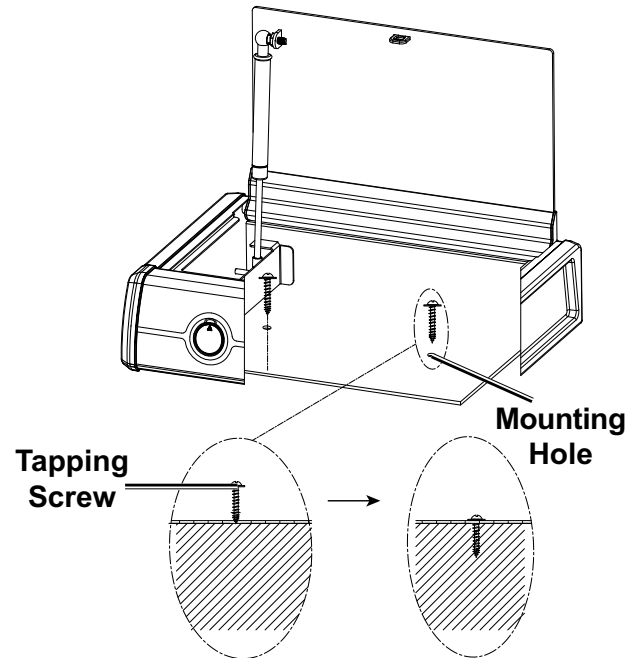


Figure C: Mounting Safe to Wooden Surface

UNION[™]
SAFE COMPANY

Maintenance and Servicing



Procedures not specifically explained in this manual must be performed only by a qualified technician.

1. **BEFORE EACH USE**, inspect the general condition of the Safe. Check for loose screws, misalignment or binding of moving parts, cracked or broken parts, and any other condition that may affect its safe operation.
2. **PERIODICALLY** clean external surfaces of the Safe with a clean cloth.

Record Serial Number Here:

Note: If product has no serial number, record month and year of purchase instead.

Note: Replacement parts are not available for this item.

Note: Reference UPC 193175473837.

Limited 90 Day Warranty

Harbor Freight Tools Co. makes every effort to assure that its products meet high quality and durability standards, and warrants to the original purchaser that this product is free from defects in materials and workmanship for the period of 90 days from the date of purchase. This warranty does not apply to damage due directly or indirectly, to misuse, abuse, negligence or accidents, repairs or alterations outside our facilities, criminal activity, improper installation, normal wear and tear, or to lack of maintenance. We shall in no event be liable for death, injuries to persons or property, or for incidental, contingent, special or consequential damages arising from the use of our product. Some states do not allow the exclusion or limitation of incidental or consequential damages, so the above limitation of exclusion may not apply to you. THIS WARRANTY IS EXPRESSLY IN LIEU OF ALL OTHER WARRANTIES, EXPRESS OR IMPLIED, INCLUDING THE WARRANTIES OF MERCHANTABILITY AND FITNESS.

To take advantage of this warranty, the product or part must be returned to us with transportation charges prepaid. Proof of purchase date and an explanation of the complaint must accompany the merchandise. If our inspection verifies the defect, we will either repair or replace the product at our election or we may elect to refund the purchase price if we cannot readily and quickly provide you with a replacement. We will return repaired products at our expense, but if we determine there is no defect, or that the defect resulted from causes not within the scope of our warranty, then you must bear the cost of returning the product.

This warranty gives you specific legal rights and you may also have other rights which vary from state to state.

