

**Model
HH78S**

Universal Portable Band Saw Benchtop Stand

⚠WARNING: To prevent serious injury, User must read and understand Owner's Manual. **SAVE THIS MANUAL.**

When unpacking, make sure that the product is intact and undamaged.
If any parts are missing or broken, please call 1-888-866-5797
as soon as possible. Reference 59640.

IMPORTANT SAFETY INFORMATION

WARNING

Read all safety warnings and all instructions.

Failure to follow the warnings and instructions may result in electric shock, fire and/or serious injury. Save all warnings and instructions for future reference.

- 1. PRIOR TO USING THIS PRODUCT, READ AND UNDERSTAND ALL INSTRUCTIONS AND SAFETY PRECAUTIONS AS OUTLINED IN THE MANUFACTURER'S MANUAL OF THE BAND SAW THAT IS TO BE USED.**
- 2. MAKE SURE THE BAND SAW STAND IS PLACED ON A FLAT, LEVEL, HARD SURFACE CAPABLE OF SUPPORTING THE WEIGHT OF THE BAND SAW STAND, BAND SAW BEING USED, AND WORKPIECE.**
- 3. BOLT THE BAND SAW STAND SECURELY TO THE WORK BENCH AND TEST WORK SET-UP FOR STABILITY BEFORE USE.**
- 4. KEEP ALL GUARDS IN PLACE AND IN WORKING ORDER.**
- 5. MAKE SURE THE WORKPIECE IS SUPPORTED AT ALL TIMES DURING OPERATION.**
- 6. UNPLUG THE BAND SAW FROM ITS ELECTRICAL SUPPLY SOURCE BEFORE PERFORMING ANY SERVICE OR MAINTENANCE ON THE BAND SAW STAND.** Make sure to unplug the Band saw before leaving the work area, moving the Band saw Stand from one location to another, cleaning the Stand, etc.
- 7. Wear ANSI-approved safety goggles during assembly and use.**
- 8. Do not exceed listed weight capacity. Be aware of dynamic loading!** Sudden load movement may briefly create excess load causing product failure.
9. Weight capacity and other product capabilities apply to properly and completely assembled product only.
10. When folding or unfolding the Band saw Stand, be careful not to pinch fingers.
11. This product is not a toy.
Do not allow children to play with or near this item.
12. Use as intended only.
13. Keep hands clear of moving parts.

14. Maintain labels and nameplates on the tool. These carry important safety information. If unreadable or missing, contact Harbor Freight Tools for a replacement.
15. Stay alert, watch what you are doing and use common sense when operating a power tool. Do not use a power tool while you are tired or under the influence of drugs, alcohol or medication. A moment of inattention while operating power tools may result in serious personal injury.
16. The warnings, precautions, and instructions discussed in this instruction manual cannot cover all possible conditions and situations that may occur. It must be understood by the operator that common sense and caution are factors which cannot be built into this product, but must be supplied by the operator.

Vibration Safety


This tool vibrates during use. Repeated or long-term exposure to vibration may cause temporary or permanent physical injury, particularly to the hands, arms and shoulders. To reduce the risk of vibration-related injury:

1. Anyone using vibrating tools regularly or for an extended period should first be examined by a doctor and then have regular medical check-ups to ensure medical problems are not being caused or worsened from use. Pregnant women or people who have impaired blood circulation to the hand, past hand injuries, nervous system disorders, diabetes, or Raynaud's Disease should not use this tool. If you feel any medical or physical symptoms related to vibration (such as tingling, numbness, and white or blue fingers), seek medical advice as soon as possible.
2. Do not smoke during use. Nicotine reduces the blood supply to the hands and fingers, increasing the risk of vibration-related injury.
3. Use tools with the lowest vibration when there is a choice between different processes.
4. Include vibration-free periods each day of work.
5. Grip workpiece as lightly as possible (while still keeping safe control of it). Let the tool do the work.
6. To reduce vibration, maintain the tool as explained in this manual. If any abnormal vibration occurs, stop use immediately.



SAVE THESE INSTRUCTIONS.

Warning Symbols and Definitions

 This is the safety alert symbol. It is used to alert you to potential personal injury hazards. Obey all safety messages that follow this symbol to avoid possible injury or death.

 DANGER Indicates a hazardous situation which, if not avoided, will result in death or serious injury.

 WARNING Indicates a hazardous situation which, if not avoided, could result in death or serious injury.

 CAUTION Indicates a hazardous situation which, if not avoided, could result in minor or moderate injury.

NOTICE Addresses practices not related to personal injury.

Specifications

Compatibility	Hercules, Bauer, Milwaukee, and Dewalt Portable Deep Cut Band Saws
Cutting Capacity	Refer to Band Saw manufacturer's instruction manual

HERCULES

SETUP - BEFORE USE

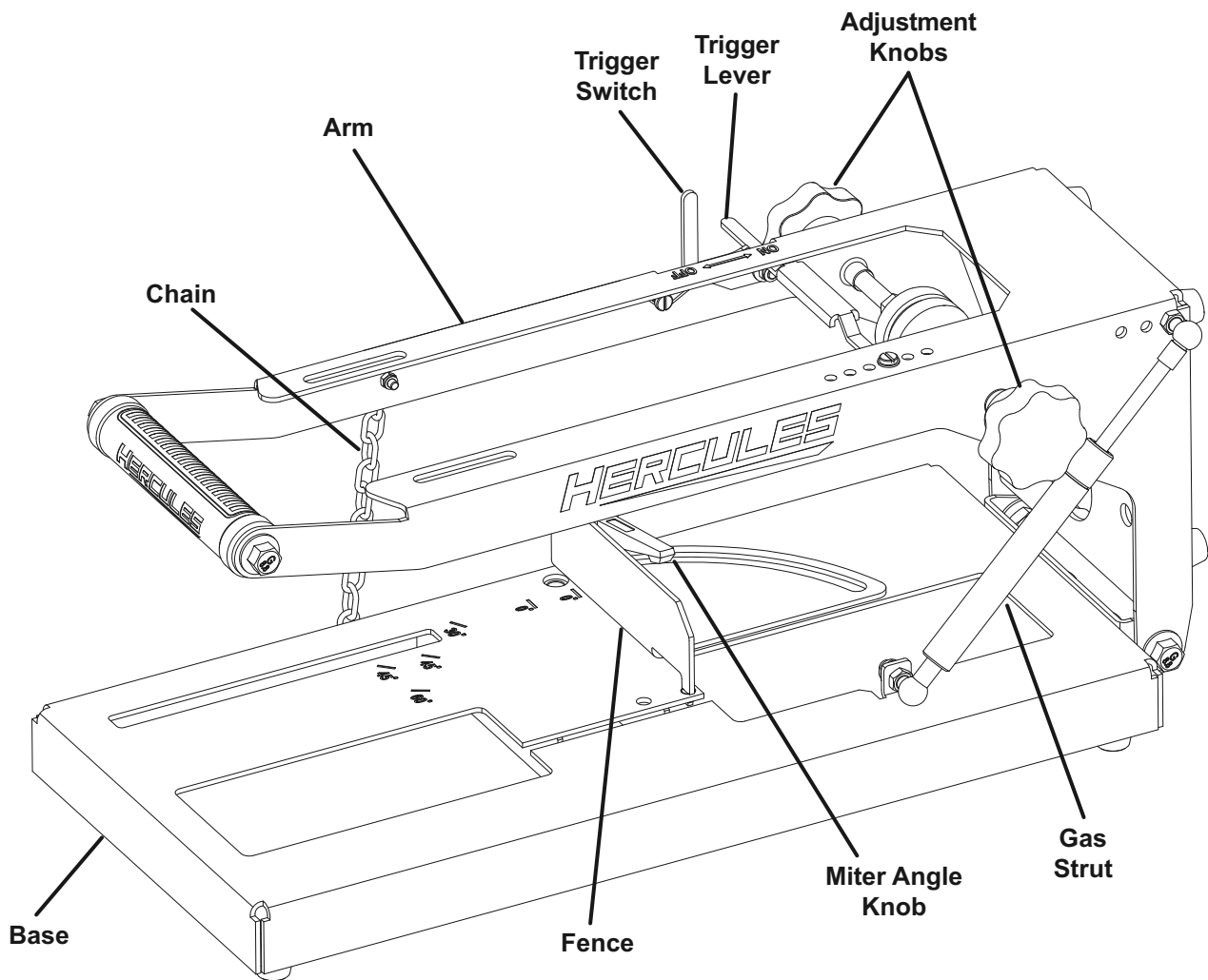


Read the ENTIRE IMPORTANT SAFETY INFORMATION section at the beginning of this manual including all text under subheadings therein before set up or use.

WARNING

TO PREVENT SERIOUS INJURY FROM ACCIDENTAL OPERATION: Release the Trigger and remove the battery pack or unplug tool before performing any procedure in this section.

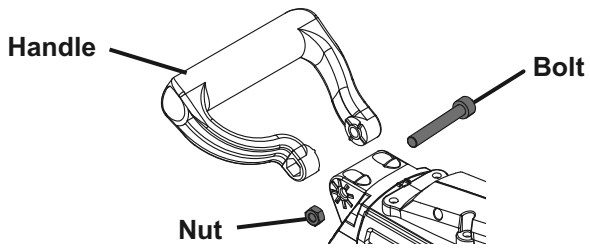
Functional Description



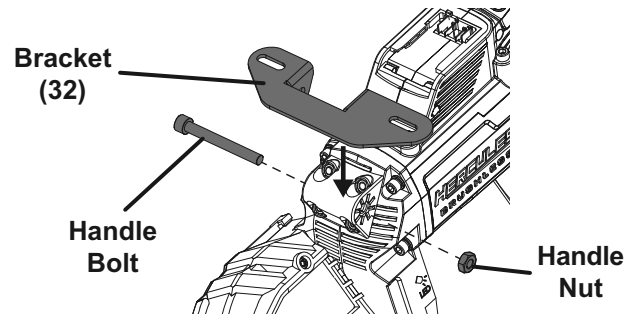
Attaching Bracket to Band Saw

Hercules Corded and Cordless

1. Remove Nut and Bolt from Handle, then remove Handle.

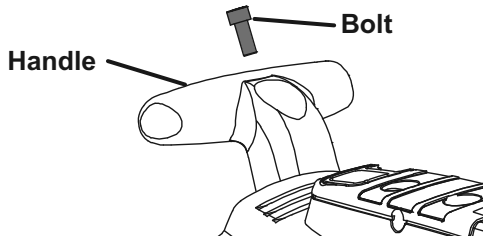


2. Attach Bracket (32) using Bolt and Nut from Handle, finger tighten.

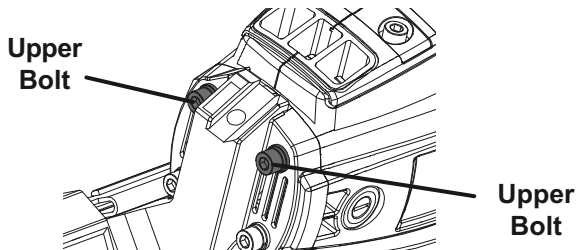


Bauer Corded and Cordless

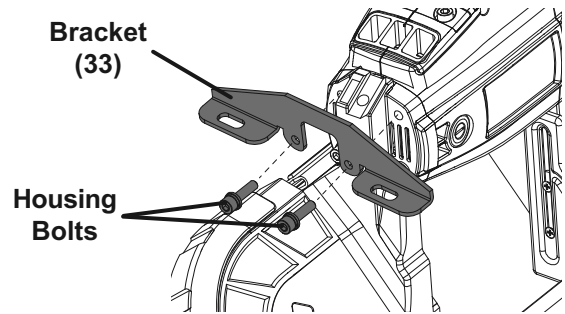
1. Remove Bolt from Handle, then remove Handle.



2. Remove upper Bolts from housing.

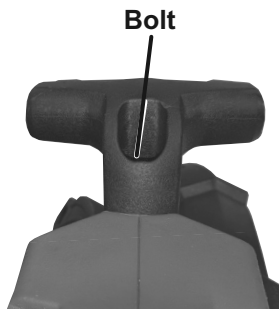


3. Attach Bracket (33), using housing Bolts, finger tighten.

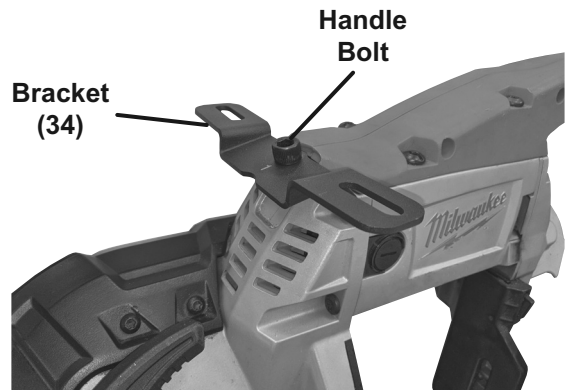


Milwaukee Corded and Cordless

1. Remove Bolt from Handle, then remove Handle.

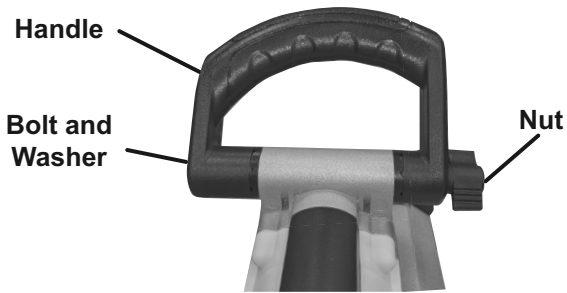


2. Attach Bracket (34), using Bolt from Handle, finger tighten.

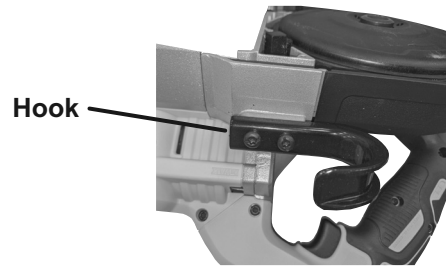


Dewalt Corded

1. Remove Nut, Bolt and Washer from Handle, then remove Handle.



3. Remove Hook.

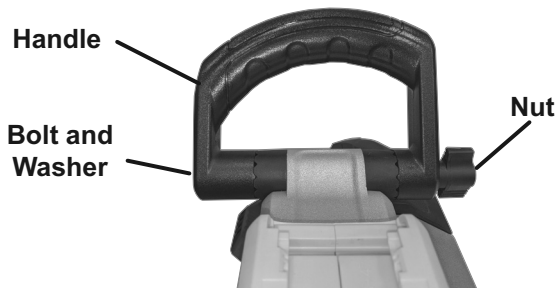


2. Attach Brackets (35) to lower holes using Bolt and Nut (40), finger tighten.

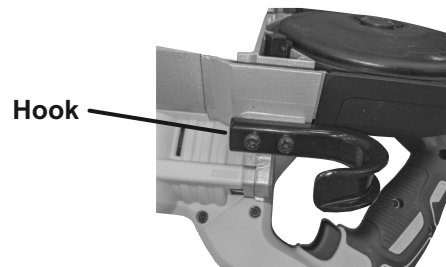


Dewalt Cordless

1. Remove Nut, Bolt and Washer from Handle, then remove Handle.



3. Remove Hook.



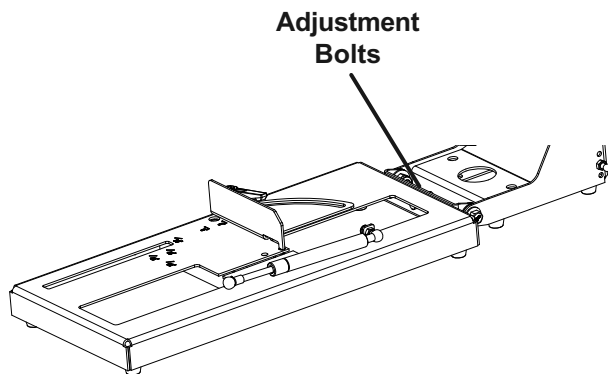
2. Attach Brackets (35) to lower holes using Bolt and Nut (41), finger tighten.



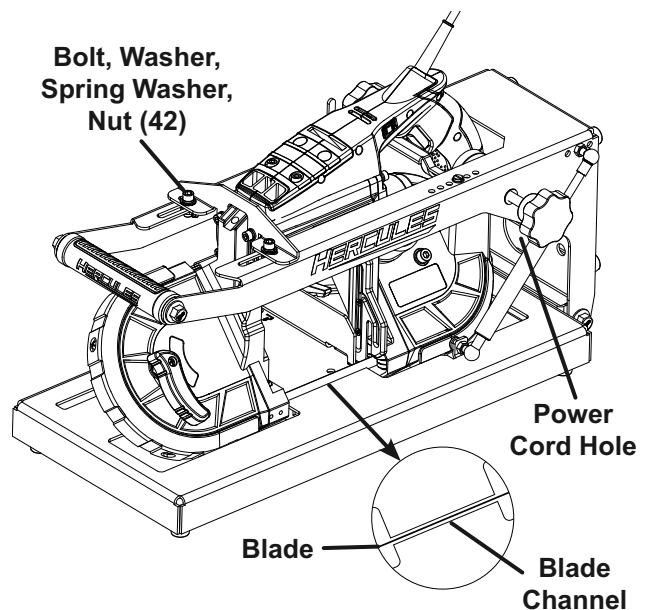
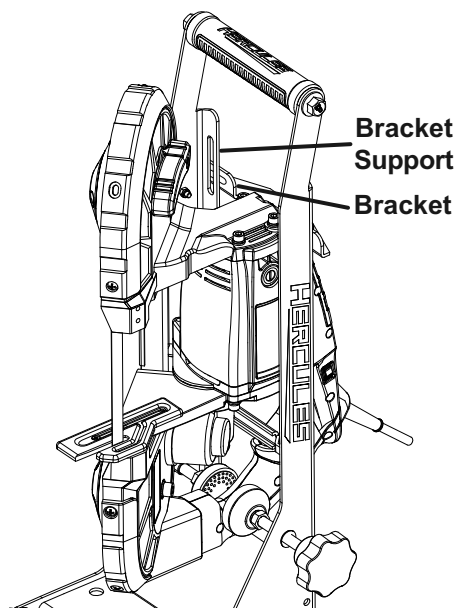
Attaching Band Saw To Stand

**WARNING! TO PREVENT SERIOUS INJURY: Band saw blade is sharp.
Wear heavy-duty work gloves while attaching band saw.**

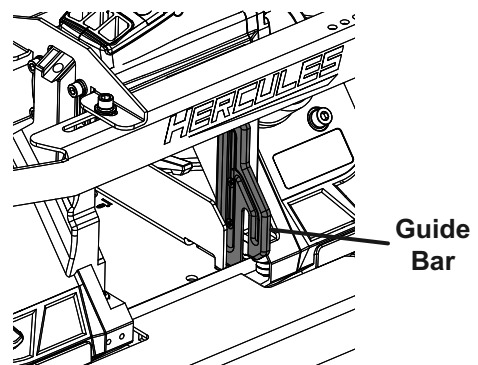
1. Remove Chain from Arm.
2. Using quick release, remove Gas Strut from Arm.
3. Lift Arm to upright position.
4. Loosen Adjustment Knobs.
5. Check level between Base and Arm. If necessary, loosen three Bolts between Base and Arm, level Stand, then tighten Bolts securely.
7. Route power cord through Power Cord Hole.
8. Lower Arm slowly, adjusting band saw so that blade fits inside Blade Channel.
9. Attach Gas Strut and Chain.
10. Attach Brackets with Bolts, Spring Washers, Flat Washers and Nuts (42), finger tighten.



6. Slide band saw up and into Stand with Brackets on outside of Bracket Support.



11. Move band saw forward until Guide Bar is as close as possible to edge of Stand without touching edge when lifting Arm.
12. Tighten Adjustment Knobs securely.



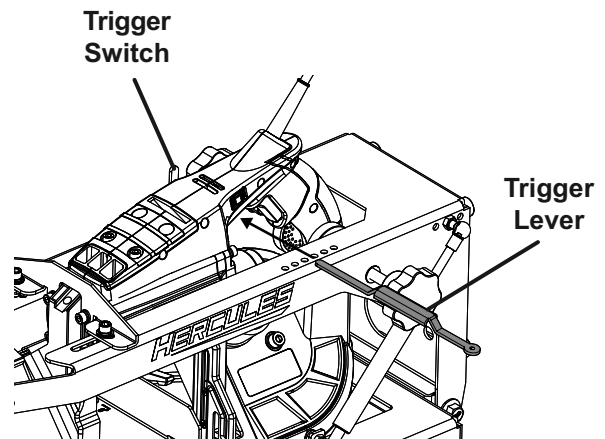
13. Adjust back of band saw by loosening or tightening Adjustment Knobs until Blade is centered in Channel.
14. Adjust front of band saw side to side until blade is centered in Channel.
15. Securely tighten hardware on Bracket to Stand, then securely tighten hardware on Bracket to band saw.
16. Loosen Adjustment Knobs slightly, then adjust back of band saw so that band saw is parallel with Arm, tighten Adjustment Knobs securely.

Installing Trigger Switch

1. Move Trigger Switch to ON position.
2. Slide Trigger Lever through band saw, next to Trigger Switch, lining up hole in Trigger Lever with holes in Stand.

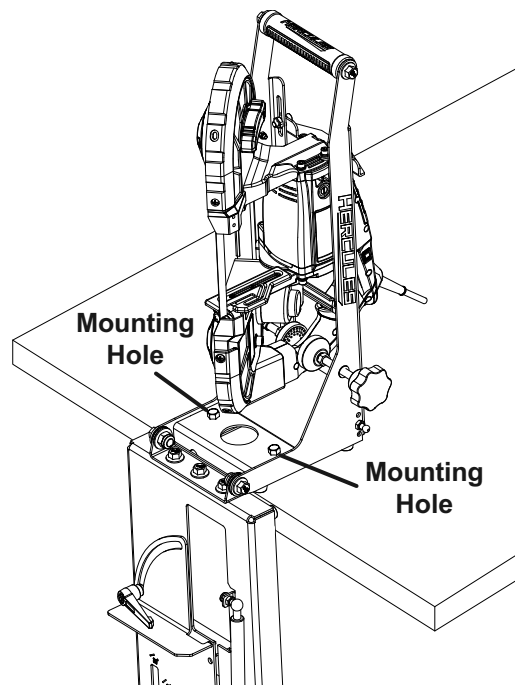
Note: Trigger Lever may need to be flipped to make proper contact with Band Saw's trigger.

3. Cycle Trigger Lever on and off to ensure correct operation.
4. Push Trigger Lever until band saw trigger is fully depressed, then secure Lever in corresponding hole using Bolt (9) and Washer (23).
5. Move Trigger Switch of OFF position.



Vertical Setup

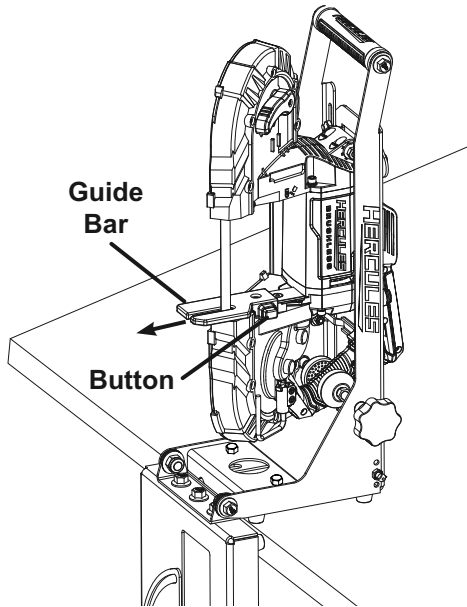
1. Remove Chain from Arm.
2. Using quick release, remove Gas Strut from Arm.
3. Lift Arm to vertical position.
4. Move Stand to edge of surface with Base hanging down.
5. **Mounting:** Using appropriate hardware, mount stand to flat, level, hard surface capable of supporting the weight of the band saw stand, band saw, and workpiece. **TEST WORK SET UP FOR STABILITY BEFORE USE.**



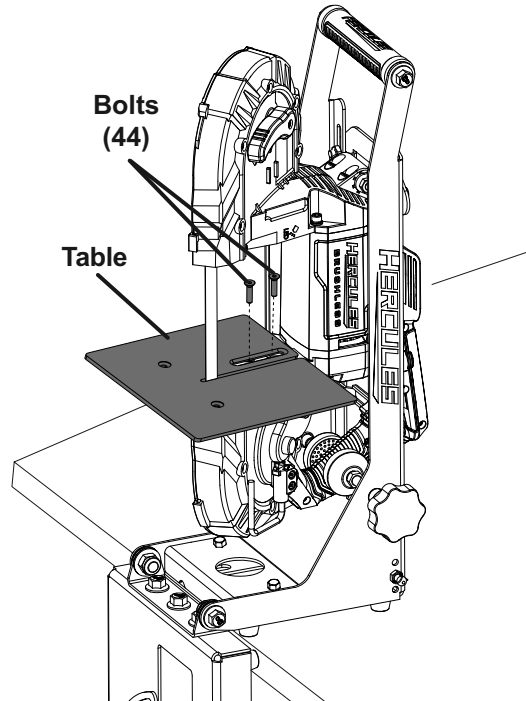
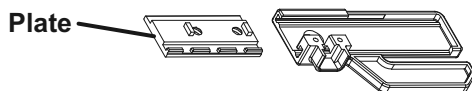
HERCULES

Hercules Corded and Cordless

1. Press Button, then pull Guide Bar out to expose Bolts.
2. Remove Bolts and Guide Bar.
4. Install Table over Plate, positioning it as far out as possible to create maximum work space.
5. Adjust Table so that Blade is centered in Blade Channel.
6. Secure Table using Bolts (44), tighten securely.

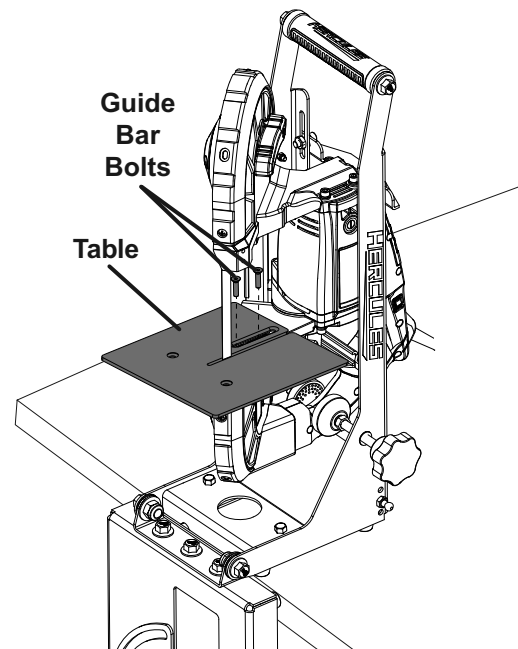


3. Slide Plate out of Guide bar, then replace Plate.



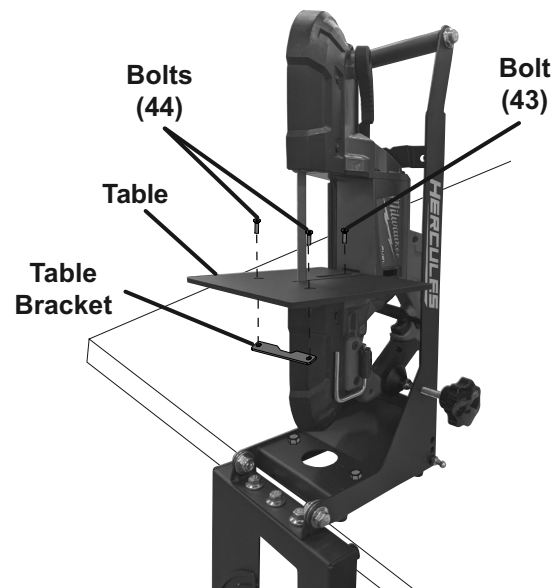
Bauer Corded

1. Remove Bolts and Guide Bar.
2. Install Table where Guide Bar was, positioning it as far out as possible to create maximum work space.
3. Adjust Table so that Blade is centered in Blade Channel.
4. Secure Table using Bolts from Guide Bar, tighten securely.



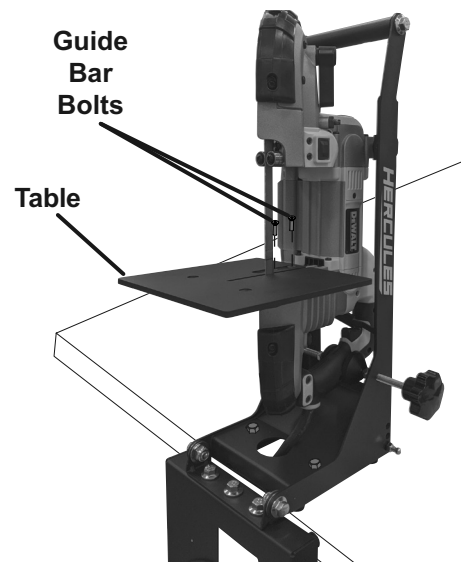
Milwaukee Corded and Cordless

1. Pull Guide Bar out to expose Bolt.
2. Remove Bolt.
3. Install Table, positioning it as far out as possible to create maximum work space.
4. Adjust Table so that Blade is centered in Blade Channel.
5. Secure Table using Bolt (43), tighten securely.
6. Secure Table Bracket using Bolts(44), tighten securely.



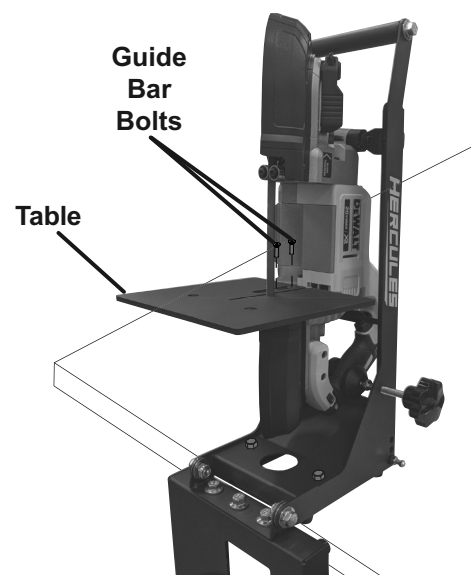
Dewalt Corded

1. Remove Bolts and Guide Bar.
2. Install Table where Guide Bar was, positioning it as far out as possible to create maximum work space.
3. Adjust Table so that Blade is centered in Blade Channel.
4. Secure Table using Bolts from Guide Bar, tighten securely.



Dewalt Cordless

1. Remove Bolts and Guide Bar.
2. Install Table where Guide Bar was, positioning it as far out as possible to create maximum work space.
3. Adjust Table so that Blade is centered in Blade Channel.
4. Secure Table using Bolts from Guide Bar, tighten securely.



OPERATING INSTRUCTIONS



Read the **ENTIRE IMPORTANT SAFETY INFORMATION** section at the beginning of this manual including all text under subheadings therein before set up or use.

⚠️ WARNING

TO PREVENT SERIOUS INJURY FROM ACCIDENTAL OPERATION:
Make sure that the Trigger is in the off-position and unplug the tool or remove its Battery Pack before performing any procedure in this section.

⚠️ WARNING



TO PREVENT SERIOUS INJURY: Wear ANSI-approved safety goggles, heavy-duty work gloves, and heavy-duty long-sleeved shirt or coat whenever working near the Blade. Do not wear gloves when sawing.

READ AND FOLLOW THE BAND SAW MANUFACTURER'S INSTRUCTION MANUAL BEFORE OPERATION. USE AS BAND SAW STAND ONLY – DO NOT USE WITH ANY OTHER TYPE OF POWER TOOL. DO NOT USE ON UNEVEN OR SLIPPERY SURFACES.

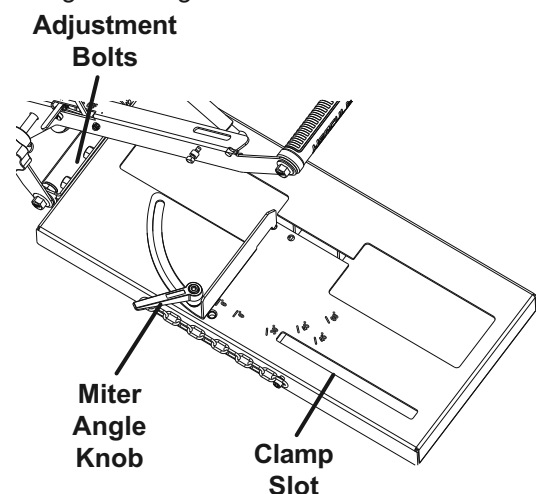
Workpiece and Work Area Set Up

1. Designate a work area that is clean and well-lit. The work area must not allow access by children or pets to prevent distraction and injury.
2. Route the power cord along a safe route to reach the work area without creating a tripping hazard or exposing the power cord to possible damage. The power cord must reach the work area with enough extra length to allow free movement while working.
3. Secure loose workpieces using clamps (sold separately) to prevent movement while working.
4. There must not be objects, such as utility lines, nearby that will present a hazard while working.

Horizontal Operation

WARNING! TO PREVENT SERIOUS INJURY: READ AND FOLLOW THE BAND SAW MANUFACTURER'S INSTRUCTION MANUAL BEFORE OPERATION. DO NOT WEAR GLOVES WHEN SAWING.

1. Set up Band Saw according to its instruction manual.
2. Install Band Saw into Stand, then plug into grounded 120VAC outlet or install battery pack.
3. **Make test cut:**
 - a. Using 3" diameter thick-wall steel pipe or square tube, draw a line along length of pipe.
 - b. Using Harbor Freight 9" Drill Press Clamp, slide Clamp's ring into Clamp Slot and secure pipe with the line facing up.
4. **Set angle:** Loosen Miter Angle Knob, set angle then tighten Knob.



- c. With Band Saw in upright position, move Trigger Switch to On position, make straight cut, then use T-Square to check cut 90° from line on both sides.
- d. If necessary, fine tune adjustment with three Bolts between Base and Arm.

5. With Band Saw in upright position, move Trigger Switch to On position. After cut is finished, move Trigger Switch to OFF position.
6. To prevent accidents, disconnect tool's power supply after use. Clean, then store the tool indoors out of children's reach.

Vertical Operation

WARNING! TO PREVENT SERIOUS INJURY: READ AND FOLLOW THE BAND SAW MANUFACTURER'S INSTRUCTION MANUAL BEFORE OPERATION. DO NOT WEAR GLOVES WHEN SAWING.

1. Set up Band Saw according to its instruction manual.
2. Install Band Saw in Stand, then plug into grounded 120VAC outlet or install battery pack.
3. **Types of Cuts:**
 - a. Standard cuts are at 90° angle to the Table, use both hands to guide material, keeping the workpiece flat against the Table.
 - b. Make Contour cuts by guiding the workpiece free-handed for curve shapes, use both hands to guide material, keeping the workpiece flat against the Table.
4. Mark material to be cut.
5. Move Trigger Switch to On position, then make cut. After cut is finished, move Trigger Switch to OFF position.
6. To prevent accidents, disconnect tool's power supply after use. Clean, then store the tool indoors out of children's reach.

HERCULES

MAINTENANCE



Procedures not specifically explained in this manual must be performed only by a qualified technician.

⚠️ WARNING

TO PREVENT SERIOUS INJURY FROM ACCIDENTAL OPERATION: Release the Trigger and unplug tool or remove the Battery Pack before performing any procedure in this section.

TO PREVENT SERIOUS INJURY FROM TOOL FAILURE:
Do not use damaged equipment. If abnormal noise or vibration occurs, have the problem corrected before further use.

1. **BEFORE EACH USE**, inspect the general condition of the tool. Check for:
 - loose hardware,
 - misalignment or binding of moving parts,
 - cracked or broken parts,
 - any other condition that may affect its safe operation.
2. **AFTER USE**, wipe external surfaces of the tool with clean cloth, then store the tool indoors out of children's reach..

PLEASE READ THE FOLLOWING CAREFULLY

THE MANUFACTURER AND/OR DISTRIBUTOR HAS PROVIDED THE PARTS LIST AND ASSEMBLY DIAGRAM IN THIS MANUAL AS A REFERENCE TOOL ONLY. NEITHER THE MANUFACTURER OR DISTRIBUTOR MAKES ANY REPRESENTATION OR WARRANTY OF ANY KIND TO THE BUYER THAT HE OR SHE IS QUALIFIED TO MAKE ANY REPAIRS TO THE PRODUCT, OR THAT HE OR SHE IS QUALIFIED TO REPLACE ANY PARTS OF THE PRODUCT. IN FACT, THE MANUFACTURER AND/OR DISTRIBUTOR EXPRESSLY STATES THAT ALL REPAIRS AND PARTS REPLACEMENTS SHOULD BE UNDERTAKEN BY CERTIFIED AND LICENSED TECHNICIANS, AND NOT BY THE BUYER. THE BUYER ASSUMES ALL RISK AND LIABILITY ARISING OUT OF HIS OR HER REPAIRS TO THE ORIGINAL PRODUCT OR REPLACEMENT PARTS THERETO, OR ARISING OUT OF HIS OR HER INSTALLATION OF REPLACEMENT PARTS THERETO.

PARTS LIST AND DIAGRAM

Parts List

Part	Description	Qty
1	Foot	8
2	Knob	2
3	Gas Strut	1
4	Chain Bolt	1
5	Chain	1
6	Angle Lever	1
7	Spring	1
8	Sleeve	2
9	Trigger Lever Bolt	2
10	Trigger Switch Bolt	1
11	Sleeve	1
12	Angle Plate	1
13	Trigger Lever	1
14	Trigger Switch	1
15	Handle	1
16	Upper Arm	1
17	Adjustable Plate	1
18	Base	1
19	M8 Lock Nut	1
20	M8 Nut	4
21	M6X12 Hex Bolt	1
22	M6 Lock Nut	2
23	M5X16 Bolt	8

Part	Description	Qty
24	M5 Lock Nut	2
25	M12X20 Hex Flange Bolt	2
26	M12X16 Hex Flange Bolt	5
27	M12 Lock Nut	2
28	8X16X1.5 Washer	1
29	6X12X1 Washer	1
30	30X17X1.5 Washer	4
32	Hercules Bracket	1
33	Bauer Bracket	1
34	Milwaukee Bracket	1
35	Dewalt Bracket	2
36	Milwaukee Table Bracket	1
37	Table	1
38	6mm Hex Wrench	1
39	5mm Hex Wrench	1
40	Dewalt Bracket M6X95 GB70 Hex Bolt, Nut	1
41	Hercules Bracket M8X75-GB70 Hex Bolt, Nut	1
42	Bracket to Stand M8X20 Stand Bolt, Spring Washer, Flat Washer, Nut	2
43	Milwaukee Table M5X35 Bolt	1
44	Table Bracket M6X20 Bolt	2

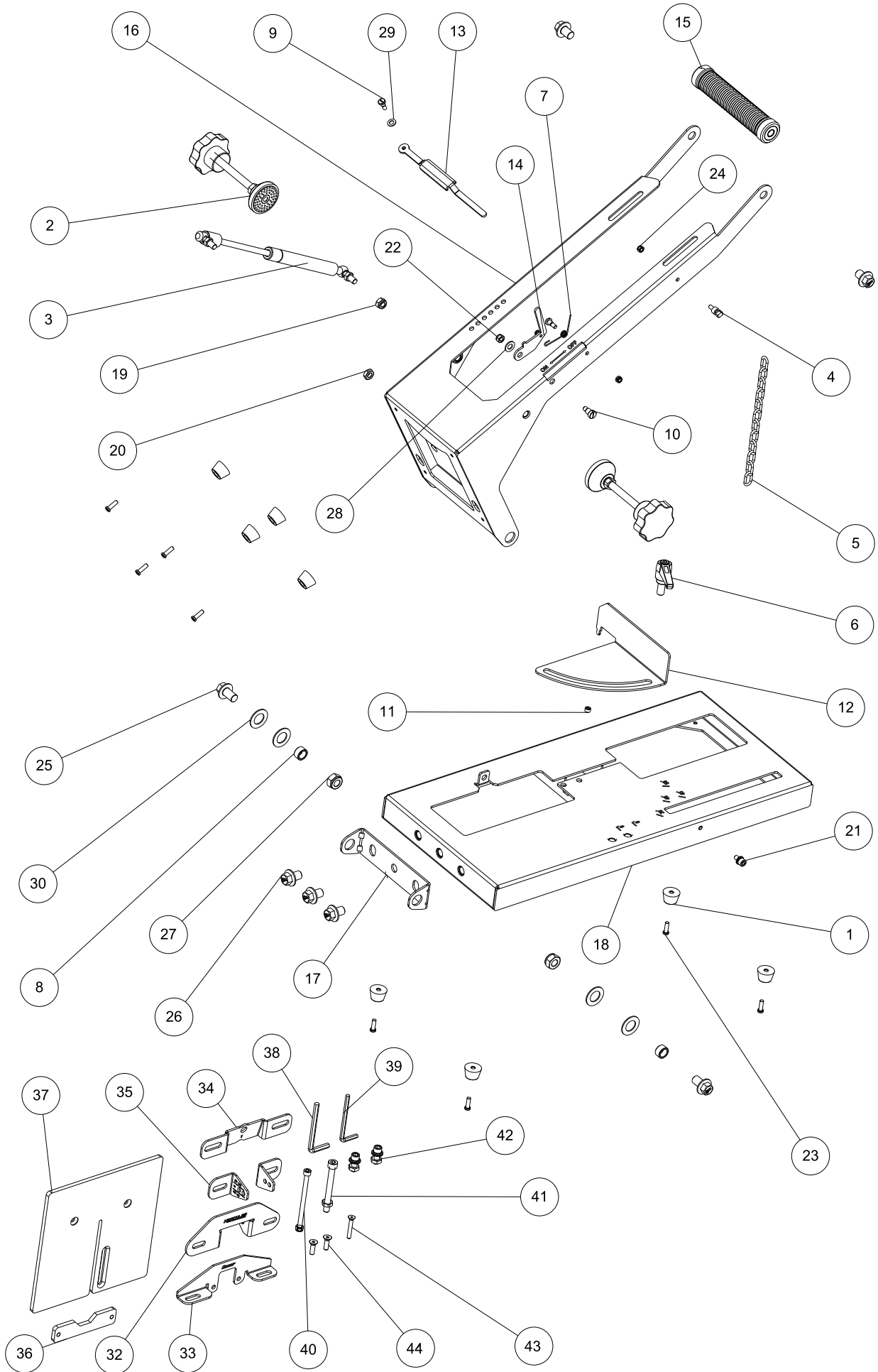
Record Product's Serial Number Here: _____

Note: If product has no serial number, record month and year of purchase instead.

Note: Replacement parts may be available for this item.

Visit harborfreight.com/parts for a list of in stock parts. Reference UPC 193175506610.

Assembly Diagram



LIMITED 90 DAY WARRANTY

Harbor Freight Tools Co. makes every effort to assure that its products meet high quality and durability standards, and warrants to the original purchaser that this product is free from defects in materials and workmanship for the period of 90 days from the date of purchase. This warranty does not apply to damage due directly or indirectly, to misuse, abuse, negligence or accidents, repairs or alterations outside our facilities, criminal activity, improper installation, normal wear and tear, or to lack of maintenance. We shall in no event be liable for death, injuries to persons or property, or for incidental, contingent, special or consequential damages arising from the use of our product. Some states do not allow the exclusion or limitation of incidental or consequential damages, so the above limitation of exclusion may not apply to you. THIS WARRANTY IS EXPRESSLY IN LIEU OF ALL OTHER WARRANTIES, EXPRESS OR IMPLIED, INCLUDING THE WARRANTIES OF MERCHANTABILITY AND FITNESS.

To take advantage of this warranty, the product or part must be returned to us with transportation charges prepaid. Proof of purchase date and an explanation of the complaint must accompany the merchandise. If our inspection verifies the defect, we will either repair or replace the product at our election or we may elect to refund the purchase price if we cannot readily and quickly provide you with a replacement. We will return repaired products at our expense, but if we determine there is no defect, or that the defect resulted from causes not within the scope of our warranty, then you must bear the cost of returning the product.

This warranty gives you specific legal rights and you may also have other rights which vary from state to state.

HERCULES and BAUER are trademarks of Harbor Freight Tools.
All other marks are trademarks of their respective owners.

**Visit our website at: <http://www.harborfreight.com>
Email our technical support at: productsupport@harborfreight.com
For technical questions, please call 1-888-866-5797**

Copyright© 2022 by Harbor Freight Tools®. All rights reserved. No portion of this manual or any artwork contained herein may be reproduced in any shape or form without the express written consent of Harbor Freight Tools. Diagrams within this manual may not be drawn proportionally. Due to continuing improvements, actual product may differ slightly from the product described herein. Tools required for assembly and service may not be included.

HERCULES

26677 Agoura Road • Calabasas, CA 91302 • 1-888-866-5797