

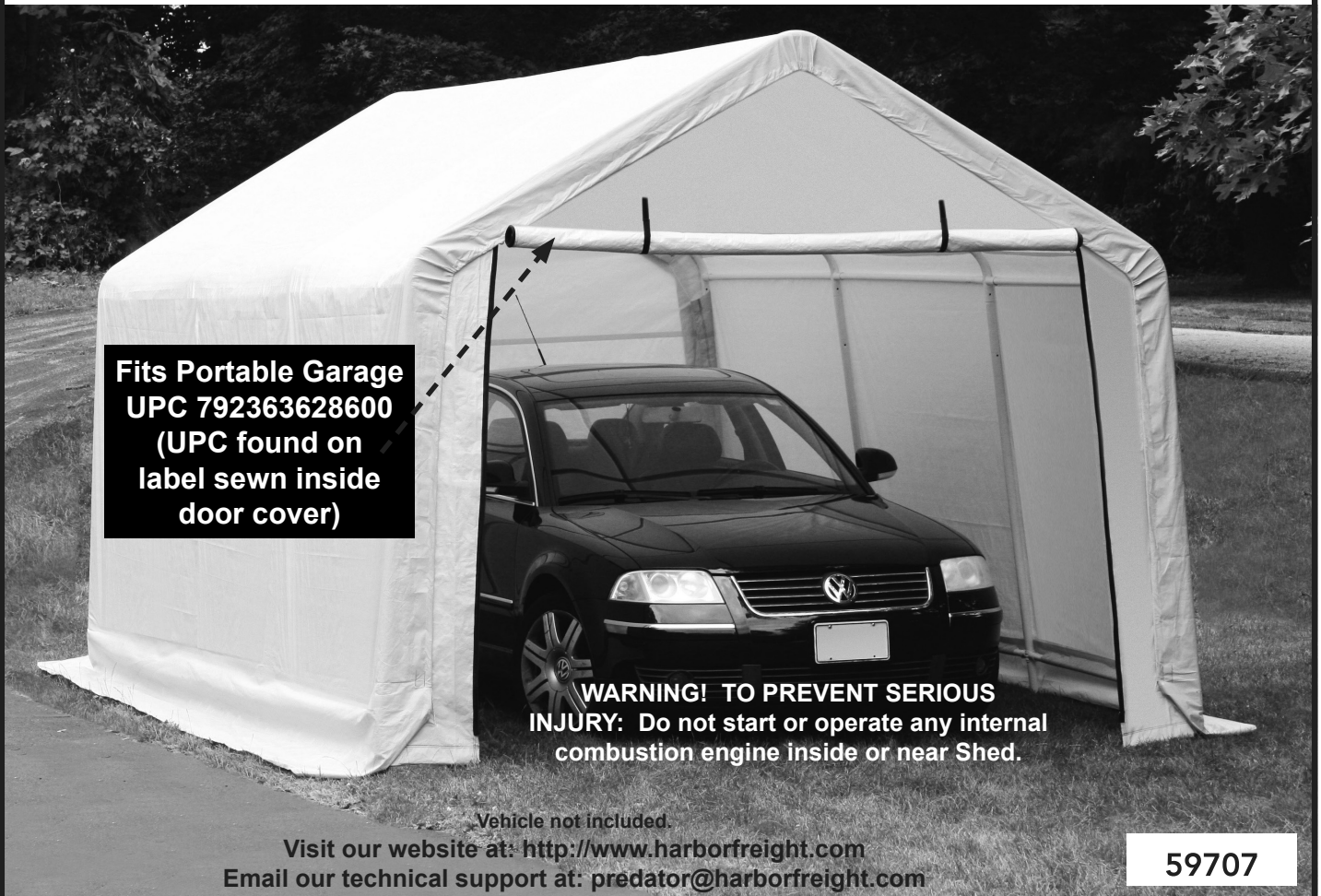
Owner's Manual & Safety Instructions

Save This Manual Keep this manual for the safety warnings and precautions, assembly, operating, inspection, maintenance and cleaning procedures. Write the product's serial number in the back of the manual (or month and year of purchase if product has no number). Keep this manual and the receipt in a safe and dry place for future reference.

23b



10 FT. x 17 FT. PORTABLE GARAGE 3 PART KIT



**Fits Portable Garage
UPC 792363628600
(UPC found on
label sewn inside
door cover)**

**WARNING! TO PREVENT SERIOUS
INJURY: Do not start or operate any internal
combustion engine inside or near Shed.**

Vehicle not included.

Visit our website at: <http://www.harborfreight.com>
Email our technical support at: predator@harborfreight.com

59707

When unpacking, make sure that the product is intact and undamaged. If any parts are missing or broken, please call 1-888-866-5797 as soon as possible.

⚠️ WARNING

Read this material before using this product. Failure to do so can result in serious injury.
SAVE THIS MANUAL.

Copyright© 2022 by Harbor Freight Tools®. All rights reserved.
No portion of this manual or any artwork contained herein may be reproduced in any shape or form without the express written consent of Harbor Freight Tools. Diagrams within this manual may not be drawn proportionally. Due to continuing improvements, actual product may differ slightly from the product described herein.
Tools required for assembly and service may not be included.

Table of Contents

Important Safety Information	3	Maintenance	9
Specifications	2	Parts List and Diagram	11
Assembly	4	Warranty	12



WARNING SYMBOLS AND DEFINITIONS

	This is the safety alert symbol. It is used to alert you to potential personal injury hazards. Obey all safety messages that follow this symbol to avoid possible injury or death.
	Indicates a hazardous situation which, if not avoided, will result in death or serious injury.
	Indicates a hazardous situation which, if not avoided, could result in death or serious injury.
	Indicates a hazardous situation which, if not avoided, could result in minor or moderate injury.
	Addresses practices not related to personal injury.

	WARNING marking concerning Risk of Eye Injury. Wear ANSI-approved safety goggles with side shields.		WARNING marking concerning Risk of Head Injury. Wear hard hat during assembly and service.
	Read the manual before assembly and/or use.		WARNING marking concerning Risk of Hand Injury. Wear heavy-duty work gloves during assembly and service.

SAFETY

ASSEMBLY

MAINTENANCE

IMPORTANT SAFETY INFORMATION

WARNING

Read all safety warnings and instructions.

Failure to follow the warnings and instructions may result in serious injury.


Save all warnings and instructions for future reference.

The warnings, precautions, and instructions discussed in this instruction manual cannot cover all possible conditions and situations that may occur. It must be understood by the operator that common sense and caution are factors which cannot be built into this product, but must be supplied by the operator.

Assembly Precautions

1. Do not assemble in windy conditions.
2. Assemble and install only on flat, level, hard surface.
3. Assemble and anchor only according to these instructions. Improper assembly or inadequate anchoring can create hazards.
4. Check for utility lines, tree branches and other structures before assembling.
5. Verify that installation surface has no hidden utility lines before anchoring.
6. Wear ANSI-approved safety goggles, heavy-duty work gloves and hard hat during assembly and service.
7. Keep assembly area clean and well lit.
8. Keep bystanders out of the area during assembly.
9. Do not assemble when tired or when under the influence of drugs or medication.
10. Product capabilities apply to properly and completely assembled product only.

Use Precautions

1.  **CARBON MONOXIDE HAZARD**
Using an engine inside Shed
CAN KILL YOU IN MINUTES.
Engine exhaust contains carbon monoxide. This is a poison you cannot see or smell. NEVER use an engine inside Shed, EVEN IF cover is open. Only use an engine OUTSIDE and far away from Shed.
2. **DO NOT USE IN HIGH WIND. Remove cover if harsh weather or heavy rain threatens.**
3. **For temporary use only.**
Do not use for long-term shelter.
4. **Do not use as tent. Does not meet tent flammability standards. Do not use grill, heater, or ignition sources inside or near cover.**
5. **Do not allow snow, rainwater or debris to accumulate or pool on cover.**
6. **Do not hang objects from any part of the Garage.**
7. This product is not a toy. Do not allow children to play with or near this item.
8. Use as intended only.
9. Inspect regularly, tighten all loose hardware and loose ropes, and secure all loosened anchors. If any parts are damaged, bent, or stretched, they must be replaced. Hardware may loosen during normal operation stresses. Loose hardware or damaged/altered parts will compromise the structural integrity of this product.
10. Maintain product labels and nameplates. These carry important safety information. If unreadable or missing, contact Harbor Freight Tools for a replacement.

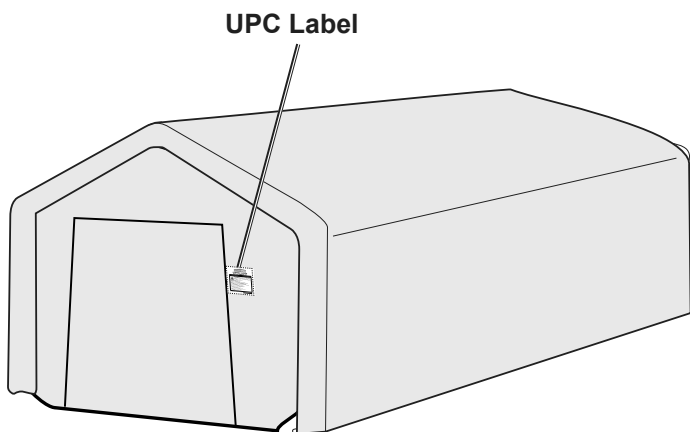


SAVE THESE INSTRUCTIONS.

Before Setup

Compatibility

1. This product is only compatible with UPC 792363628600.
2. To find UPC on original Portable Garage, locate sewn in label on inside of Door Cover.
3. UPC is located at the bottom of the label.



Assembly



Read the **ENTIRE IMPORTANT SAFETY INFORMATION** section at the beginning of this manual including all text under subheadings therein before set up or use of this product.

Note: For additional information regarding the parts listed in the following pages, refer to *Parts List and Diagram* on page 11.

WARNING

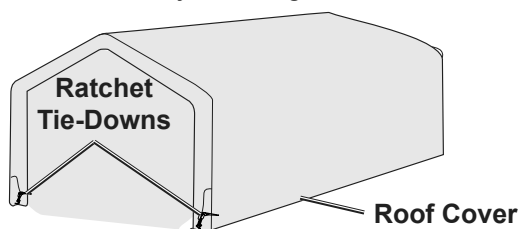
TO PREVENT SERIOUS INJURY:

Do not leave this product partially assembled. Assemble this product completely at one time.

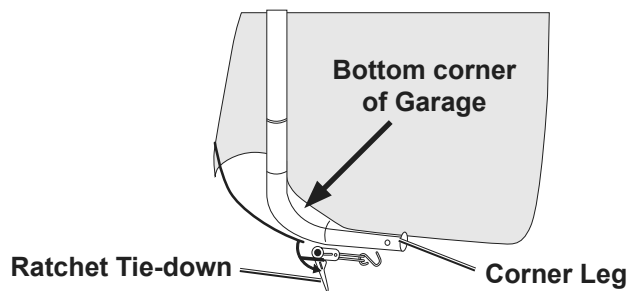
Note: At least 3 workers are required for assembly. Before starting assembly, review the instructions and make sure there is enough time and the proper tools available to properly assemble. Finger tighten all connections until assembly is done. Assemble on a flat, level surface.

Removing Door/Back Cover

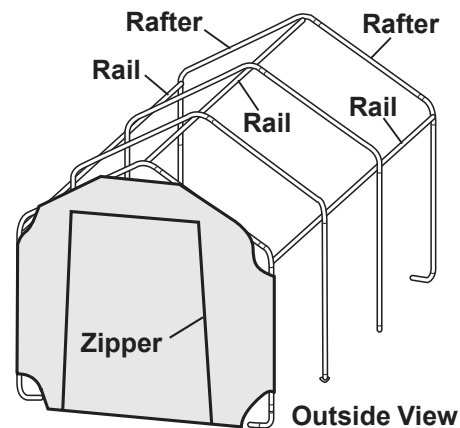
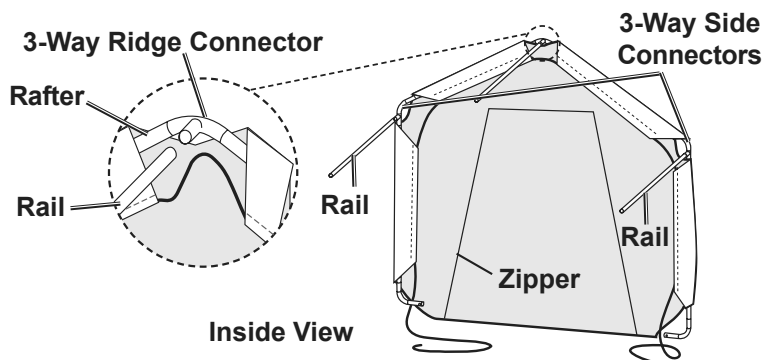
1. Referring to *Releasing Ratchet Tie-Downs* on page 6, loosen but do **not remove** the two Ratchet Tie-Downs that secure the Roof Cover corners to the Garage. The Roof Cover flaps wrap around the Door/Back Cover. Loosen the Roof Cover just enough to access the Door/Back Cover.



2. Remove the two Ratchet Tie-downs at the Corner Legs that secure the Door/Back Cover to the Garage. **Save the Ratchet Tie-downs for the new Cover.**



- From inside the Garage, disconnect the Rails from the frame's 3-Way Ridge and Side Connectors.

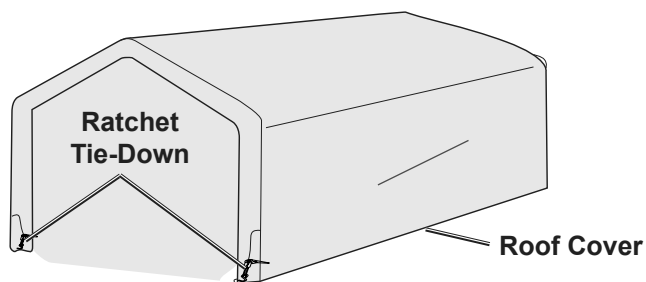


Note: Roof Cover not shown to provide a clear view of frame construction.

- Remove Door/Back Cover from the frame's Rafter and side tubes.
- Install new Cover by referring to *Door and Back Cover Installation* on page 7.

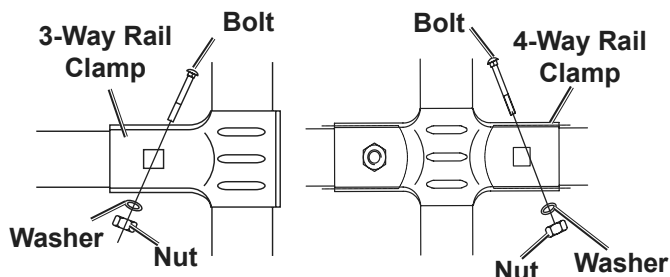
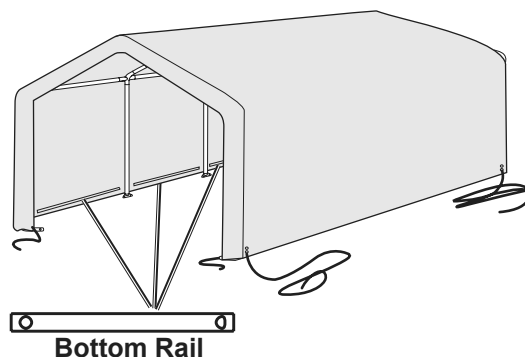
Removing Roof

- Referring to *Releasing Ratchet Tie-Downs* on page 6, disconnect and remove the four Ratchet Tie-downs at the Corner Legs that secure the Roof Cover to the Garage.
Save the Ratchet Tie-downs for the new Roof Cover.



Note: Do not remove the Door/Back Cover.

- Inside the Garage, carefully remove the Clamps connecting the Bottom Rails.
Save the Clamps and all hardware for the new Roof Cover.
Remove the six Bottom Rails (three on each side) inside the fabric tubes.
Save the Rails for the new Roof Cover.



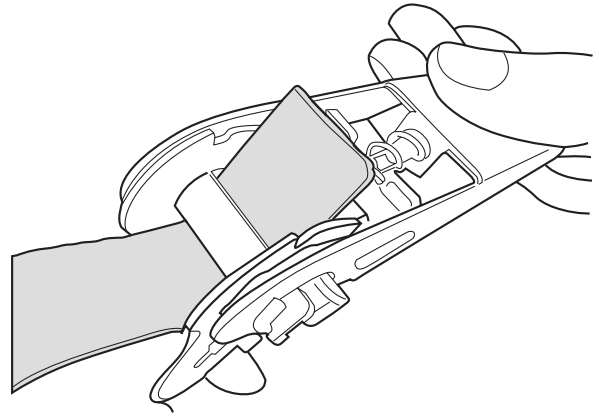
Note: Door not shown on illustration above to provide a clear view of parts removal.

- Pull ends of the Ropes over the frame and pull Roof Cover off frame.
Remove the two corner Ropes and save them for the new Roof Cover.
- Install new Roof Cover by referring to *Roof Cover Installation* on page 8.

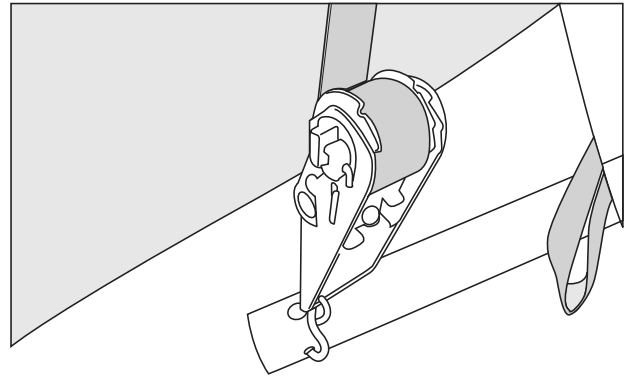
Securing Ratchet Tie-downs

Note: Use these instructions when installing Door, Back, and Roof cover.

1. Thread the strap through the spindle of the Ratchet (22) as far as it will go.

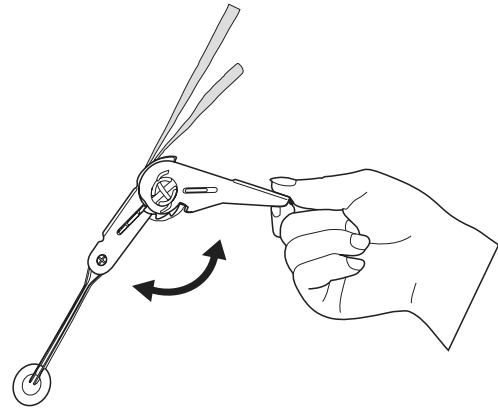


2. Insert the S-hook of the Ratchet into the hole in the Corner Leg (23).



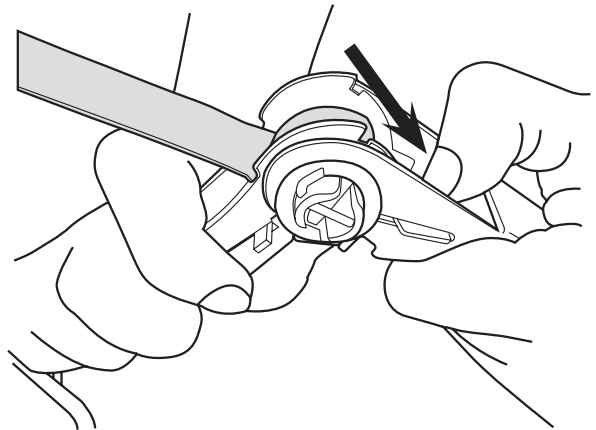
3. Lift and lower the Ratchet's handle to wind and tighten the strap onto the spindle.

NOTICE: Excessive tightening will damage straps, Covers, and Corner Legs.



Releasing Ratchet Tie-downs

1. Depress the spring-loaded bar on the handle.
2. Open ratchet handle completely.
3. Unwind the strap.

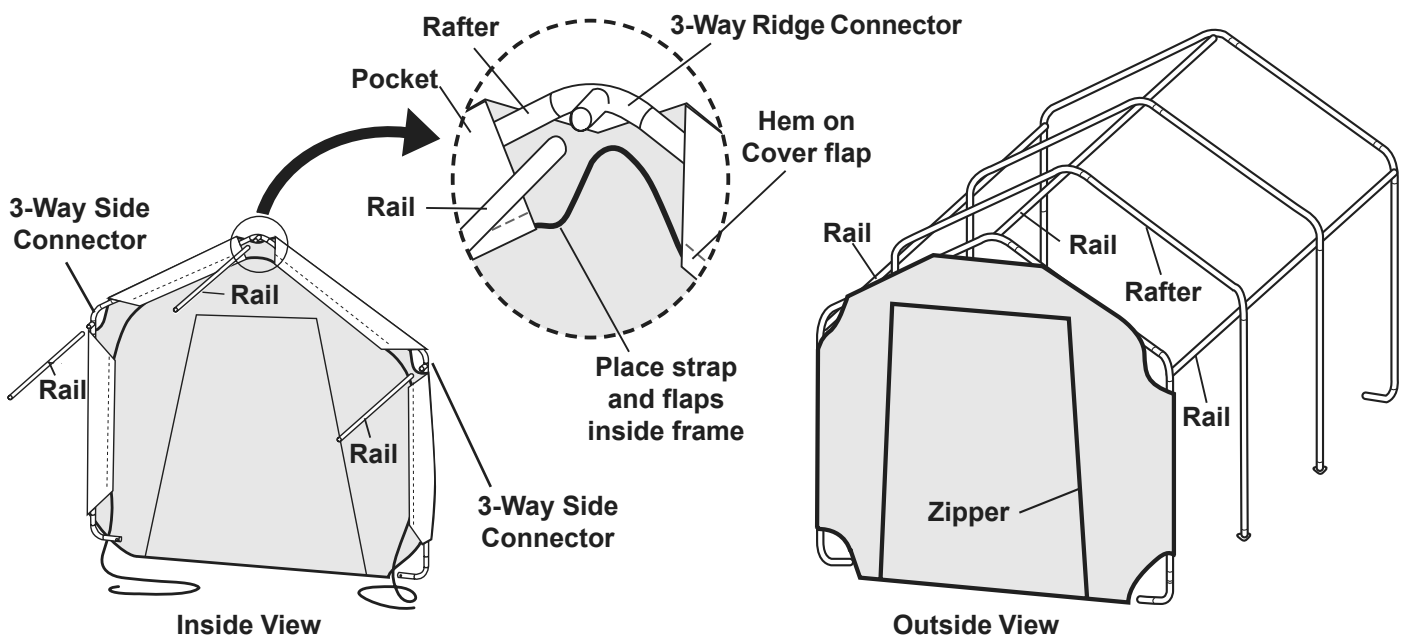


Door and Back Cover Installation

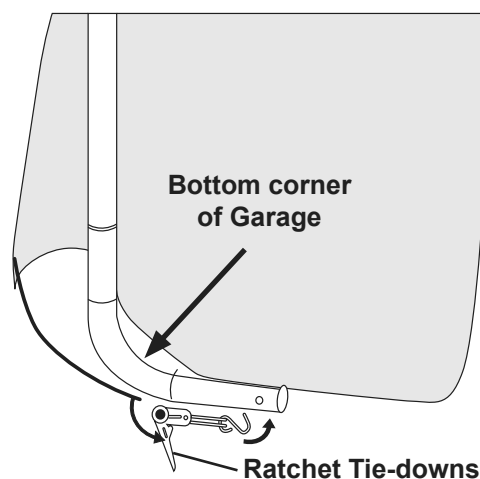
Note: When installing Door/Back Cover, ensure that pre-installed straps are not pulled out of the Hem.

Note: Roof Cover not shown on illustrations to provide a clear view of installation.

1. Position the **Door Cover** near where you want the front of the Portable Garage, and turn it so that the zipper faces the outside of the Garage, and the warning tag faces inside. The **Back Cover** attaches to the other end of the Garage.
2. From inside, with the Rails disconnected, place the Door/Back Cover gaps at the frame's 3-Way Connectors as shown below.
Insert the frame's Rafter and side tubes into the pockets of the Door/Back Cover as shown below.
DO NOT ATTEMPT TO INSERT ANY FRAMEWORK TUBING INTO THE HEM ON THE COVER FLAPS.
3. Reconnect the Rails and side tubes securely to the 3-Way Connectors.
Note the strap is positioned inside the frame.



4. Use the two saved Ratchet Tie-downs to attach the Door/Back Cover to the two Corner Legs. Refer to *Securing Ratchet Tie-downs* section on page 6.

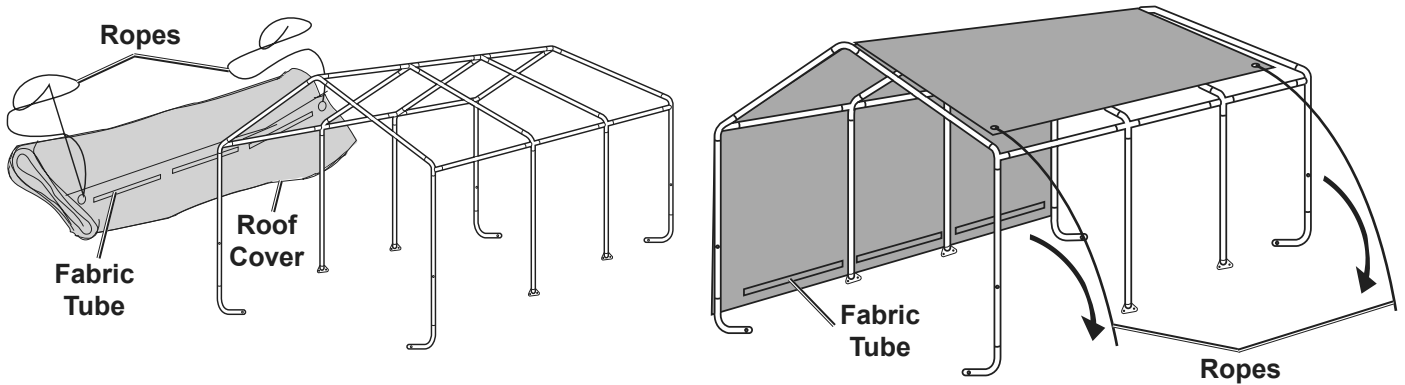


5. Wrap Roof Cover flaps around Door/Back Cover. Tighten the four Ratchet Tie-Downs that secure the Roof Cover corners to the Garage frame.

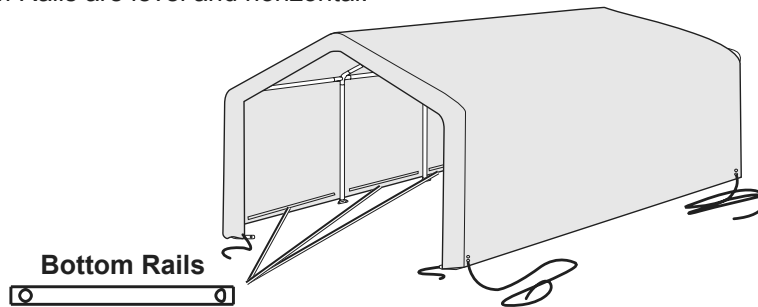
Roof Cover Installation

Note: Door and Back Covers not shown on illustrations to provide a clear view of installation.

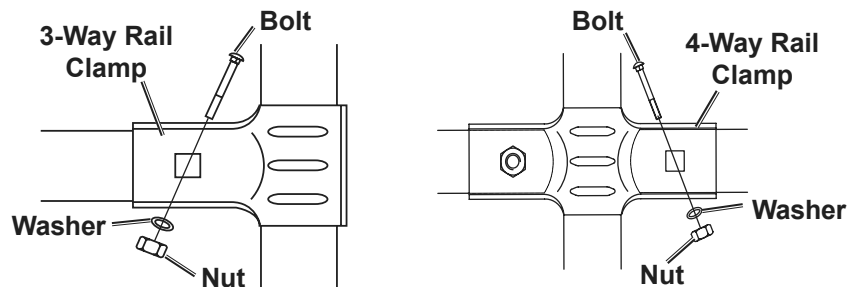
1. Lay the Roof Cover on the ground next to the frame. Make sure that the edges with black straps are alongside the Door/Back Covers and one set of the fabric tubes is facing upwards.
2. Tie each Rope through an eyelet at the corner of the Roof Cover.
3. Throw the other ends of the Ropes over the frame.
4. Move to the other side of the frame and pull the Cover over the frame. Make sure that the Roof Cover is centered on the frame. If small adjustment is needed, two people should pull together from the same end of the Portable Garage so that the Roof Cover does not become twisted.



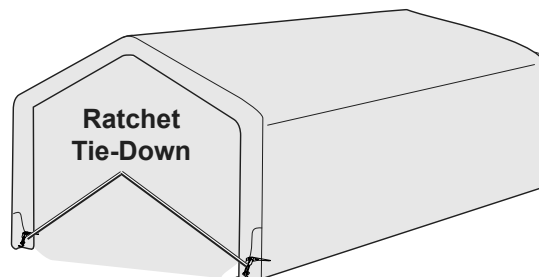
5. Insert the six saved Bottom Rails into the fabric tubes (three on each side) of the Roof Cover. Make sure the Bottom Rails are level and horizontal.



6. Attach the Bottom Rails to the Corner Studs using the saved 3-Way Rail Clamps and Bolts, Nuts and Washers, and to the Center Studs using the saved 4-Way Rail Clamps as shown below. Finger tighten. Make sure that all the bottom cross rails are of the same height from the ground, then tighten all nuts.



7. Attach the four saved Ratchet Tie-Downs to secure the Roof Cover to Corner Legs, Refer to *Securing Ratchet Tie-downs* on page 6. Note that the Roof Cover wraps around the Door/Back Cover.



Maintenance



Procedures not specifically explained in this manual must be performed only by a qualified technician.

WARNING

TO PREVENT SERIOUS INJURY FROM PRODUCT FAILURE:

Do not use damaged products. If damage is noted, have the problem corrected before further use.

Inspection

MONTHLY, inspect the general condition of the Portable Garage. Check for:

- loose ratchet tie downs, anchors, tube connections, and rail clamps (tighten as needed),
- torn or frayed covers, ropes, or cables,
- cracked, bent, or broken parts, and
- any other condition that may affect its safe operation.

Cleaning

1. Immediately remove any accumulated debris from the cover with a broom, mop, or other soft-sided instrument from the outside. **DO NOT** use sharp instruments.
2. **PERIODICALLY**, clean cover with mild soap and water. **DO NOT** use bleach or harsh abrasive products.

PLEASE READ THE FOLLOWING CAREFULLY

THE MANUFACTURER AND/OR DISTRIBUTOR HAS PROVIDED THE PARTS LIST AND ASSEMBLY DIAGRAM IN THIS MANUAL AS A REFERENCE TOOL ONLY. NEITHER THE MANUFACTURER OR DISTRIBUTOR MAKES ANY REPRESENTATION OR WARRANTY OF ANY KIND TO THE BUYER THAT HE OR SHE IS QUALIFIED TO MAKE ANY REPAIRS TO THE PRODUCT, OR THAT HE OR SHE IS QUALIFIED TO REPLACE ANY PARTS OF THE PRODUCT. IN FACT, THE MANUFACTURER AND/OR DISTRIBUTOR EXPRESSLY STATES THAT ALL REPAIRS AND PARTS REPLACEMENTS SHOULD BE UNDERTAKEN BY CERTIFIED AND LICENSED TECHNICIANS, AND NOT BY THE BUYER. THE BUYER ASSUMES ALL RISK AND LIABILITY ARISING OUT OF HIS OR HER REPAIRS TO THE ORIGINAL PRODUCT OR REPLACEMENT PARTS THERETO, OR ARISING OUT OF HIS OR HER INSTALLATION OF REPLACEMENT PARTS THERETO.

SAFETY

ASSEMBLY




MAINTENANCE

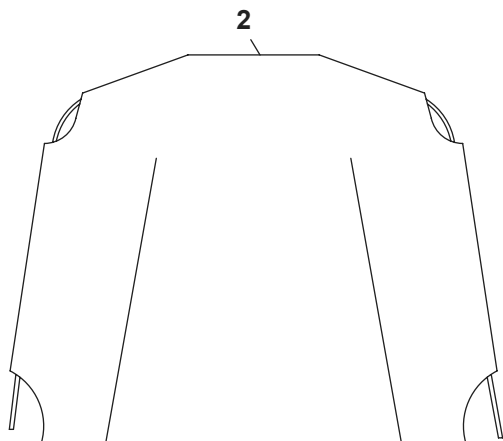
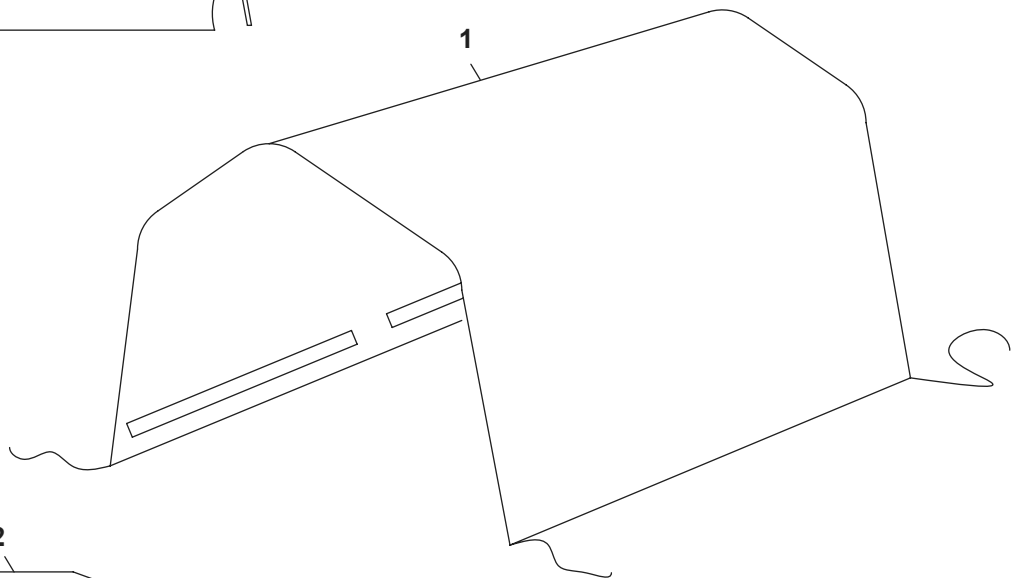
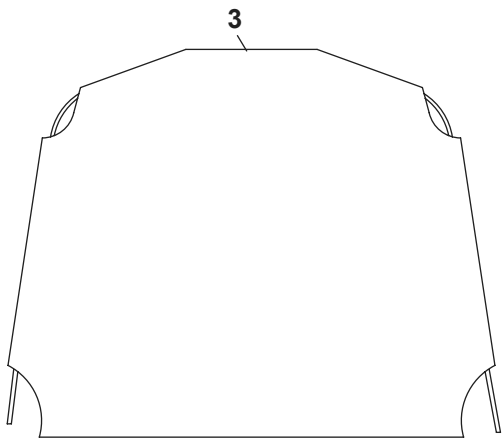
Record Product's Serial Number Here: _____

Note: If product has no serial number, record month and year of purchase instead.

Note: Some parts are listed and shown for illustration purposes only, and are not available individually as replacement parts. Specify UPC 193175479099 when ordering parts.

Parts List and Diagram

Part	Description	Illustration	Qty
1	Roof Cover		1
2	Door with Zipper		1
3	Back Cover		1



SAFETY

ASSEMBLY

MAINTENANCE

Limited 90 Day Warranty

Harbor Freight Tools Co. makes every effort to assure that its products meet high quality and durability standards, and warrants to the original purchaser that this product is free from defects in materials and workmanship for the period of 90 days from the date of purchase. This warranty does not apply to damage due directly or indirectly, to misuse, abuse, negligence or accidents, repairs or alterations outside our facilities, criminal activity, improper installation, normal wear and tear, or to lack of maintenance. We shall in no event be liable for death, injuries to persons or property, or for incidental, contingent, special or consequential damages arising from the use of our product. Some states do not allow the exclusion or limitation of incidental or consequential damages, so the above limitation of exclusion may not apply to you. THIS WARRANTY IS EXPRESSLY IN LIEU OF ALL OTHER WARRANTIES, EXPRESS OR IMPLIED, INCLUDING THE WARRANTIES OF MERCHANTABILITY AND FITNESS.

To take advantage of this warranty, the product or part must be returned to us with transportation charges prepaid. Proof of purchase date and an explanation of the complaint must accompany the merchandise. If our inspection verifies the defect, we will either repair or replace the product at our election or we may elect to refund the purchase price if we cannot readily and quickly provide you with a replacement. We will return repaired products at our expense, but if we determine there is no defect, or that the defect resulted from causes not within the scope of our warranty, then you must bear the cost of returning the product.

This warranty gives you specific legal rights and you may also have other rights which vary from state to state.



26677 Agoura Road • Calabasas, CA 91302 • 1-888-866-5797