

BADLAND®

ZXR 12000

Quick Start Guide

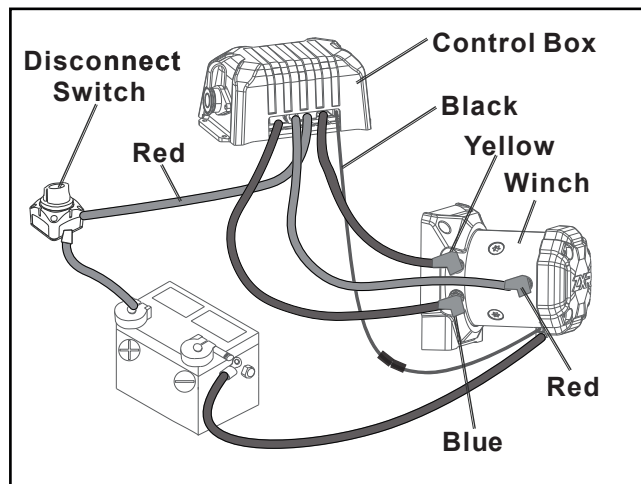
59407

Install the Winch using hardware specified on the specification chart. Tighten fasteners to the following torque values:

Winch Mounting Fasteners	30-33 ft-lb.
---------------------------------	---------------------

Install the Fairlead using hardware specified on the specification chart. Tighten fasteners to the following torque values:

Fairlead Mounting Fasteners	53-57 ft-lb
------------------------------------	--------------------



Tighten all power cable hardware to **20 in-lb. (2.2Nm)**.