

# BADLAND ZXR9500

## Quick Start Guide

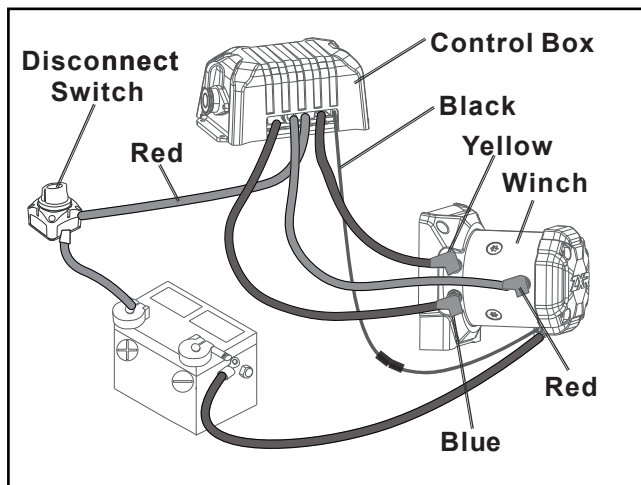
59408

Install the Winch using hardware specified on the specification chart. Tighten fasteners to the following torque values:

<b>Winch Mounting Fasteners</b>	<b>30-33 ft-lb.</b>
---------------------------------	---------------------

Install the Fairlead using hardware specified on the specification chart. Tighten fasteners to the following torque values:

<b>Fairlead Mounting Fasteners</b>	<b>53-57 ft-lb</b>
------------------------------------	--------------------



Tighten all power cable hardware to **20 in-lb. (2.2Nm)**.