

Owner's Manual & Safety Instructions

Save This Manual Keep this manual for the safety warnings and precautions, assembly, operating, inspection, maintenance and cleaning procedures. Write the product's serial number in the back of the manual near the assembly diagram (or month and year of purchase if product has no number). Keep this manual and the receipt in a safe and dry place for future reference.

21d

PITTSBURGH[®] AUTOMOTIVE

60234

800 LB. LOW LIFT TRANSMISSION JACK



Visit our website at: <http://www.harborfreight.com>
Email our technical support at: productsupport@harborfreight.com

When unpacking, make sure that the product is intact and undamaged. If any parts are missing or broken, please call 1-888-866-5797 as soon as possible.

Copyright© 2021 by Harbor Freight Tools®. All rights reserved.
No portion of this manual or any artwork contained herein may be reproduced in any shape or form without the express written consent of Harbor Freight Tools. Diagrams within this manual may not be drawn proportionally. Due to continuing improvements, actual product may differ slightly from the product described herein.
Tools required for assembly and service may not be included.






⚠ WARNING

Read this material before using this product.
Failure to do so can result in serious injury.
SAVE THIS MANUAL.

Specifications

Weight Capacity	800 lb.
Tilt	55° forward, 8° back, 30° side
Maximum Height	24-1/2"
Minimum Height	8-1/2"

WARNING SYMBOLS AND DEFINITIONS

	This is the safety alert symbol. It is used to alert you to potential personal injury hazards. Obey all safety messages that follow this symbol to avoid possible injury or death.
	Indicates a hazardous situation which, if not avoided, will result in death or serious injury.
	Indicates a hazardous situation which, if not avoided, could result in death or serious injury.
	Indicates a hazardous situation which, if not avoided, could result in minor or moderate injury.
	Addresses practices not related to personal injury.

IMPORTANT SAFETY INFORMATION

WARNING

Read all safety warnings and instructions.

Save all warnings and instructions for future reference.

Failure to heed these markings may result in personal injury and/or property damage:

1. Study, understand, and follow all instructions before operating this device.
2. Do not exceed 800 lb. rated capacity.
3. Use only on hard, level surfaces.
4. Adequately support the vehicle before starting repairs.
5. Use of this product is limited to the removal, installation, and transportation in the lowered position, of transmissions, transfer cases, and transaxles.
6. Do not adjust safety valve.
7. Wear ANSI-approved safety goggles and heavy-duty work gloves during use.
8. Keep clear of load while lifting and lowering.
9. Lower load slowly.
10. Do not use for aircraft purposes.
11. Inspect before every use; do not use if parts loose or damaged.
12. Do not alter the jack or use attachments and/or adapters that are not supplied by the manufacturer.
13. The warnings, precautions, and instructions discussed in this manual cannot cover all possible conditions and situations that may occur. The operator must understand that common sense and caution are factors, which cannot be built into this product, but must be supplied by the operator.



SAVE THESE INSTRUCTIONS.

Setup



Read the **ENTIRE IMPORTANT SAFETY INFORMATION** section at the beginning of this manual including all text under subheadings therein before set up or use of this product.

WARNING

TO PREVENT SERIOUS INJURY:

Remove load from the jack before any procedure on this page.

Note: For additional information regarding the parts listed in the following pages, refer to *Parts List and Diagram* on page 7.

Assembly

1. Connect a Support (22) to each corner of the Saddle (21) using a Bolt (24) and Washer (23).
2. Use Bolt (25), Washer (26), and Nut (27) to attach the Chain (28) to the hole on the bracket on the Saddle, as shown.

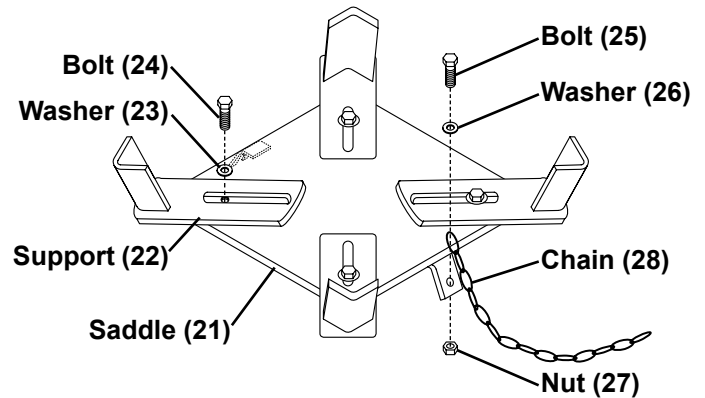


Figure A: Assembly

Checking/Filling Hydraulic Fluid

IMPORTANT! Before first use:

1. Remove the Oil Fill Plug.
2. Check hydraulic oil level and fill to 1/4" below the fill port as needed.
3. Replace the Oil Fill Plug.
4. Thoroughly test the Jack for proper operation. If it does not work properly, bleed air from its hydraulic system as described in Bleeding, below.

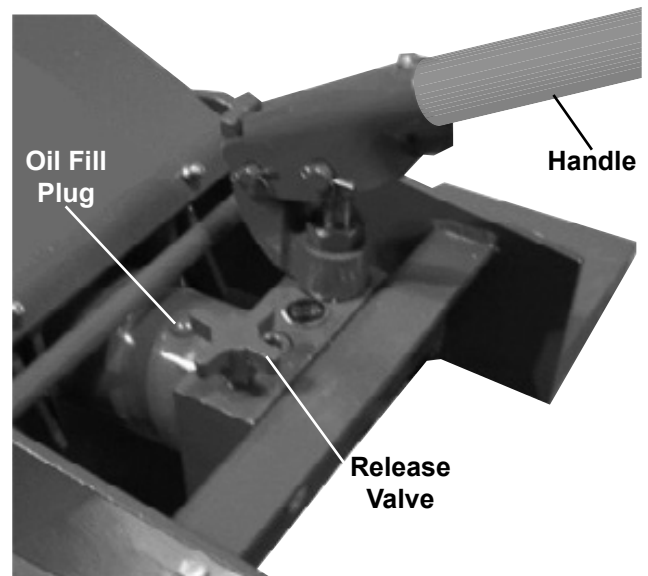
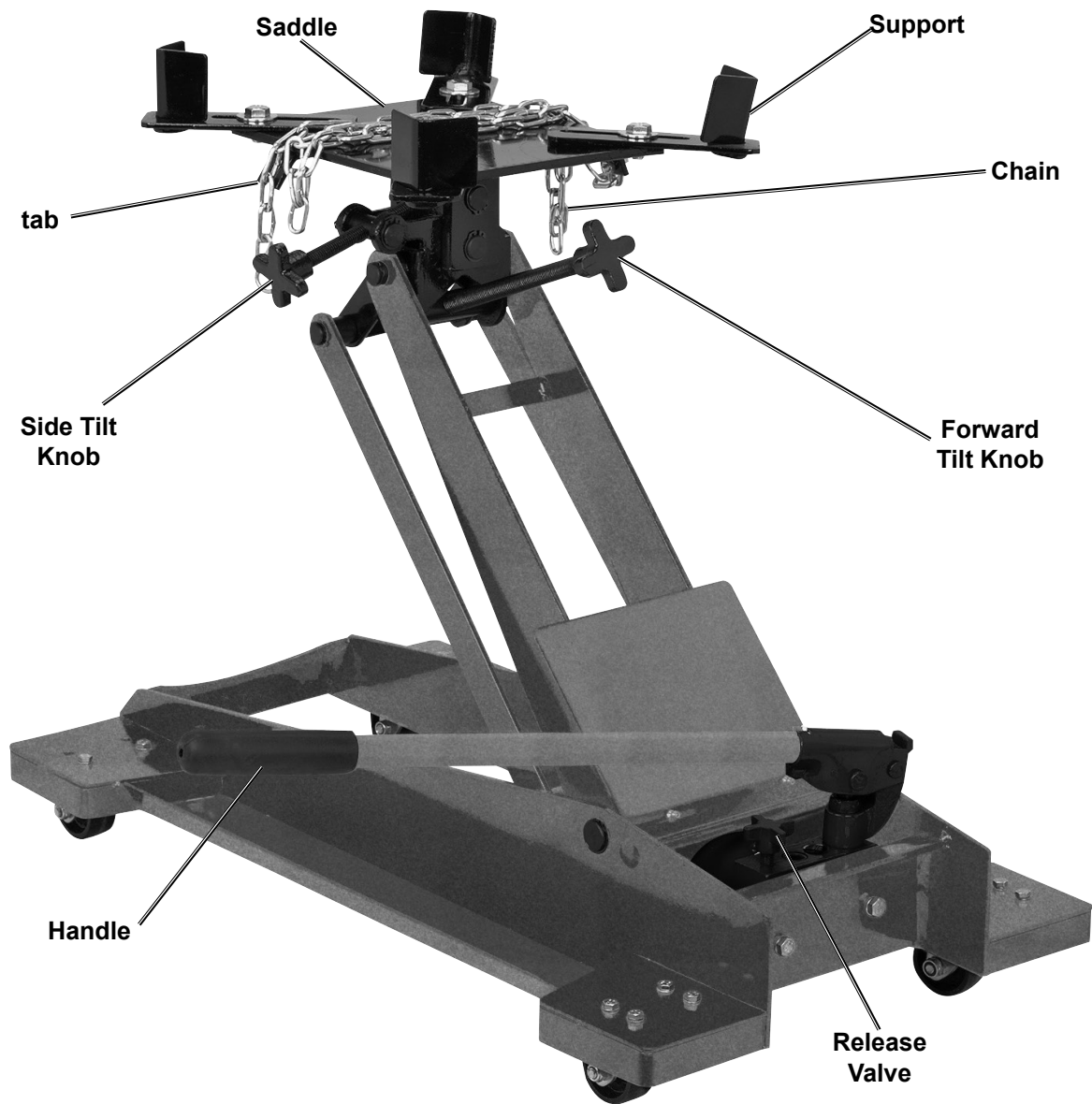


Figure B: Hydraulic Fluid Service Parts

Bleeding

1. Follow the Checking/Filling Hydraulic Fluid instructions above.
2. Turn the Release Valve counterclockwise to open it.
3. Pump the Handle up and down quickly several times to purge air from the system.
4. Check hydraulic oil level and fill to 1/4" below the fill port as needed.
5. Replace the Oil Fill Plug and close the Release Valve by turning it clockwise.

Functions



PITTSBURGH AUTOMOTIVE



Read **ENTIRE IMPORTANT SAFETY INFORMATION** section at beginning of this manual including all text under subheadings therein before set up or use of this product.

Removing a Transmission

1. Before every use, check and/or fill Hydraulic Fluid.
2. Once the vehicle is raised and secured on a lift, clear the area underneath the vehicle of people and tools.
3. Disconnect one end of the Chain and allow it to hang down.
4. Move the Transmission Jack underneath the transmission.
5. Close the Release Valve.
6. Pump the Handle to raise the Transmission Jack.
7. Stop just below the transmission and align the Saddle to the Transmission with the Tilt Knobs.
8. Continue raising the Saddle up to the transmission to determine where you will need to adjust the Supports. All four Supports need to grip and make contact with the transmission.
9. After determining where they need to be set, loosen the threaded bolts on each Support, and adjust it to the proper setting for the transmission. Tighten the bolts.
10. Raise the unit again to make contact with the transmission, making sure all of the Supports are in firm contact.
11. Wrap the Chain securely around the transmission, and hook the Chain to the bracket on the other side of the saddle.
12. Once it is securely fastened, release the bolts holding the transmission in place.
13. Make sure the area is clear of people and tools, and verify that the transmission is securely held in place. Then, slowly open the Release Valve to lower the Transmission Jack.
14. Move the Transmission Jack from under the vehicle and perform your desired maintenance.

Replacing a Transmission

1. Move the Transmission Jack so that the transmission is lined up properly with its connection points.
2. Close the Release Valve.
3. Pump the Handle to gradually raise the Transmission Jack, while guiding it into place.
4. Secure the transmission into place using its hardware.
5. Double-check to make sure the transmission is securely installed.
6. Disconnect one end of the Chain and allow it to hang down.
7. Clear the area near the Transmission Jack, and slowly open the Release Valve to lower the Jack.
8. Move the Transmission Jack clear of the vehicle.

PITTSBURGH ® **AUTOMOTIVE**

Maintenance and Servicing



Procedures not specifically explained in this manual must be performed only by a qualified technician.

WARNING

TO PREVENT SERIOUS INJURY FROM TOOL FAILURE:

Do not use damaged equipment. If abnormal noise or vibration occurs, have the problem corrected before further use.

1. **BEFORE EACH USE**, inspect the general condition of the equipment. Check for:
 - loose hardware,
 - misalignment or binding of moving parts,
 - visibly leaking hydraulic fluid,
 - cracked or broken parts, and
 - any other condition that may affect its safe operation.
2. **Before each use and after the inspection, thoroughly test the Jack for proper operation prior to its actual use. If the Jack appears *not* to be working properly, follow *Bleeding* instructions on page 3.**
3. Periodically, inject grease into the Zerk fitting on the main platform of the Transmission Jack.
4. **Change the hydraulic oil at least once every three years:**
 - a. With the Jack fully lowered, remove the Oil Filler Plug on the side of the Housing.
 - b. Tip the Jack to allow the old hydraulic oil to drain out of the Housing completely, and dispose of the old hydraulic oil in accordance with local regulations.
 - c. With the Jack upright, completely fill the Housing with a high quality hydraulic oil (not included) until the oil just begins to run out of the Oil Fill Hole.
 - d. Open the Release Valve and pump the Handle to bleed air from the system.
 - e. Reinstall the Oil Filler Plug.
5. Wipe dry with a clean cloth. Then, store the Jack in a safe, dry location out of reach of children and other non-authorized people.

Troubleshooting

WARNING

TO PREVENT SERIOUS INJURY: Use caution when troubleshooting malfunctioning jack.

Stay clear of supported load. Completely resolve all problems before use.

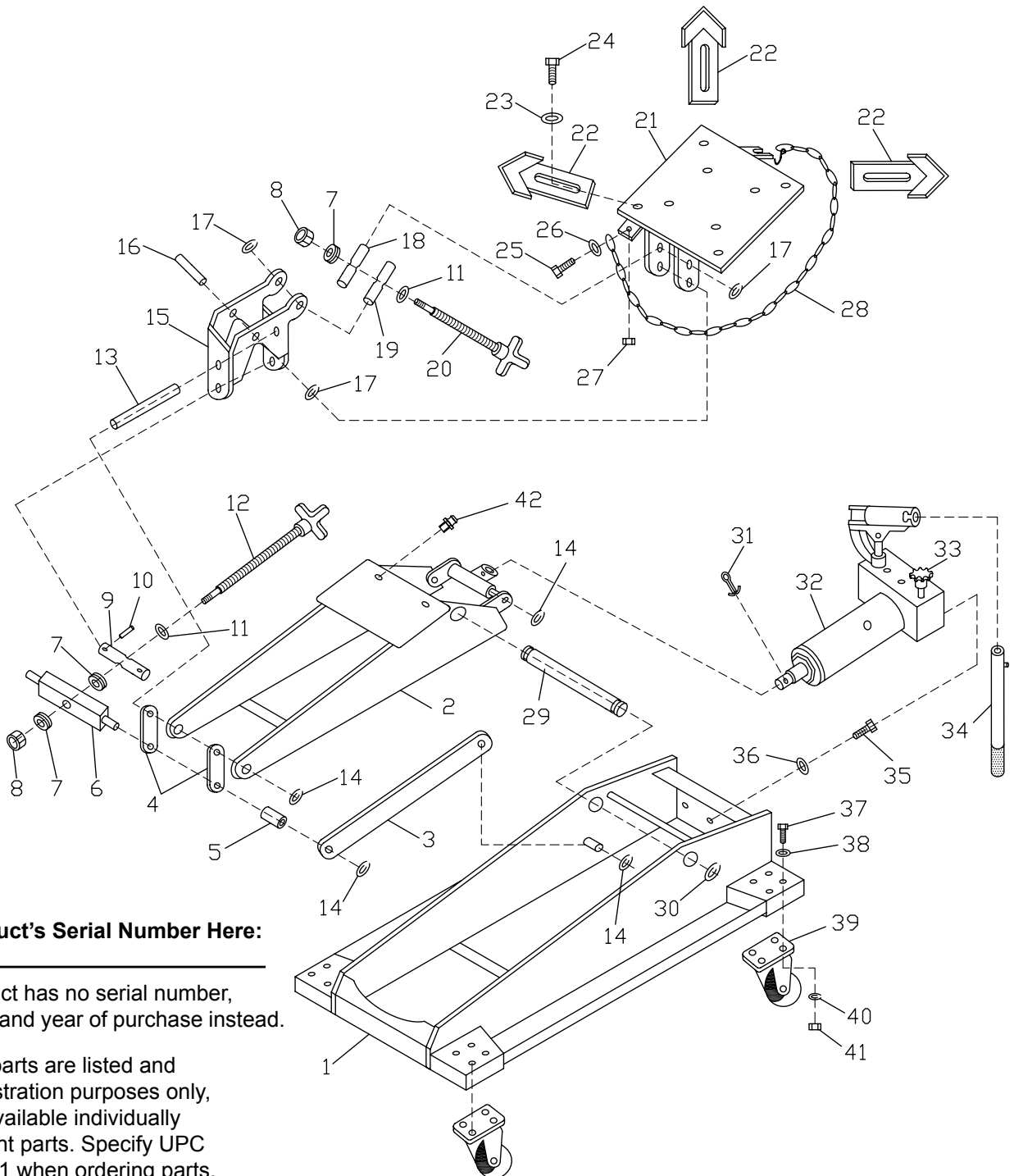
If solutions presented in Troubleshooting guide do not solve the problem, have a qualified technician inspect and repair jack before use. **After jack is repaired: Test it carefully without a load by raising and lowering it fully, checking for proper operation, BEFORE RETURNING JACK TO OPERATION.**

DO NOT USE A DAMAGED OR MALFUNCTIONING JACK!

POSSIBLE SYMPTOMS						PROBABLE SOLUTION (Make certain that the Jack is not supporting a load while attempting a solution.)
Jack will not lift at its weight capacity	Saddle lowers under load	Pump stroke feels spongy	Saddle will not lift all the way	Handle moves up when Jack is under load	Oil leaking from Filler Plug	
X	X					Check that Release Valve is closed fully. Bleed air from the system.
X	X			X		Valves may be blocked and may not close fully. To flush the valves: 1. Lower the Saddle and securely close the Release Valve. 2. Manually lift the Saddle several inches. 3. Open the release valve and force the Saddle down as quickly as possible.
X		X	X			Jack may be low on oil. Check the oil level and refill if needed. Jack may require bleeding - see instructions on page 3.
					X	Unit may have too much hydraulic oil inside, check fluid level and adjust if needed.

Parts List and Diagram

Part	Description	Qty	Part	Description	Qty	Part	Description	Qty
1	Base	1	15	Bracket	1	29	Shaft	1
2	Lifting Arm	1	16	Shaft	1	30	Retaining Ring 22	2
3	Long Connecting Bar	2	17	Retaining Ring 18	6	31	Split Pin 4*50	1
4	Short Connecting Bar	2	18	Shaft	1	32	Hydraulic Assembly	1
5	Bushing	2	19	Shaft	1	33	Release Valve	1
6	Square Shaft	1	20	Side Tilt Knob	1	34	Handle	1
7	Bearing	3	21	Saddle	1	35	Bolt M8x20	2
8	Lock Nut M10	2	22	Support	4	36	Spring Washer 8	2
9	Shaft	1	23	Large Washer 10	4	37	Bolt M6*14	16
10	Spring Pin	2	24	Bolt M10x20	4	38	Flat Washer 6	16
11	Flat Washer 10	2	25	Bolt M6x20	1	39	2" Swivel Caster	4
12	Forward Tilt Knob	1	26	Flat Washer 6	1	40	Spring Washer 6	16
13	Shaft	1	27	Nut M6	1	41	Nut M6	16
14	Retaining Ring 16	8	28	Chain	1	42	Zerk Fitting	2



Record Product's Serial Number Here:

Note: If product has no serial number, record month and year of purchase instead.

Note: Some parts are listed and shown for illustration purposes only, and are not available individually as replacement parts. Specify UPC 792363602341 when ordering parts.

PLEASE READ THE FOLLOWING CAREFULLY

THE MANUFACTURER AND/OR DISTRIBUTOR HAS PROVIDED THE PARTS LIST AND ASSEMBLY DIAGRAM IN THIS MANUAL AS A REFERENCE TOOL ONLY. NEITHER THE MANUFACTURER OR DISTRIBUTOR MAKES ANY REPRESENTATION OR WARRANTY OF ANY KIND TO THE BUYER THAT HE OR SHE IS QUALIFIED TO MAKE ANY REPAIRS TO THE PRODUCT, OR THAT HE OR SHE IS QUALIFIED TO REPLACE ANY PARTS OF THE PRODUCT. IN FACT, THE MANUFACTURER AND/OR DISTRIBUTOR EXPRESSLY STATES THAT ALL REPAIRS AND PARTS REPLACEMENTS SHOULD BE UNDERTAKEN BY CERTIFIED AND LICENSED TECHNICIANS, AND NOT BY THE BUYER. THE BUYER ASSUMES ALL RISK AND LIABILITY ARISING OUT OF HIS OR HER REPAIRS TO THE ORIGINAL PRODUCT OR REPLACEMENT PARTS THERETO, OR ARISING OUT OF HIS OR HER INSTALLATION OF REPLACEMENT PARTS THERETO.

Limited 90 Day Warranty

Harbor Freight Tools Co. makes every effort to assure that its products meet high quality and durability standards, and warrants to the original purchaser that this product is free from defects in materials and workmanship for the period of 90 days from the date of purchase. This warranty does not apply to damage due directly or indirectly, to misuse, abuse, negligence or accidents, repairs or alterations outside our facilities, criminal activity, improper installation, normal wear and tear, or to lack of maintenance. We shall in no event be liable for death, injuries to persons or property, or for incidental, contingent, special or consequential damages arising from the use of our product. Some states do not allow the exclusion or limitation of incidental or consequential damages, so the above limitation of exclusion may not apply to you. THIS WARRANTY IS EXPRESSLY IN LIEU OF ALL OTHER WARRANTIES, EXPRESS OR IMPLIED, INCLUDING THE WARRANTIES OF MERCHANTABILITY AND FITNESS.

To take advantage of this warranty, the product or part must be returned to us with transportation charges prepaid. Proof of purchase date and an explanation of the complaint must accompany the merchandise. If our inspection verifies the defect, we will either repair or replace the product at our election or we may elect to refund the purchase price if we cannot readily and quickly provide you with a replacement. We will return repaired products at our expense, but if we determine there is no defect, or that the defect resulted from causes not within the scope of our warranty, then you must bear the cost of returning the product.

This warranty gives you specific legal rights and you may also have other rights which vary from state to state.

PITTSBURGH[®] AUTOMOTIVE

26541 Agoura Road • Calabasas, CA 91302 • 1-888-866-5797