

Owner's Manual & Safety Instructions

Save This Manual Keep this manual for the safety warnings and precautions, assembly, operating, inspection, maintenance and cleaning procedures. Write the product's serial number in the back of the manual near the assembly diagram (or month and year of purchase if product has no number). Keep this manual and the receipt in a safe and dry place for future reference.

REV 16c

HaulMaster[®]

1200 LB. CAPACITY

Aluminum Loading

RAMP



Visit our website at: <http://www.harborfreight.com>
Email our technical support at: productsupport@harborfreight.com

ITEMS 60333 94057

When unpacking, make sure that the product is intact and undamaged. If any parts are missing or broken, please call 1-888-866-5797 as soon as possible.

Copyright © 2012 by Harbor Freight Tools[®]. All rights reserved.

No portion of this manual or any artwork contained herein may be reproduced in any shape or form without the express written consent of Harbor Freight Tools. Diagrams within this manual may not be drawn proportionally. Due to continuing improvements, actual product may differ slightly from the product described herein. Tools required for assembly and service may not be included.

⚠ WARNING

**Read this material before using this product.
Failure to do so can result in serious injury.
SAVE THIS MANUAL.**

Specifications

Capacity	1,200 lb., evenly distributed (Static Conditions)*
Max. Tailgate Height	36"
Dimensions	72" L x 30" W x 2- ¹³ / ₁₆ " H

Important Safety Information

1. **Before use:**
 - a. Read and understand manual.
 - b. Inspect before every use; do not use if parts loose or damaged.
 - c. Turn vehicle's ignition OFF and set parking brake.
 - d. Clean dirt, oil and debris off Ramp and allow Ramp to dry.
 - e. Unfold Ramp completely.
 - f. Set up only on solid, level, dry surface.
 - g. Turn Ramp so flange end faces downward. Position Ramp so that tongues fully contact tailgate.
 - h. Properly connect safety chains (not included).
2. **Load and unload vehicle slowly. Do not ride vehicle up or down Ramp.**
3. Do not exceed 1,200 lb. capacity, evenly distributed.
Be aware of dynamic loading!
Sudden load movement may briefly create excess load causing product failure.
4. Use safety chains as intended only.
5. Use as intended only. Do not use:
 - a. as ladder,
 - b. if tailgate on carrying vehicle is higher than 36", or
 - c. to load vehicle with wheel width wider than Ramp.
6. Ground contact. Use your Ramp on a solid, level, flat, dry surface. Make sure the Tongue edge fully contacts the tailgate of the vehicle.
7. **Clean Ramp.** Prior to each use, clean dirt, oil, or any debris off Ramp.
8. **This product is not a toy.** Do not allow children to play with or near this item.
9. Maintain product labels and nameplates. These carry important safety information. If unreadable or missing, contact Harbor Freight Tools for a replacement.
10. **All persons not involved in the loading process must stand clear of the loading Ramp. Keep children away.** Children must not be allowed in the work area.
11. Do not exceed tailgate weight capacity.
12. **Avoid working alone.** If an accident happens, an assistant can bring help.

13. **Keep work area clean and well lit.**
Cluttered and dark areas invite injuries.
14. **Store idle equipment.**
When not in use, store Ramp in a dry location to inhibit rust.
15. **Dress properly.** Do not wear loose clothing or jewelry. Protective clothes and nonskid footwear are recommended when working. Wear restrictive hair covering to contain long hair.
16. **Wear ANSI-approved impact safety goggles, a safety helmet, and heavy-duty work gloves when loading, unloading or handling Ramp.**
17. Keep proper footing and balance when loading or unloading.
18. Do not modify this product.
19. **Stay alert.** Watch what you are doing, use common sense. Do not use any Ramp when you are tired.
20. **Check for damaged parts.**
Before using any Ramp, any part that appears damaged should be carefully checked to determine that it will perform its intended function. Check for any broken parts or mounting fixtures and any other condition that may affect proper operation. Any part that is damaged should be properly repaired or replaced by a qualified technician.
21. **Replacement parts and accessories.** When servicing, use only identical replacement parts. Use of any other parts will void the warranty. Only use accessories intended for use with this Ramp.
22. **Do not use Ramp if under the influence of alcohol or drugs.**
Read warning labels on prescriptions to determine if your judgment or reflexes are impaired while taking drugs. If there is any doubt, do not use the Ramp.
23. The warnings, cautions, and instructions discussed in this instruction manual cannot cover all possible conditions and situations that may occur. It must be understood by the operator that common sense and caution are factors which cannot be built into this product, but must be supplied by the operator.



SAVE THESE INSTRUCTIONS.



Setup and Operation Instructions



Read the **ENTIRE IMPORTANT SAFETY INFORMATION** section at the beginning of this manual including all text under subheadings therein before set up or use of this product.

⚠️ WARNING

TO PREVENT SERIOUS INJURY:

Before loading or unloading turn vehicle's engine off, set its transmission in gear or park, engage its emergency brake and block its wheels. Make sure the Ramp is clean and dry before loading or unloading.

Setup

1. The tailgate the Ramp will sit on and the Ramp must be dry and clean. Check for and tighten any loose hardware.
2. Sit the tongue (angled lip) of the Ramp on the tailgate. The Tongue Edge must face down and fully contact the truck's tailgate. Extend the Safety Chain on each side of the Ramp up into the inside of the truck bed; attach each Safety Chain to a secure attachment point on the truck chassis.

WARNING! CONNECT SAFETY CHAINS TO SECURE ATTACHMENT POINTS WITHIN THE TRUCK BED ABLE TO WITHSTAND THE PULLING FORCE OF LOADING. THEY MUST ALSO BE TAUT ENOUGH TO PREVENT THE RAMP FROM COMING OFF THE VEHICLE BEING LOADED.

3. Pull the loading Ramp back until the chains are tight. The entire tongue portion of the Ramp must fit onto the tailgate; if not, adjust the Safety Chains accordingly, or shorter chains must be used.

Chain Adjustment

1. Remove the bolt and washer that hold the safety chain to the Ramp.
2. Reinsert the bolt through a link that will shorten the chain so the loading Ramp can not be pulled backwards more than an inch or two.
3. Make sure the washer prevents the bolt from slipping through the chain link and tighten the bolt securely.
4. Adjust the other chain to equal length.



4- Wheel ATV Loading and Unloading

⚠WARNING

- This Ramp is for use with 2-wheeled dirt bikes and 4-wheeled ATV's only.
- Do not use this Ramp to load or unload any vehicle that weighs more than 1200 lb.
- Do not use this Ramp to load or unload any vehicle that is wider than the Ramp.
- Do not use this Ramp to load or unload any vehicle that is carrying gear on its racks.
- Do not use this Ramp if the tailgate on the vehicle being loaded or unloaded is higher than half each Ramp's length (36").

WARNING! Riding an ATV while loading or unloading is dangerous and should not be attempted.

WARNING! Be aware of dynamic loading!

Sudden load movement may briefly create excess load causing the Ramp to fail.

WARNING! All persons not involved in the process must stand clear of the Ramp and truck. Make sure no pets are nearby.

Loading Using a Winch (not included)

1. The winch and mounting/connection points must all have appropriate capacity to pull the ATV up the Ramp safely.
2. ATV Mounted Winch Setup: Unwind cable from the winch and attach it to a secure mounting location on the truck, at the same height as the winch will be after the ATV has been loaded.
3. Truck Mounted Winch Setup: Attach the cable to the bottom front part of the frame.
4. While operating the winch, stand back and to the side of the ATV, with the vehicle between you and the winch cable.
5. Operate the winch to slowly load the ATV onto the vehicle.

Unloading

WARNING! Riding an ATV while unloading is dangerous and should not be attempted.

1. Have an assistant monitor the Ramp tongues for slippage on the tailgate.
2. Setup the Ramp on the truck bed as explained under operation. Remove all tie down straps and securing equipment from the ATV.
3. While staying off the ATV, start the engine, disengage the parking brake, put the transmission into reverse, and make sure the wheels are in a straight line with the Ramp. While holding the brake, position yourself in front of the ATV.
4. Release the brake and push on the ATV to get it started down the Ramp. Allow the ATV to roll down naturally, do not attempt to steer it or apply the brakes. If it stops while on the Ramp, gently give it throttle to back it off the Ramp.

WARNING! Be sure the 4-wheel ATV is centered on Ramp.

2-Wheel Bike Loading

1. Do not attempt to load any dirt bike or other 2-wheel motor bike alone. Have a qualified adult assist.
 2. Line up the 2-wheel bike with one of the Ramp.
 3. With one person pushing the bike slowly up the Ramp, a helper should be in the bed of the hauling vehicle both to guide and to apply the brake if it is necessary to stop the bike while it is on the Ramp. Have one person with a hand on the bike hand brake for safety.
 4. Once the person inside the truck bed has hold of the handle bars, apply the brake and steady the bike while the other person moves behind the bike (but off to one side) and pushes it all the way into the truck bed.
- NOTE:** While most dirt bikes are light enough to safely load with two people, a third person can make the job easier and safer.
5. Once the bike is safely loaded, secure it with four tie down straps (not included), one on each side of the front, and one on each side at the rear of the bike.

2-Wheel Bike Unloading

1. Position the Ramp against the truck tailgate behind the rear tire of the bike and attach the Safety Chain to the truck bed.
2. Remove the tie-down straps (not included).
3. Slowly and carefully while using an assistant, push the bike backwards until the back tire is at the top of the Ramp. With one person on the ground behind and to the side of the Ramp, slowly push the bike onto the Ramp. Someone must always hold the hand brake.
4. Slowly work the bike down the Ramp and onto the ground.



Maintenance and Servicing



Procedures not specifically explained in this manual must be performed only by a qualified technician.

⚠ WARNING

TO PREVENT SERIOUS INJURY:

Remove the Ramp from the vehicle before performing any maintenance or service.

Do not use damaged equipment.

If Ramp is damaged, have the problem corrected before further use.

Cleaning, Maintenance, and Lubrication

1. **BEFORE EACH USE,** inspect the general condition of the Ramp. Check for:
 - loose hardware,
 - misalignment or binding of parts,
 - cracked or broken parts, and
 - any other condition that may affect its safe operation.
2. Clean the Ramp after each use. Make sure any dirt, oil, grease, or debris are not on the Ramp.

PLEASE READ THE FOLLOWING CAREFULLY

THE MANUFACTURER AND/OR DISTRIBUTOR HAS PROVIDED THE PARTS LIST AND ASSEMBLY DIAGRAM IN THIS MANUAL AS A REFERENCE TOOL ONLY. NEITHER THE MANUFACTURER OR DISTRIBUTOR MAKES ANY REPRESENTATION OR WARRANTY OF ANY KIND TO THE BUYER THAT HE OR SHE IS QUALIFIED TO MAKE ANY REPAIRS TO THE PRODUCT, OR THAT HE OR SHE IS QUALIFIED TO REPLACE ANY PARTS OF THE PRODUCT. IN FACT, THE MANUFACTURER AND/OR DISTRIBUTOR EXPRESSLY STATES THAT ALL REPAIRS AND PARTS REPLACEMENTS SHOULD BE UNDERTAKEN BY CERTIFIED AND LICENSED TECHNICIANS, AND NOT BY THE BUYER. THE BUYER ASSUMES ALL RISK AND LIABILITY ARISING OUT OF HIS OR HER REPAIRS TO THE ORIGINAL PRODUCT OR REPLACEMENT PARTS THERETO, OR ARISING OUT OF HIS OR HER INSTALLATION OF REPLACEMENT PARTS THERETO.

Parts List and Diagram

Parts List

Part	Description	Qty.
1	Left Ramp	1
2	Right Ramp	1
3	Hinge	6
4	Bolt	3
5	Lock Nut M6	3

Part	Description	Qty.
6	Bolt M6 x 25	6
7	Lock Nut M6	8
8	Bolt M6 x 40	2
9	Chain	2

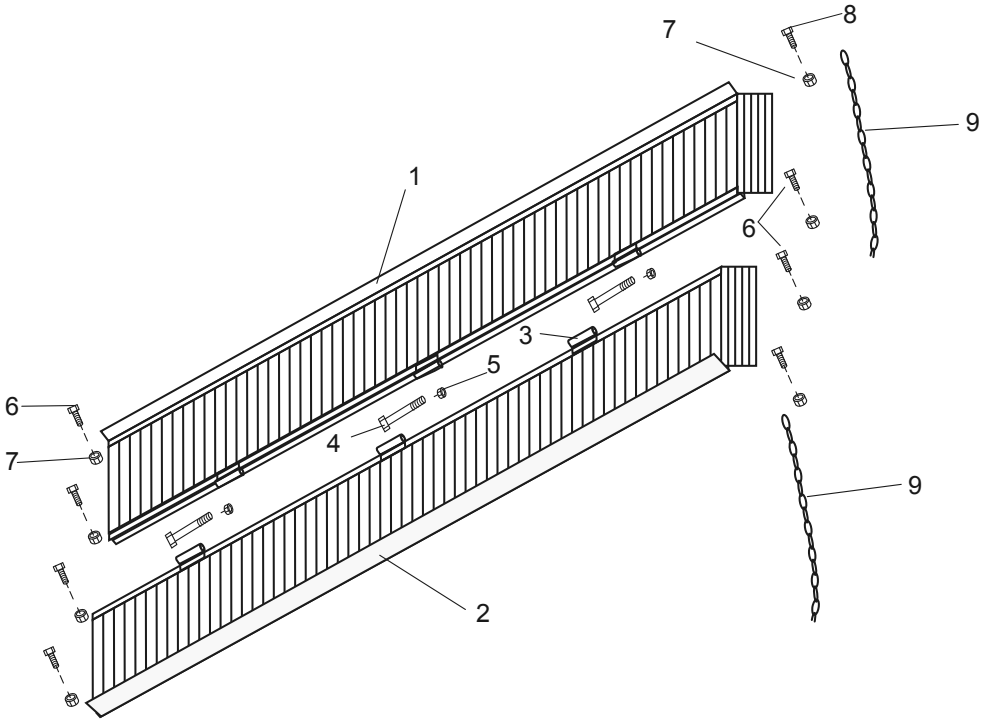
Record Product's Serial Number Here: _____

Note: If product has no serial number, record month and year of purchase instead.

Note: Some parts are listed and shown for illustration purposes only, and are not available individually as replacement parts.



Assembly Diagram



Limited 90 Day Warranty

Harbor Freight Tools Co. makes every effort to assure that its products meet high quality and durability standards, and warrants to the original purchaser that this product is free from defects in materials and workmanship for the period of 90 days from the date of purchase. This warranty does not apply to damage due directly or indirectly, to misuse, abuse, negligence or accidents, repairs or alterations outside our facilities, criminal activity, improper installation, normal wear and tear, or to lack of maintenance. We shall in no event be liable for death, injuries to persons or property, or for incidental, contingent, special or consequential damages arising from the use of our product. Some states do not allow the exclusion or limitation of incidental or consequential damages, so the above limitation of exclusion may not apply to you. THIS WARRANTY IS EXPRESSLY IN LIEU OF ALL OTHER WARRANTIES, EXPRESS OR IMPLIED, INCLUDING THE WARRANTIES OF MERCHANTABILITY AND FITNESS.

To take advantage of this warranty, the product or part must be returned to us with transportation charges prepaid. Proof of purchase date and an explanation of the complaint must accompany the merchandise. If our inspection verifies the defect, we will either repair or replace the product at our election or we may elect to refund the purchase price if we cannot readily and quickly provide you with a replacement. We will return repaired products at our expense, but if we determine there is no defect, or that the defect resulted from causes not within the scope of our warranty, then you must bear the cost of returning the product.

This warranty gives you specific legal rights and you may also have other rights which vary from state to state.

