

Owner's Manual & Safety Instructions

Save This Manual Keep this manual for the safety warnings and precautions, assembly, operating, inspection, maintenance and cleaning procedures. Write the product's serial number in the back of the manual near the assembly diagram (or month and year of purchase if product has no number). Keep this manual and the receipt in a safe and dry place for future reference.

21d

BIGFOOT PANEL WAGON



60570

Visit our website at: <http://www.harborfreight.com>
Email our technical support at: productsupport@harborfreight.com

When unpacking, make sure that the product is intact and undamaged. If any parts are missing or broken, please call 1-888-866-5797 as soon as possible.

Copyright© 2021 by Harbor Freight Tools®. All rights reserved.
No portion of this manual or any artwork contained herein may be reproduced in any shape or form without the express written consent of Harbor Freight Tools. Diagrams within this manual may not be drawn proportionally. Due to continuing improvements, actual product may differ slightly from the product described herein.
Tools required for assembly and service may not be included.

⚠ WARNING

Read this material before using this product.
Failure to do so can result in serious injury.
SAVE THIS MANUAL.

Specifications

Tires	10" Pneumatic
Age Range	5 and up
Weight Capacity	330 lb.
Deck Size	33-5/8" x 15-3/4" x 5-1/2"
Inside Dimensions	31-7/8" x 13-3/4" x 4"
Replacement Wheels	Harbor Freight Item 30900

IMPORTANT SAFETY INFORMATION

⚠️WARNING

Read all safety warnings and instructions.

Failure to follow the warnings and instructions may result in serious injury.

Save all warnings and instructions for future reference.

- AGES 5 AND UP ONLY.**
Do not allow younger children to use.
- WEAR PROPER SAFETY HELMET AND COMPLETE SAFETY GEAR WHEN RIDING.**
Responsible adult must supervise during use.
Use as intended only.
Rider must stay seated at all times during use.
Do not allow more than one child to play with tricycle at once.
- Do not use in unstable or dangerous area.
Tipping over can cause injury.
Do not use in areas where vehicles may be present, such as parking areas, driveways, or roads.
- Wear ANSI-approved safety goggles and work gloves during assembly.
- Read manual before assembly and/or use.
- Do not exceed 330 lb. capacity.
- Inspect before every use;
do not use if parts loose or damaged.
Check and tighten hardware periodically.
- Assemble completely according to instructions before allowing a child to play with this product.

Assembly

Note: For additional information regarding the parts listed in the following pages, refer to the Assembly Diagram on facing page.

Note: Do not overtighten hardware.

- With the Tray (A) upside down so the bottom is facing upward, place it over saw horses or sturdy cartons.
- Attach the Rear Axle Assembly (H) to the Tray (A) using two 1/2" Bolts. Line up the Rear Axle Assembly with the holes located at the very back of the Wagon. Insert the Bolt so that the small washers, small lock washers and cap nuts are screwed on from the underside of the wagon.
- Slide each of the Rear Axle Braces (I) over the end of each Rear Axle until they sit firmly to the inside of the Rear Axle Assembly (H). Line up the end of the Braces with the holes in the wagon. Using two 1/2" Bolts, insert the bolts from the top of the wagon so that the small washers, lock washers and the nut are secured on the underside of the wagon.
- Attach the Turntable (D) to the Steering Assembly (J). Attach the Steering Assembly to the Turntable using the 1-1/8" Bolt with Hole. Slide the Bolt through the underside of the Steering Assembly (J) and into the Turntable (D). Secure it from inside the Turntable with the 7/8" Washer, the Large Lock Washer and the nut. Loosely thread the nut onto the Bolt. Insert the Cotter Pin through the hole and spread it open.
- Attach both parts (now one assembled unit as shown in Step 4) – the Steering Assembly (J) and the Turntable (D), to the Tray (A). Insert each of the four 1/2" Bolts from the top of the wagon and tighten it into place from the bottom of the Tray with four (4) small washers, four small lock washers and four nuts.

6. Slide each of the four Wheels (C) onto an axle with the Air Valve facing out. Slide one 1-1/4" Washer onto each axle.
7. Attach each of the four Axle Caps to the Axles.
8. Insert the lower part of the Handle (B) into the Steering Assembly (J). Slide the 2-5/8" Bolt into the Assembly and through the Handle so that it exits the other side of the Assembly. Tighten the Bolt into place with a Small Washer and Nut Cap.
9. Turn the Wagon upright. Attach **one (1)** of the Long Side Panels (E) to the wagon with the three 1-3/4" Bolts going through both the Tray and each vertical slat. The top of the Bolts should be on the inside of the Tray. Tighten each into place with a washer then a Nut Cap.

Note: The Short Front Panel (G) is the one with a downward curved front slat.

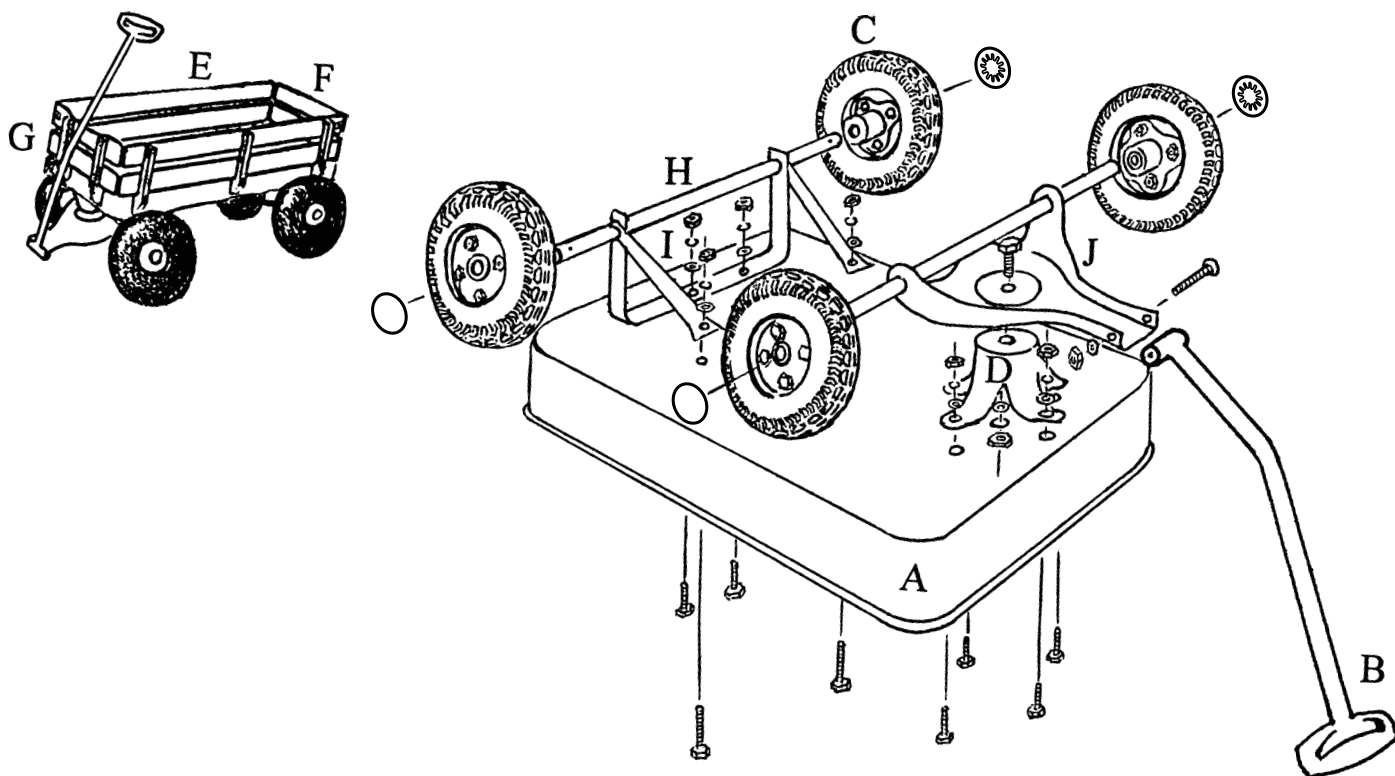
10. Attach the Short Rear Panel (F) to the wagon with two 1-3/4" Bolts going through the Tray (A) and each vertical slat. Tighten into place by sliding on the washer followed by the Nut Cap.
11. Attach the second Long Side Panel (E) as in step 9. Attach the Short Front Panel (G) with two 1-3/4" Bolts. Tighten into place with the Washer and Nut Cap as previously described.

Parts List and Diagram

Part	Description	Qty
A	Tray	1
B	Handle	1
C	Wheel	4
D	Turntable	1
E	Long Side Panel	2
F	Short Rear Panel	1
G	Short Front Panel	1
H	Rear Axle Assembly	1
I	Rear Axle Braces	2
J	Steering Assembly	1

Part	Description	Qty
K	Assembly Hardware set contains:	-
	1-3/4" M6 Round Head Bolt Set*	10
	2-5/8" M6 Round Head Bolt Set* (handle)	1
	1/2" M6 Bolt Set* (axle, steering yoke)	8
	Axle Washer	4
	Axle Caps	4
	1-1/8" Bolt with hole	1
	Bolt Cotter Pin	1
	7/8" Turntable Washer	1
	Turntable Lock Washer	1
	Turntable Nut	1

*Bolts include flat washer and nut.



Operation

Your Wagon has a long handle mounted at the front. Use the handle to pull the wagon to your destination, as well as transporting loads to and from your destination.

Turning the Handle (B) will cause the front wheels on the wagon to turn. Turn the Handle in the direction that you wish the wagon to go. The Handle can be raised for steering from inside the wagon, or lowered so that the wagon can be pulled from in front.

Maintenance

1. Periodically check tire inflation (maximum tire inflation is: 30 PSI for rear tires, 35 PSI for front tire).
2. Periodically lubricate wheel axles.
3. Check and tighten hardware periodically.

PLEASE READ THE FOLLOWING CAREFULLY

THE MANUFACTURER AND/OR DISTRIBUTOR HAS PROVIDED THE PARTS LIST AND ASSEMBLY DIAGRAM IN THIS DOCUMENT AS A REFERENCE TOOL ONLY. NEITHER THE MANUFACTURER OR DISTRIBUTOR MAKES ANY REPRESENTATION OR WARRANTY OF ANY KIND TO THE BUYER THAT HE OR SHE IS QUALIFIED TO MAKE ANY REPAIRS TO THE PRODUCT, OR THAT HE OR SHE IS QUALIFIED TO REPLACE ANY PARTS OF THE PRODUCT. IN FACT, THE MANUFACTURER AND/OR DISTRIBUTOR EXPRESSLY STATES THAT ALL REPAIRS AND PARTS REPLACEMENTS SHOULD BE UNDERTAKEN BY CERTIFIED AND LICENSED TECHNICIANS, AND NOT BY THE BUYER. THE BUYER ASSUMES ALL RISK AND LIABILITY ARISING OUT OF HIS OR HER REPAIRS TO THE ORIGINAL PRODUCT OR REPLACEMENT PARTS THERETO, OR ARISING OUT OF HIS OR HER INSTALLATION OF REPLACEMENT PARTS THERETO.

Record Product's Serial Number Here:

Note: If product has no serial number, record month and year of purchase instead.

Note: Some parts are listed and shown for illustration purposes only and are not available individually as replacement parts. Specify UPC 792363605700 when ordering parts.

Limited 90 Day Warranty

Harbor Freight Tools Co. makes every effort to assure that its products meet high quality and durability standards, and warrants to the original purchaser that this product is free from defects in materials and workmanship for the period of 90 days from the date of purchase. This warranty does not apply to damage due directly or indirectly, to misuse, abuse, negligence or accidents, repairs or alterations outside our facilities, criminal activity, improper installation, normal wear and tear, or to lack of maintenance. We shall in no event be liable for death, injuries to persons or property, or for incidental, contingent, special or consequential damages arising from the use of our product. Some states do not allow the exclusion or limitation of incidental or consequential damages, so the above limitation of exclusion may not apply to you. THIS WARRANTY IS EXPRESSLY IN LIEU OF ALL OTHER WARRANTIES, EXPRESS OR IMPLIED, INCLUDING THE WARRANTIES OF MERCHANTABILITY AND FITNESS.

To take advantage of this warranty, the product or part must be returned to us with transportation charges prepaid. Proof of purchase date and an explanation of the complaint must accompany the merchandise. If our inspection verifies the defect, we will either repair or replace the product at our election or we may elect to refund the purchase price if we cannot readily and quickly provide you with a replacement. We will return repaired products at our expense, but if we determine there is no defect, or that the defect resulted from causes not within the scope of our warranty, then you must bear the cost of returning the product.

This warranty gives you specific legal rights and you may also have other rights which vary from state to state.