

Owner's Manual & Safety Instructions

Save This Manual Keep this manual for the safety warnings and precautions, assembly, operating, inspection, maintenance and cleaning procedures. Write the product's serial number in the back of the manual near the assembly diagram (or month and year of purchase if product has no number). Keep this manual and the receipt in a safe and dry place for future reference.

ITEM 60623

HaulMaster[®]

TWO BIKE

HITCH MOUNT BIKE RACK



Visit our website at: <http://www.harborfreight.com>
Email our technical support at: tech@harborfreight.com

When unpacking, make sure that the product is intact and undamaged. If any parts are missing or broken, please call 1-800-444-3353 as soon as possible.

Copyright© 2013 by Harbor Freight Tools®. All rights reserved.
No portion of this manual or any artwork contained herein may be reproduced in any shape or form without the express written consent of Harbor Freight Tools. Diagrams within this manual may not be drawn proportionally. Due to continuing improvements, actual product may differ slightly from the product described herein.
Tools required for assembly and service may not be included.

⚠ WARNING

**Read this material before using this product.
Failure to do so can result in serious injury.
SAVE THIS MANUAL.**

Specifications

Maximum Weight Capacity	100 lb.
Bike Capacity	2
Holding Mechanism	Bike Clamps, Hook & Loop Straps
Compatible Hitch Classes	Class I, II, III, IV Hitches

IMPORTANT SAFETY INFORMATION

Assembly Precautions

1. Assemble only according to these instructions. Improper assembly can create hazards.
2. Wear ANSI-approved safety goggles and heavy-duty work gloves during assembly.
3. Keep assembly area clean and well lit.
4. Keep bystanders out of the area during assembly.
5. Do not assemble when tired or when under the influence of alcohol, drugs or medication.
6. Weight capacity and other product capabilities apply to properly and completely assembled product only.
7. Contact the Department of Transportation (DOT) and check local regulations for laws regarding the installation and use of this bike rack.

Use Precautions

1. This product is not a toy. Do not allow children to play with or near this item.
2. Use as intended only.
3. Inspect before every use; do not use if parts are loose or damaged.
4. Do not exceed listed weight capacity.
Be aware of dynamic loading!
Sudden load movement may briefly create excess load causing product failure.
5. Maintain product labels and nameplates. These carry important safety information. If unreadable or missing, contact Harbor Freight Tools for a replacement.

Assembly



Read the **ENTIRE IMPORTANT SAFETY INFORMATION** section at the beginning of this document including all text under subheadings therein before set up or use of this product.

NOTE: Refer to assembly diagram on facing page during assembly.

1. Slide the Hitch End of the Linker Brace (1) into the vehicle's trailer hitch and lock with a steel Hitch Pin (4). Fasten Cord (9) to Hitch Pin (4) and Linker Brace (1).
2. Secure the Support Column (2) to the upright part of the Linker Brace (1) with a Bolt (5), Self-Locking Nut (7) and two Washers (6), through the bottom hole and the Hitch Pin (4) through the upper hole.
3. Hold the two Bike Rack (3) sections over the upper end of the Support Column (2) aligning the bolt holes for orientation. Secure this with two Bolts (5), four Washers (6) and two Self-Locking Nuts (7).
4. Fit Cover (10) securely into top of support column, flat side up.
5. Double check all nuts and bolts, making sure they are all tight.

Operation

Note: This rack is designed to hold up to two non-motorized bikes only. Do not carry flammable material on the bike rack.

1. Make sure that the Clamps are facing upwards. Open the straps and place the bicycle's top tube onto the Clamps. Close the straps over the bike, pressing the straps together for a secure hold.
2. Place the second bike facing in the opposite direction and secure it as done in Step 1.
IMPORTANT: Make sure the front of bike(s), when mounted, are at or above the bottom of the bumper to avoid damage to bike(s).
3. The Clamps keep the bike(s) in position, preventing them from sliding back and forth, causing damage. The straps keep the bikes from bumping out of the Clamps. For added security, use a locking chain.

4. Make sure bicycles are securely strapped down before operating the vehicle. During long trips, check straps and bike positioning, especially if traveling on rough terrain. Approved strap tie-downs are also recommended to support the bikes for greater stability during transport.

Note: If you plan to carry only one bike, place it in the position closest to the vehicle.

Note: When the back hatch or tailgate has to be accessed, pull the Hitch Pin (4) out and swing the rack downward, pivoting at the Bolt directly below the Hitch Pin (4).

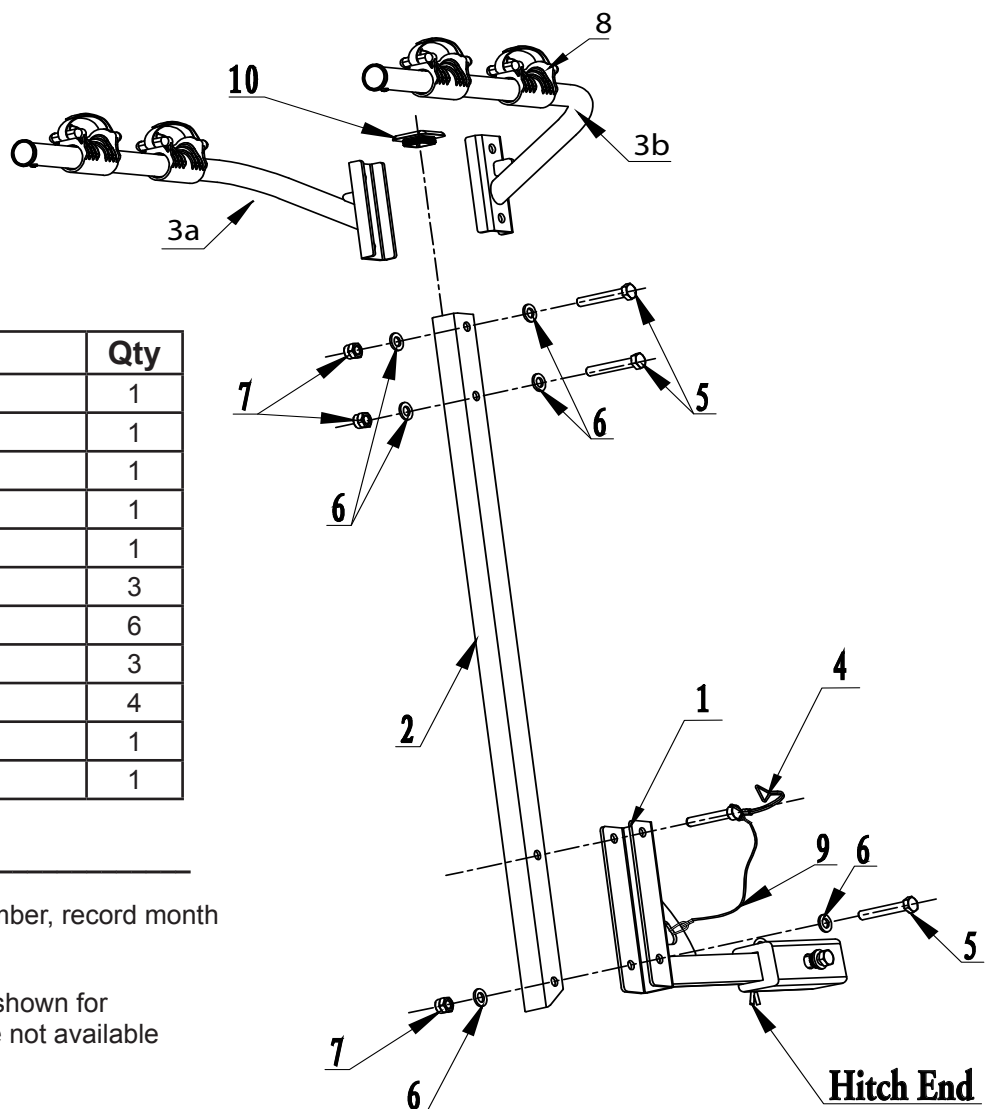
Parts List and Diagram

Part	Description	Qty
1	Linker Brace	1
2	Support Column	1
3a	Bike Rack - Left	1
3b	Bike Rack - Right	1
4	Hitch Pin	1
5	Bolt	3
6	Washer	6
7	Self-Locking Nut	3
8	Clamp	4
9	Cord	1
10	Cover	1

Record Serial Number Here: _____

Note: If product has no serial number, record month and year of purchase instead.

Note: Some parts are listed and shown for illustration purposes only, and are not available individually as replacement parts.



PLEASE READ THE FOLLOWING CAREFULLY

THE MANUFACTURER AND/OR DISTRIBUTOR HAS PROVIDED THE PARTS LIST AND ASSEMBLY DIAGRAM IN THIS DOCUMENT AS A REFERENCE TOOL ONLY. NEITHER THE MANUFACTURER OR DISTRIBUTOR MAKES ANY REPRESENTATION OR WARRANTY OF ANY KIND TO THE BUYER THAT HE OR SHE IS QUALIFIED TO MAKE ANY REPAIRS TO THE PRODUCT, OR THAT HE OR SHE IS QUALIFIED TO REPLACE ANY PARTS OF THE PRODUCT. IN FACT, THE MANUFACTURER AND/OR DISTRIBUTOR EXPRESSLY STATES THAT ALL REPAIRS AND PARTS REPLACEMENTS SHOULD BE UNDERTAKEN BY CERTIFIED AND LICENSED TECHNICIANS, AND NOT BY THE BUYER. THE BUYER ASSUMES ALL RISK AND LIABILITY ARISING OUT OF HIS OR HER REPAIRS TO THE ORIGINAL PRODUCT OR REPLACEMENT PARTS THERETO, OR ARISING OUT OF HIS OR HER INSTALLATION OF REPLACEMENT PARTS THERETO.

Limited 90-Day Warranty

Harbor Freight Tools Co. makes every effort to assure that its products meet high quality and durability standards, and warrants to the original purchaser that this product is free from defects in materials and workmanship for the period of 90 days from the date of purchase. This warranty does not apply to damage due directly or indirectly, to misuse, abuse, negligence or accidents, repairs or alterations outside our facilities, criminal activity, improper installation, normal wear and tear, or to lack of maintenance. We shall in no event be liable for death, injuries to persons or property, or for incidental, contingent, special or consequential damages arising from the use of our product. Some states do not allow the exclusion or limitation of incidental or consequential damages, so the above limitation of exclusion may not apply to you. THIS WARRANTY IS EXPRESSLY IN LIEU OF ALL OTHER WARRANTIES, EXPRESS OR IMPLIED, INCLUDING THE WARRANTIES OF MERCHANTABILITY AND FITNESS.

To take advantage of this warranty, the product or part must be returned to us with transportation charges prepaid. Proof of purchase date and an explanation of the complaint must accompany the merchandise. If our inspection verifies the defect, we will either repair or replace the product at our election or we may elect to refund the purchase price if we cannot readily and quickly provide you with a replacement. We will return repaired products at our expense, but if we determine there is no defect, or that the defect resulted from causes not within the scope of our warranty, then you must bear the cost of returning the product.

This warranty gives you specific legal rights and you may also have other rights which vary from state to state.

