

Owner's Manual & Safety Instructions

Save This Manual Keep this manual for the safety warnings and precautions, assembly, operating, inspection, maintenance and cleaning procedures. Write the product's serial number in the back of the manual near the assembly diagram (or month and year of purchase if product has no number). Keep this manual and the receipt in a safe and dry place for future reference.

18e

PITTSBURGH[®] AUTOMOTIVE

60762

2 Ton Floor Jack Cross Beam



Floor Jack sold separately

Visit our website at: <http://www.harborfreight.com>
Email our technical support at: productsupport@harborfreight.com

When unpacking, make sure that the product is intact and undamaged. If any parts are missing or broken, please call 1-888-866-5797 as soon as possible.

Copyright © 2012 by Harbor Freight Tools®. All rights reserved.

No portion of this manual or any artwork contained herein may be reproduced in any shape or form without the express written consent of Harbor Freight Tools. Diagrams within this manual may not be drawn proportionally. Due to continuing improvements, actual product may differ slightly from the product described herein. Tools required for assembly and service may not be included.

⚠ WARNING

Read this material before using this product. Failure to do so can result in serious injury. SAVE THIS MANUAL.

Specifications

Rated Capacity	4,000 lb.
Compatibility	Pittsburgh® 68048, 68049, 68050, 68056, 60678, 60688, 60706, or 69227

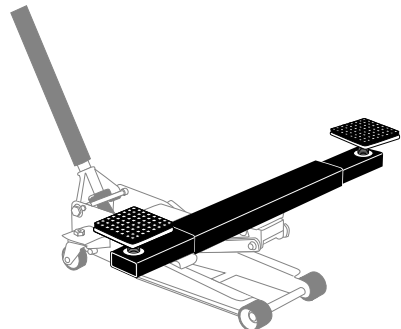
Important Safety Information

Failure to heed these markings may result in personal injury and/or property damage:

1. Study, understand, and follow all instructions before operating this device.
2. Do not exceed 4,000 lb. rated capacity.
3. Ensure load is secured to the device.
4. To be used only with the following: Pittsburgh® 68048, 68049, 68050, 68056, 60678, 60688, 60706, or 69227.
5. Release load locking devices (if employed) slowly and carefully.
6. No alterations shall be made to this product.
7. Adjust pads to keep bar level during lifting.
8. Only use with included safety chains properly connected to prevent overextension.
9. Install and use aligned perpendicular to floor jack body only.
10. Also, study, understand, and follow all **floor jack instructions** before operating this device.
11. Wear ANSI-approved safety goggles and heavy-duty work gloves during use.
12. Do not move or dolly the vehicle while on the cross beam.
13. Use as intended only. Do not use for lifting human weight. Keep clear of raised load. Do not use for aircraft purposes.
14. Lift vehicle only at manufacturer-recommended locations.
15. Inspect before every use; do not use if parts loose or damaged.
16. Lifting device only. Immediately after lifting, support the vehicle with appropriate means.

Assembly Instructions

1. Remove saddle mounting bolt and saddle from floor Jack.
2. Place Cross Beam on floor Jack.
3. **For 2 or 2.5 ton floor jacks, slide Spacer onto Mounting Bolt before installing it.**
4. Install Cross Beam's Mounting Bolt and tighten it securely in place while keeping Cross Beam aligned perpendicular to floor Jack body.



Operation Instructions



Read the **ENTIRE IMPORTANT SAFETY INFORMATION** section at the beginning of this document including all text under subheadings therein before set up or use of this product.

1. Lower both Saddle Pads completely.
2. Align each Saddle Pad under a vehicle lifting point. Center the vehicle's weight over the floor Jack.
3. Use floor Jack to raise Cross Beam until one of the Saddle Pads is about to contact one of the vehicle lifting points.
4. Turn the Saddle Pads to adjust each one until they both contact the lifting points.
5. Stay clear of vehicle, Jack and Cross Beam while slowly raising the vehicle until it is at the desired height.

WARNING! Lift vehicle only at manufacturer-recommended locations.

3. Use floor Jack to raise Cross Beam until one of the Saddle Pads is about to contact one of the vehicle lifting points.
 4. Turn the Saddle Pads to adjust each one until they both contact the lifting points.
 5. Stay clear while lowering the vehicle onto the Jack Stands. Lower the vehicle's weight completely onto Jack Stands before working under it.
- WARNING!** While lifting, make sure that the Cross Beam remains level and the load is centered over the floor Jack.
6. Place two Jack Stands at manufacturer-recommended support points and adjust until they almost contact each support point.
 7. Stay clear while lowering the vehicle onto the Jack Stands. Lower the vehicle's weight completely onto Jack Stands before working under it.

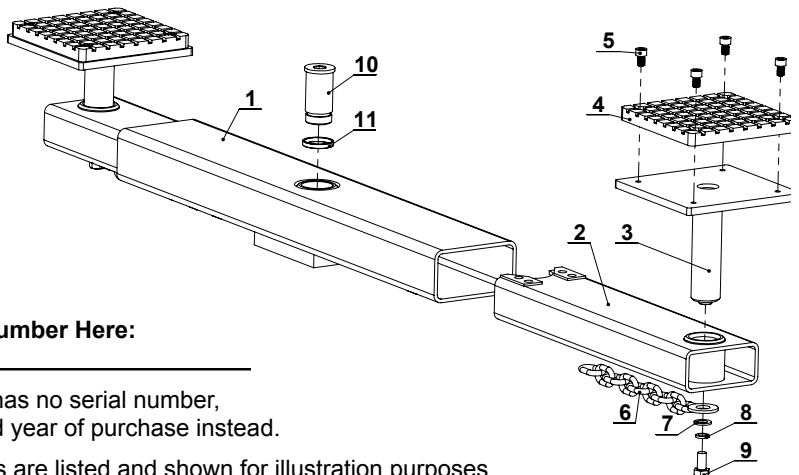
Parts List and Diagram

Part	Description	Qty
1	Housing	1
2	Extension	2
3	Saddle	2
4	Saddle Pad	2

Part	Description	Qty
5	Bolt	8
6	Chain	2
7	Washer	2
8	Spring Washer	2

Part	Description	Qty
9	Chain Bolt	2
10	Mounting Bolt	1
11	Spacer*	1

*For 2 and 2.5 ton jack mounting.



Record Serial Number Here:

Note: If product has no serial number, record month and year of purchase instead.

Note: Some parts are listed and shown for illustration purposes only, and are not available individually as replacement parts.

PLEASE READ THE FOLLOWING CAREFULLY

THE MANUFACTURER AND/OR DISTRIBUTOR HAS PROVIDED THE PARTS LIST AND ASSEMBLY DIAGRAM IN THIS DOCUMENT AS A REFERENCE TOOL ONLY. NEITHER THE MANUFACTURER OR DISTRIBUTOR MAKES ANY REPRESENTATION OR WARRANTY OF ANY KIND TO THE BUYER THAT HE OR SHE IS QUALIFIED TO MAKE ANY REPAIRS TO THE PRODUCT, OR THAT HE OR SHE IS QUALIFIED TO REPLACE ANY PARTS OF THE PRODUCT. IN FACT, THE MANUFACTURER AND/OR DISTRIBUTOR EXPRESSLY STATES THAT ALL REPAIRS AND PARTS REPLACEMENTS SHOULD BE UNDERTAKEN BY CERTIFIED AND LICENSED TECHNICIANS, AND NOT BY THE BUYER. THE BUYER ASSUMES ALL RISK AND LIABILITY ARISING OUT OF HIS OR HER REPAIRS TO THE ORIGINAL PRODUCT OR REPLACEMENT PARTS THERETO, OR ARISING OUT OF HIS OR HER INSTALLATION OF REPLACEMENT PARTS THERETO.

Limited 90 Day Warranty

Harbor Freight Tools Co. makes every effort to assure that its products meet high quality and durability standards, and warrants to the original purchaser that this product is free from defects in materials and workmanship for the period of 90 days from the date of purchase. This warranty does not apply to damage due directly or indirectly, to misuse, abuse, negligence or accidents, repairs or alterations outside our facilities, criminal activity, improper installation, normal wear and tear, or to lack of maintenance. We shall in no event be liable for death, injuries to persons or property, or for incidental, contingent, special or consequential damages arising from the use of our product. Some states do not allow the exclusion or limitation of incidental or consequential damages, so the above limitation of exclusion may not apply to you. THIS WARRANTY IS EXPRESSLY IN LIEU OF ALL OTHER WARRANTIES, EXPRESS OR IMPLIED, INCLUDING THE WARRANTIES OF MERCHANTABILITY AND FITNESS.

To take advantage of this warranty, the product or part must be returned to us with transportation charges prepaid. Proof of purchase date and an explanation of the complaint must accompany the merchandise. If our inspection verifies the defect, we will either repair or replace the product at our election or we may elect to refund the purchase price if we cannot readily and quickly provide you with a replacement. We will return repaired products at our expense, but if we determine there is no defect, or that the defect resulted from causes not within the scope of our warranty, then you must bear the cost of returning the product.

This warranty gives you specific legal rights and you may also have other rights which vary from state to state.

PITTSBURGH[®] AUTOMOTIVE